

liteServer® Ex.micro



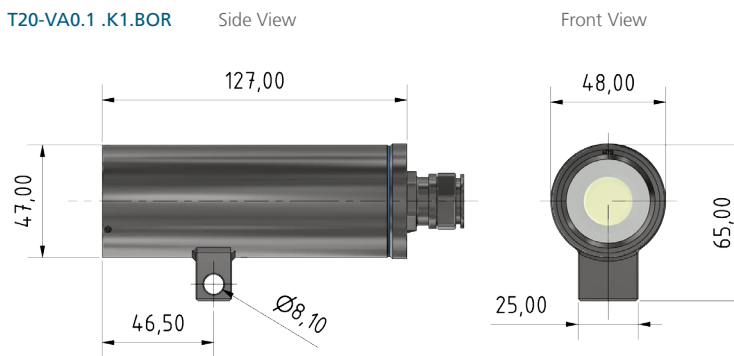
Datasheet.

Worldwide the **Smallest LED Luminaire for Hazardous Areas** in its Class.

Features.

- ✓ Certified for Hazardous Areas (ATEX, IECEx and more...)
- ✓ Protection Level IP66/68
- ✓ Efficient Long-Life LED-Technology
- ✓ Available in **White-** and **Infrared-Light** Versions
- ✓ Ultracompact **Stainless Steel** Housing
- ✓ Integrated **EMC-Filter** (acc. EN55015 and FCC part 15)

Dimensions.



Product.

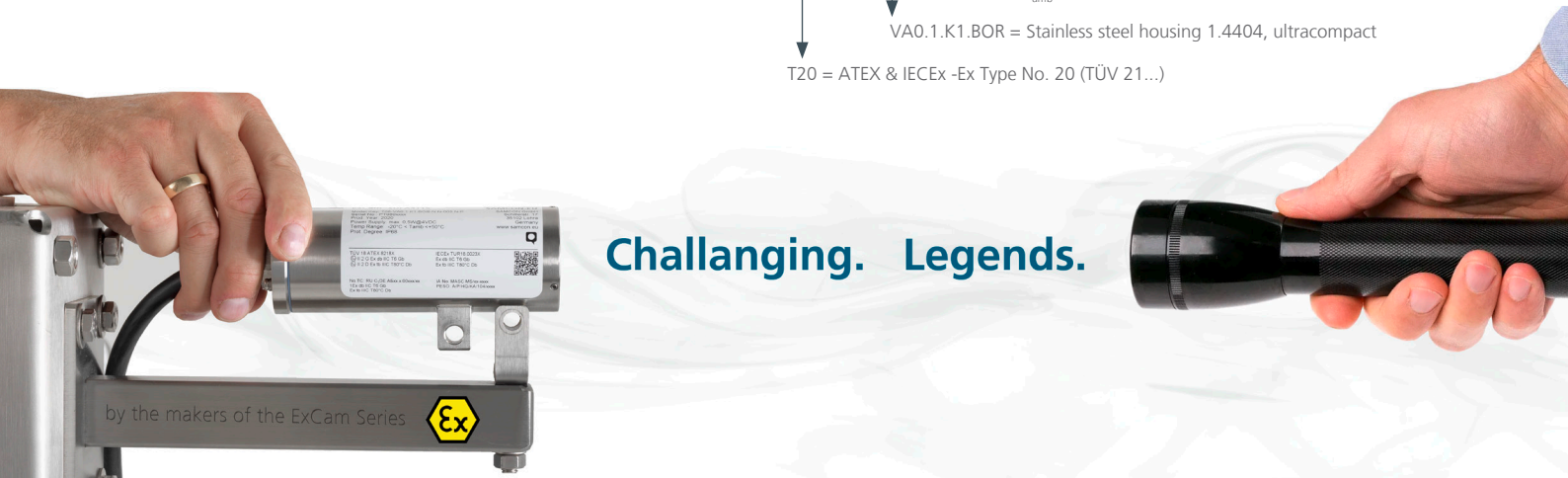
Ex.micro.24.XX.⁹⁰ (Mining)

- Beam angle = 90°
- Light color: WL = White light LED
IR = Infrared light LED
- Power supply = 24 VDC
- LED Luminaire in ultracompact stainless steel housing

Model.

T20 - VA0.1.K1.BOR- L.N- XXX.X- K

- VA0.1.K1.BOR = Stainless steel housing 1.4404, ultracompact
- L.N = No heating / no cooling system integrated (T_{amb} = -30°C to +50°C)
- XXX.X = Cable type 1 = PC3G0,75-T
— = Length of connection cable in meters (005 to 100)
- K = Termination for terminal blocks
- T20 = ATEX & IECEx -Ex Type No. 20 (TÜV 21...)



Challenging. Legends.

by the makers of the ExCam Series



Data.



Explosion protection
Declaration of conformity:

ENIEC/GOST... 60079-0, ENIEC/GOST... 60079-1,
ENIEC/GOST... 60079-28, ENIEC/GOST... 60079-31
TUEV-21-ATEX-8696X, IECEX-TUR-22.0076X
TUEV-24-UKEX-7178X



Ex- certificates:



Ex- marking:
Explosion protection (gas):
Explosion protection (dust):
Explosion protection (mining):

II 2G Ex db IIC T5 Gb
 II 2D Ex tb IIIC T95°C Db
 I M2 Ex db I Mb*



Mechanical characteristics

Housing material:
Protection level:
Weight:

Stainless steel (AISI 316L/1.4404)
IP 66/68 (IEC / EN 60529)
1.4 kg



Temperature range

-30°C to +50°C



Connection cable

Outer diameter:
Min. bending radius:
Temp. range at point of installation:
Temp. range fix installed:
Other characteristics:

ÖLFLEX HEAT 125MC 3Gx0.75mm²
6.8 mm
15 x outer diameter at installation; 4 x outer diameter after installation
-35°C to +120°C
-55°C to +125°C
Halogen free, UV resistant and flame retardant (EN60332-3)



Schillerstraße 17
D-35102 Lohra-Altenvers

info@samcon.eu
T: +49 6426 9231-0
F: +49 6426 9231-31

Illuminant

...Ex.micro.24...	...WL...	...IR...
LED type	High power 12.5W COB-LED	High power 12W IR SMD-LED
Luminous flux	1930lm	4120mW
Beam angle	90°	90°
Color temperature	5000K (neutral white)	
Infrared centroid wavelength		850nm Infrared centroid wavelength
Power supply	24 VDC	24 VDC
Power consumption max.	12.9W@24VDC	12.7 W@24VDC
Protection switch-mode power supply	Short circuit protection (40V _{max}) Over temperature protection (+145°C) EMC filter (EN55015/FCC part15)	Short circuit protection (46V _{max}) Over temperature protection (+145°C) EMC filter (EN55015/FCC part15)

* = Mining only for variants with special cable gland (liteServer Ex.micro Mining)

