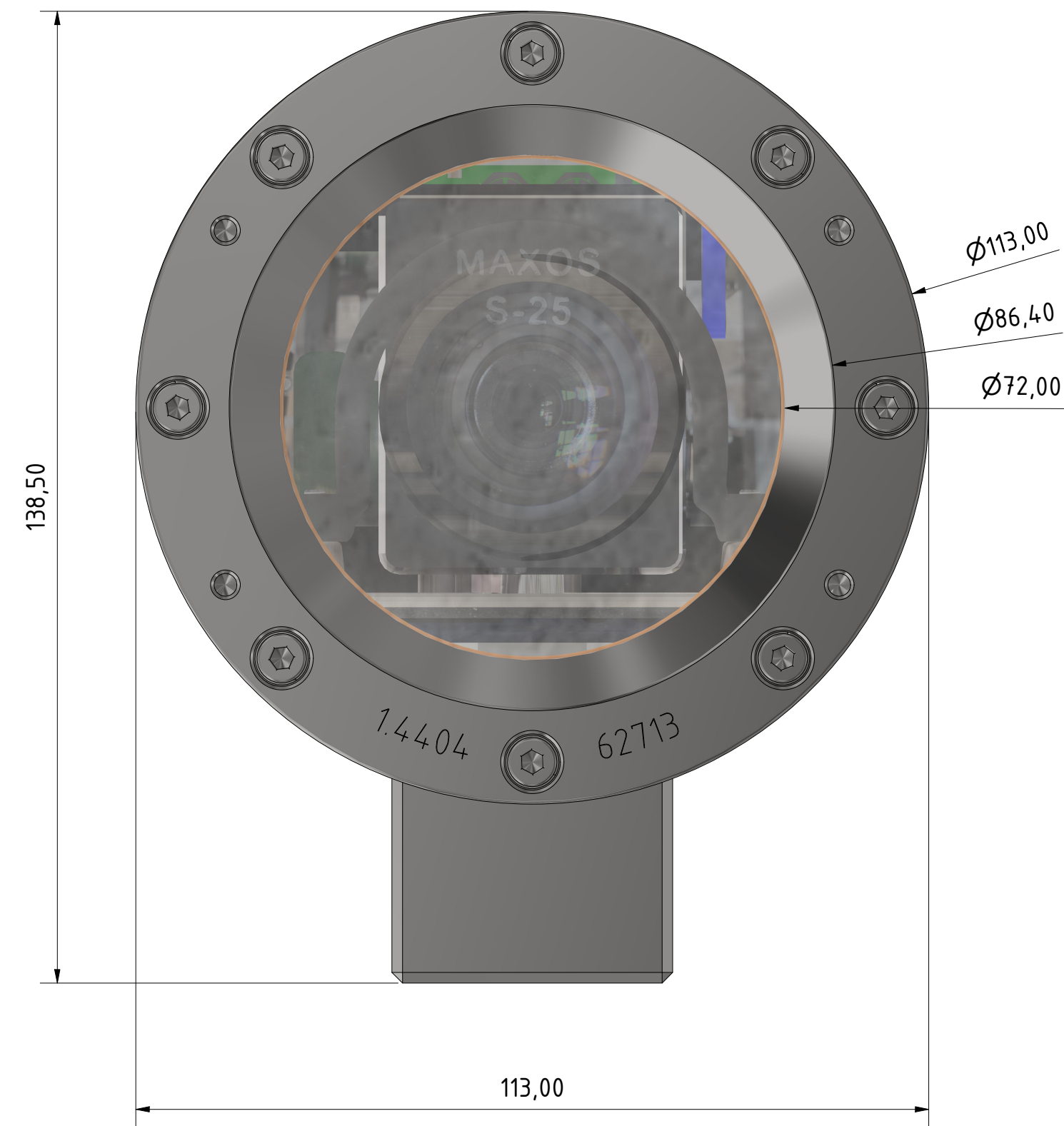
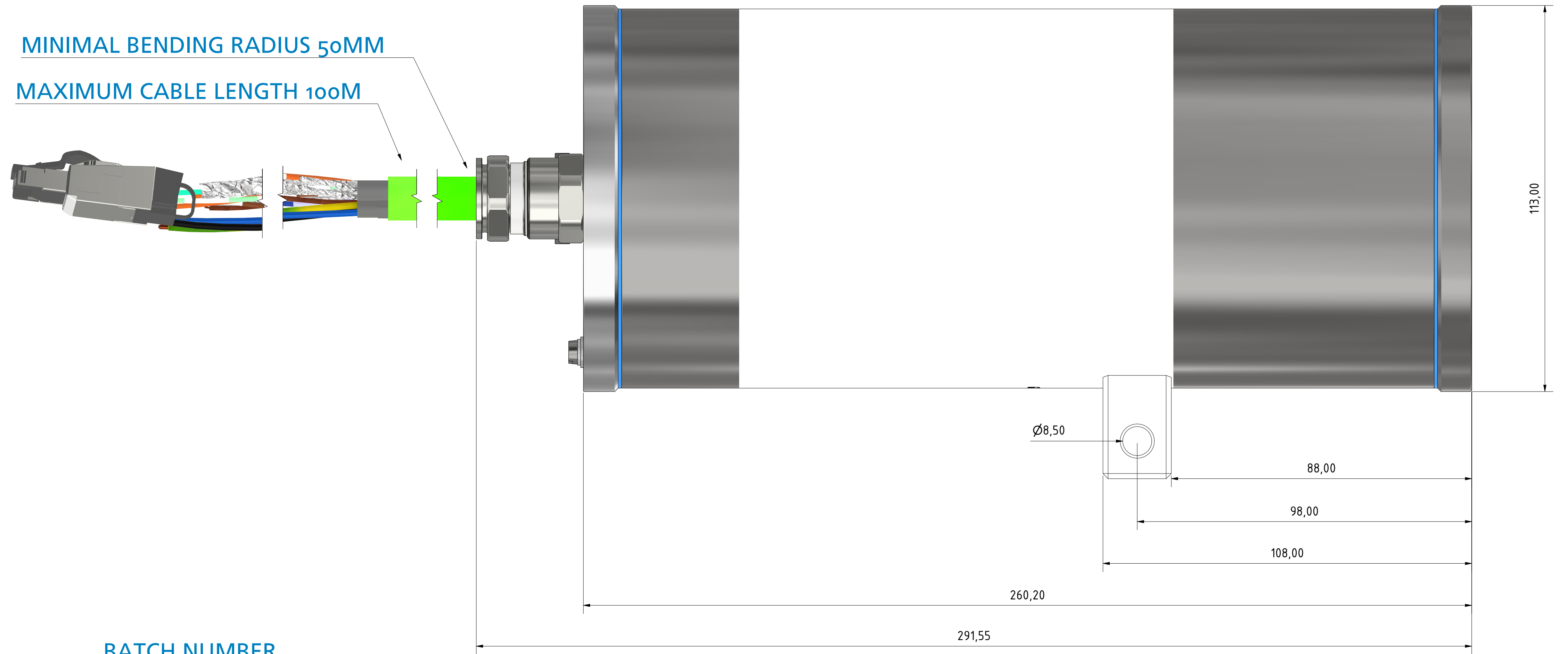


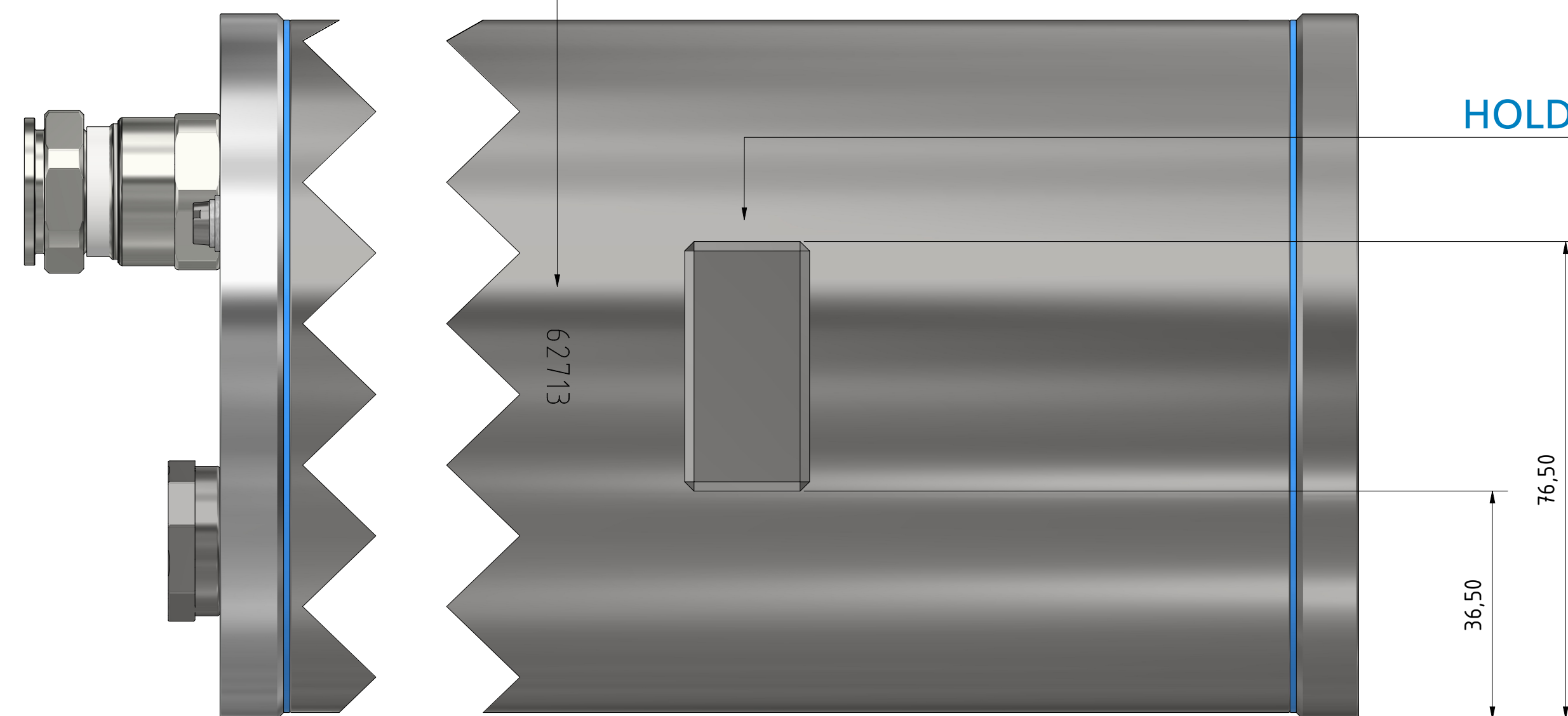
EXCAM IPQ1715 - TECHNICAL DRAWING



MINIMAL BENDING RADIUS 50MM
 MAXIMUM CABLE LENGTH 100M



BATCH NUMBER EX D ENCLOSURE



DRAWN	Thiemo Gruber	08.09.2022		
CHECKED			TITLE	
QA				
MFG				
APPROVED				
			SIZE	DWG NO
			D	220908-ET081PQ1715-TECHNICAL
			SCALE	DRAWING
			1.3 : 1	REV
				SHEET 1 OF 1