



SAMCON

Prozessleittechnik GmbH

Assembly Instruction

product: SCH-VA2.3 (hinge attachment)
author: S. Weber
date: Feb. 04, 2021
doc ID: 210204-PZUMA-SW-SCH-VA2.3_assembly
instruction_rev.oo.idw
passing:

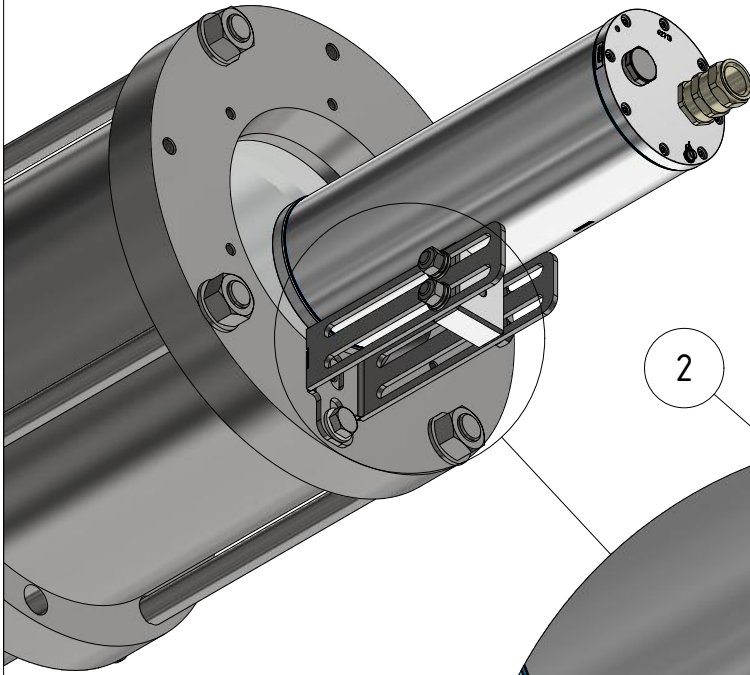


INTRO

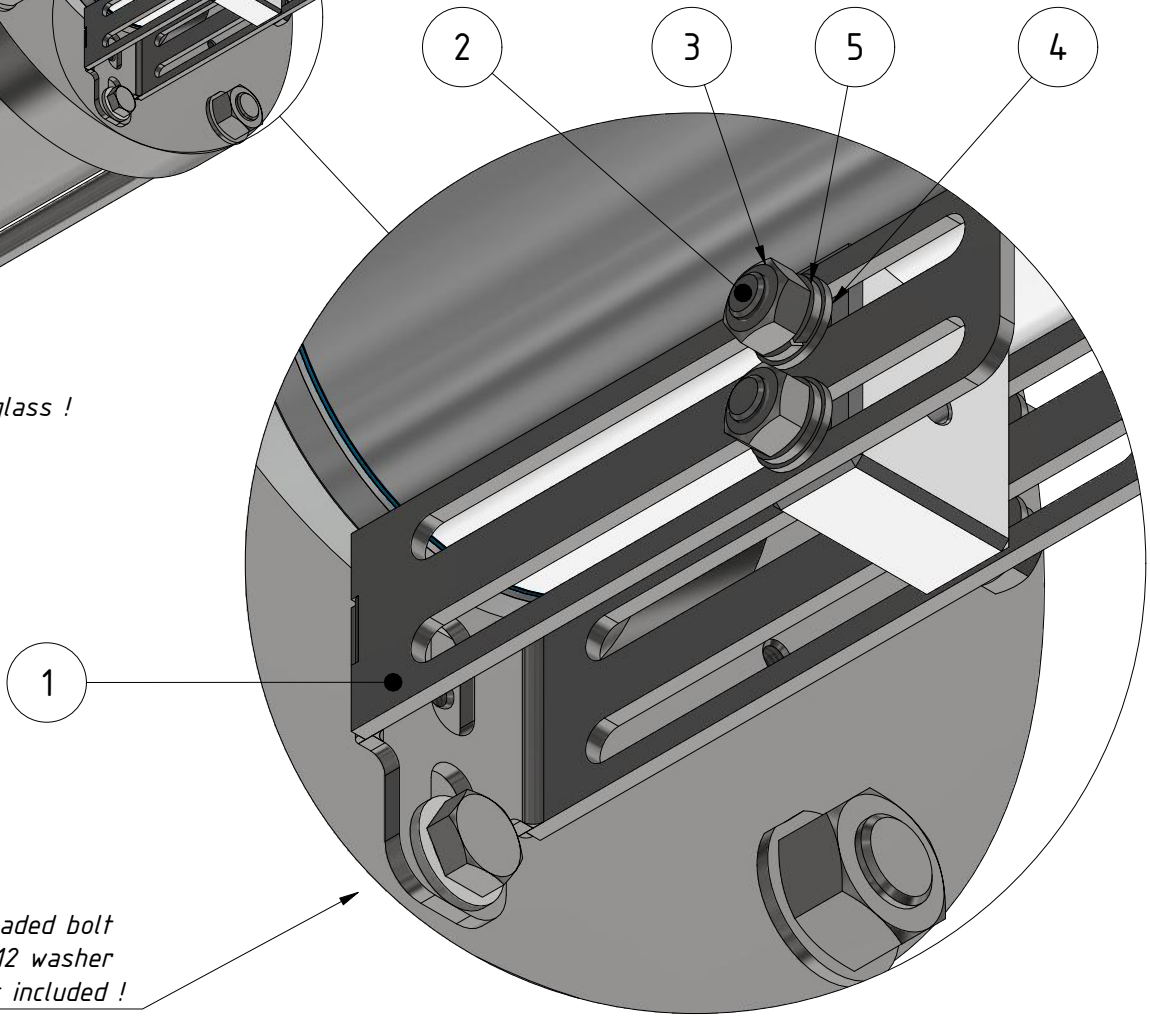


What you need:	
Wrench	13mm
Torque-wrench	13mm

ATTENTION:
Please be careful when working at heights !



Example sight glass !



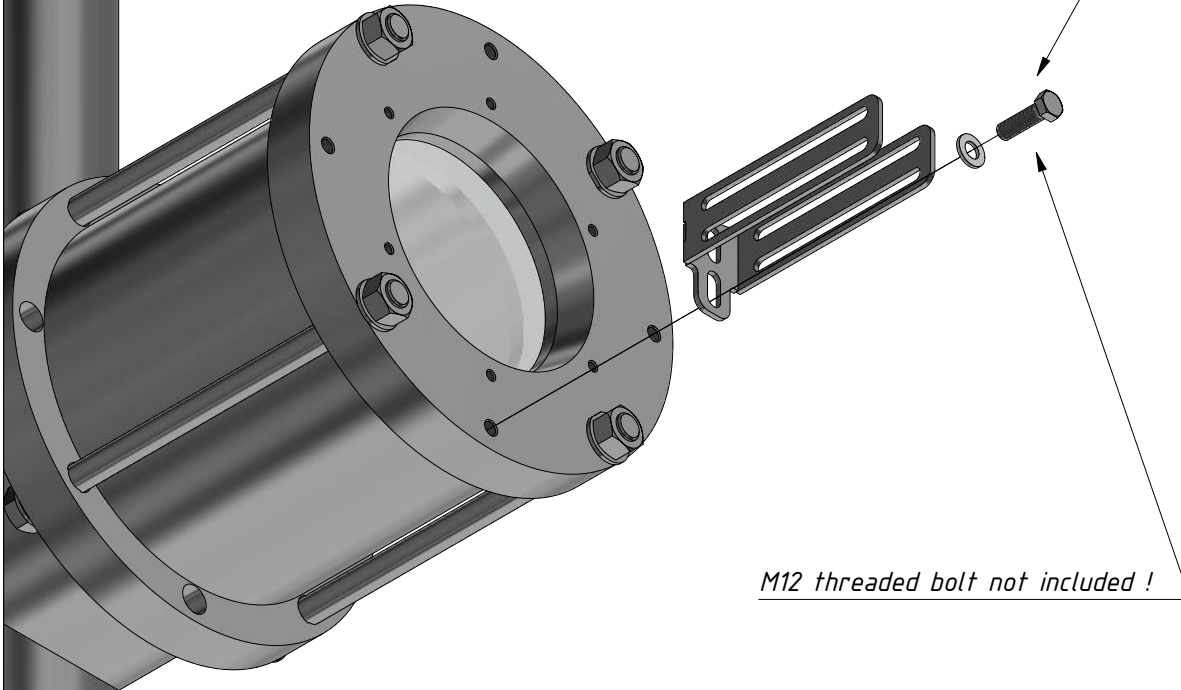
*M12 threaded bolt
+ M12 washer
not included !*

Table of content

obj.	qty.	part	material
1	1	SCH-VA2.3 (hinge attachment)	stainless steel
2	2	Threaded bolt DIN 933 - M8 x 60	stainless steel
3	2	Nnut ISO 4032 - M8	stainless steel
4	4	Washer DIN 433 - 8,4	stainless steel
5	2	Washer DIN 7980 - A8	stainless steel

1

note specific torque !

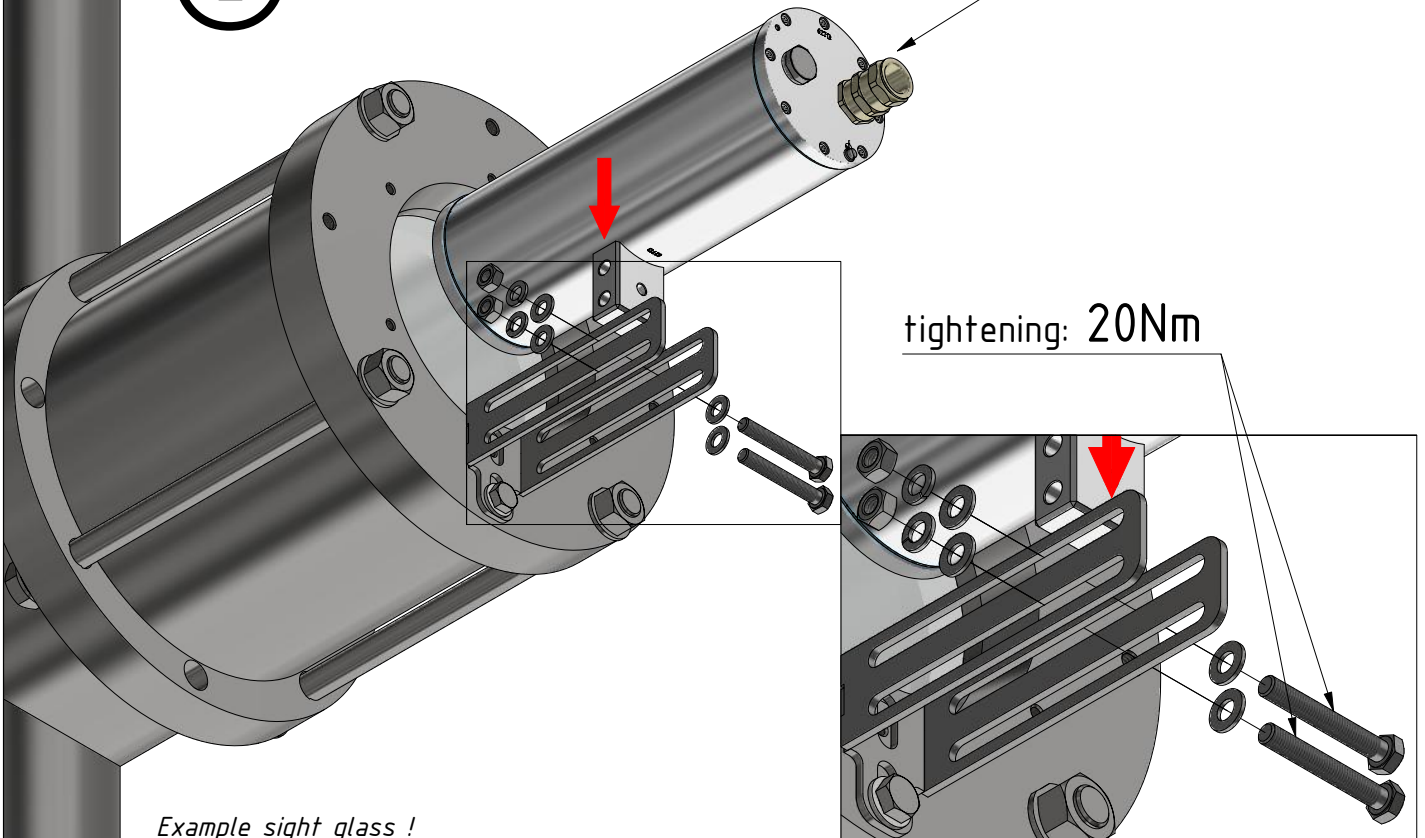


M12 threaded bolt not included !

Example sight glass !

2

Adjust, if necessary !



tightening: 20Nm

Example sight glass !



SAMCON

Prozessleittechnik GmbH

