



# SAMCON

Prozessleittechnik GmbH

## Assembly Instruction

product: WMB-VA2.1 / 2.2

author: S. Weber

date: March 20, 2019

doc ID: 190320-PZUMA-SW-WMB-VA2.1\_2.2\_assembly  
instruction\_rev.oo.idw

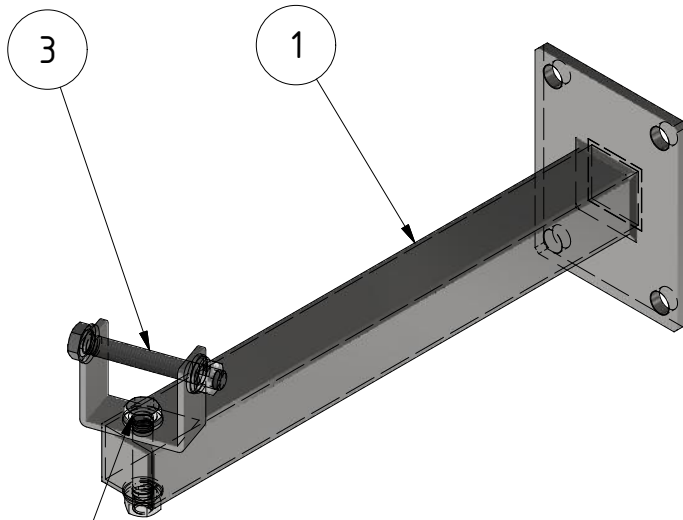
passing:



# INTRO



What you need:	
Wrench	13mm
Torque -wrench	13mm



## ATTENTION:

Please be careful when working at heights !

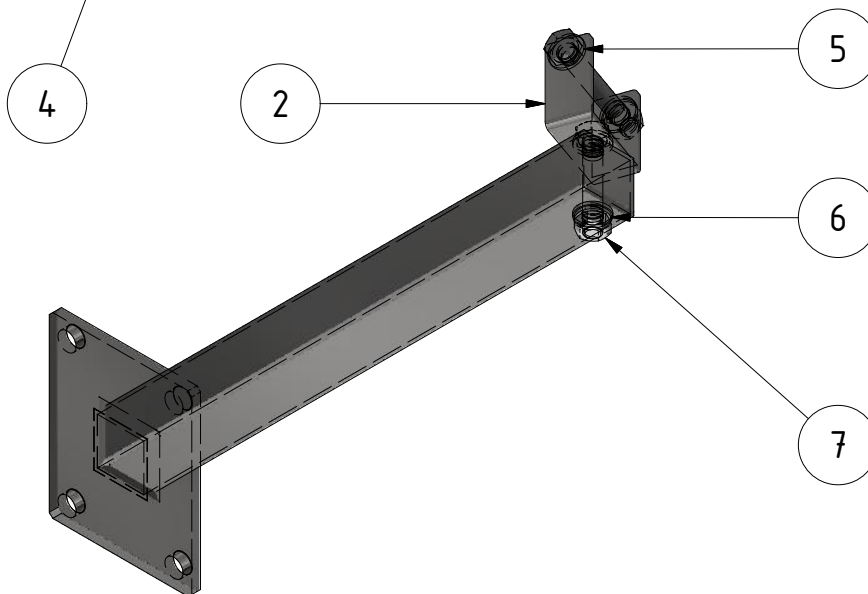
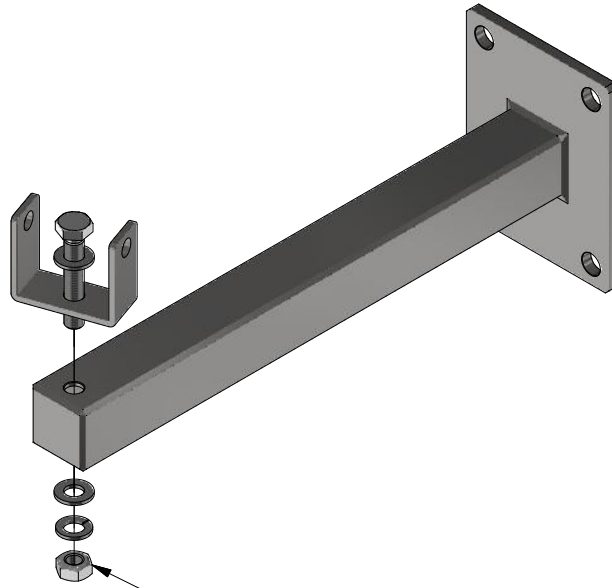


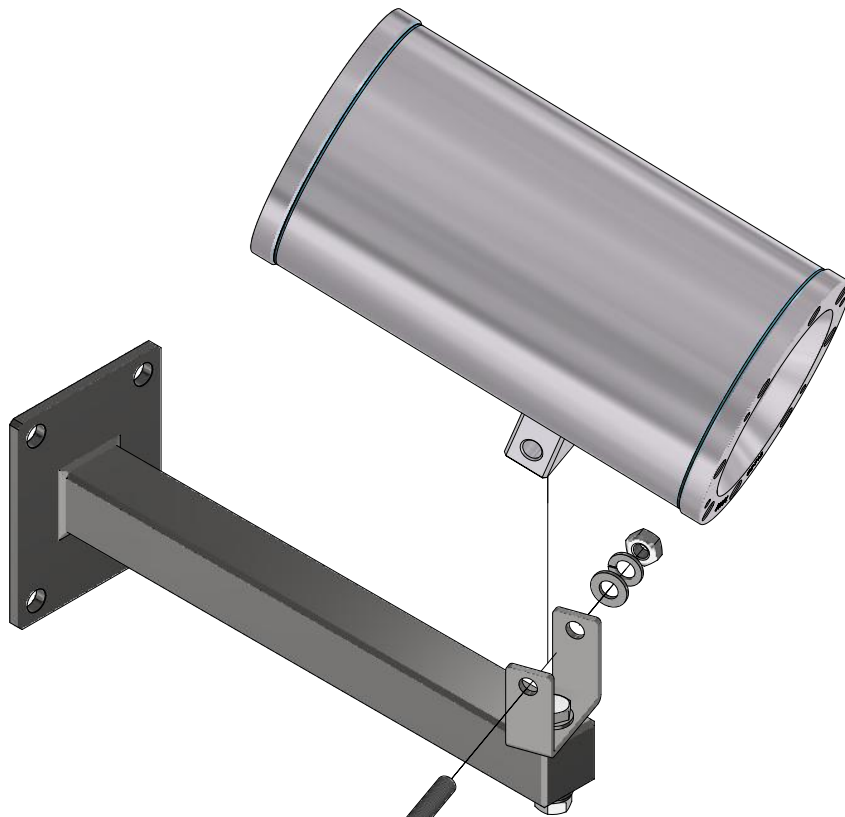
Table of content			
obj.	qty.	part	material
1	1	WMB-VA2.1 / 2.2	stainless steel
2	1	WMB-VA2.1 / 2.2 fastening sheet	stainless steel
3	1	Threaded bolt DIN 933 - M8 x 60	stainless steel
4	1	Threaded bolt DIN 933 - M8 x 45	stainless steel
5	4	Washer DIN 433 - A 8,4	stainless steel
6	2	Washer DIN 7980 - A8	stainless steel
7	2	Nut ISO 4032 - M8	stainless steel

1



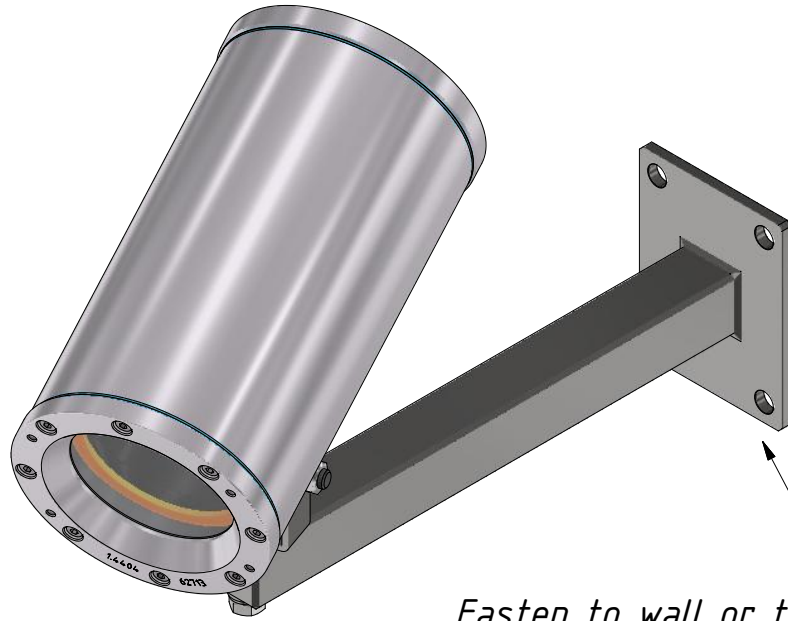
tightening: 15Nm

2



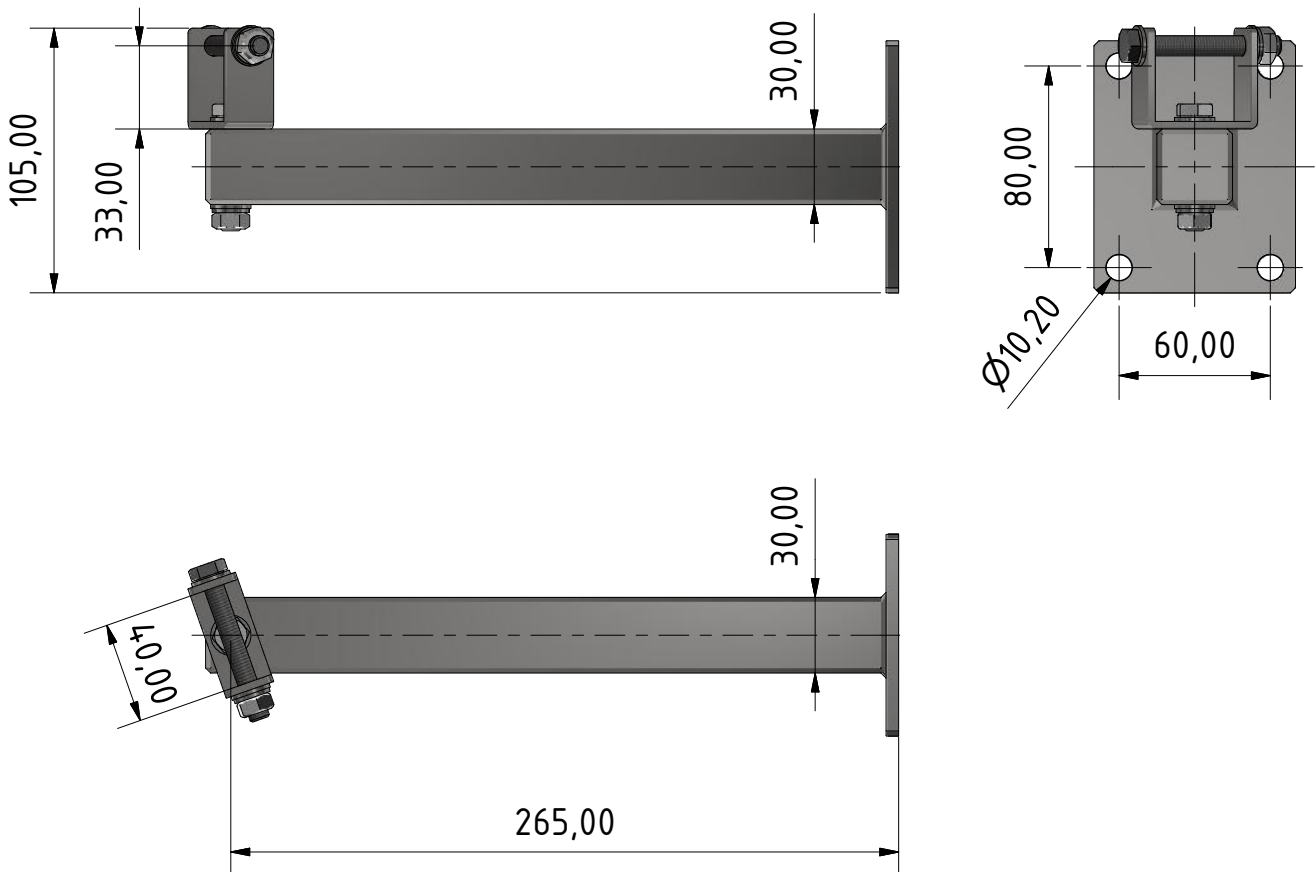
tightening: 15Nm

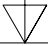
3



*Fasten to wall or to  
PMB (pole mount bracket) !*

4





Note:  
For more information see  
other assambly instructions !







**SAMCON**

Prozessleittechnik GmbH

