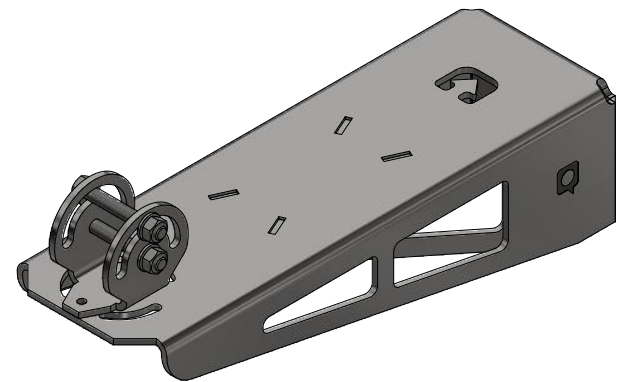


(1 : 5)



Attention, all dimensions in mm!

(Application) IECEX (T0x) Technical drawing for mechanical components suppliers/manufacturers		(all. Deviation) Tolerance class f according to ISO 2768-1 Tolerance class H according to ISO 2768-2	(Surface) Roughness: Ra ≤ 6,3 µm (ISO 468) (DIN EN 60079-1 2004: paragraph 5.2.2)	Scale: 1 : 3 Material: Stainless steel 1.4404	Mass: 6,413 kg	
				Materialnumber: (Component)		
				WMB ExCam VA2.3		
						(Drawing number)
						Doc.-ID: 191125-TAU-SW-WMB ExCam VA2.3_rev.00.idw
Status	Changes	Date	Name			



1
A3