



SAMCON

Prozessleittechnik GmbH

Assembly instruction

product: air.Blade-VA2.x

author: S. Weber

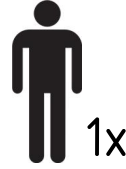
date: May 17, 2021

doc ID: 210517-PZUMA-SW-air.Blade-VA2.x_assembly
instruction_rev.oo.idw

passing:



INTRO



What you need:	
Allen wrench	3,0 mm
Tourque-allen wrench	3,0 mm

ATTENTION:
Please be careful when working at heights !

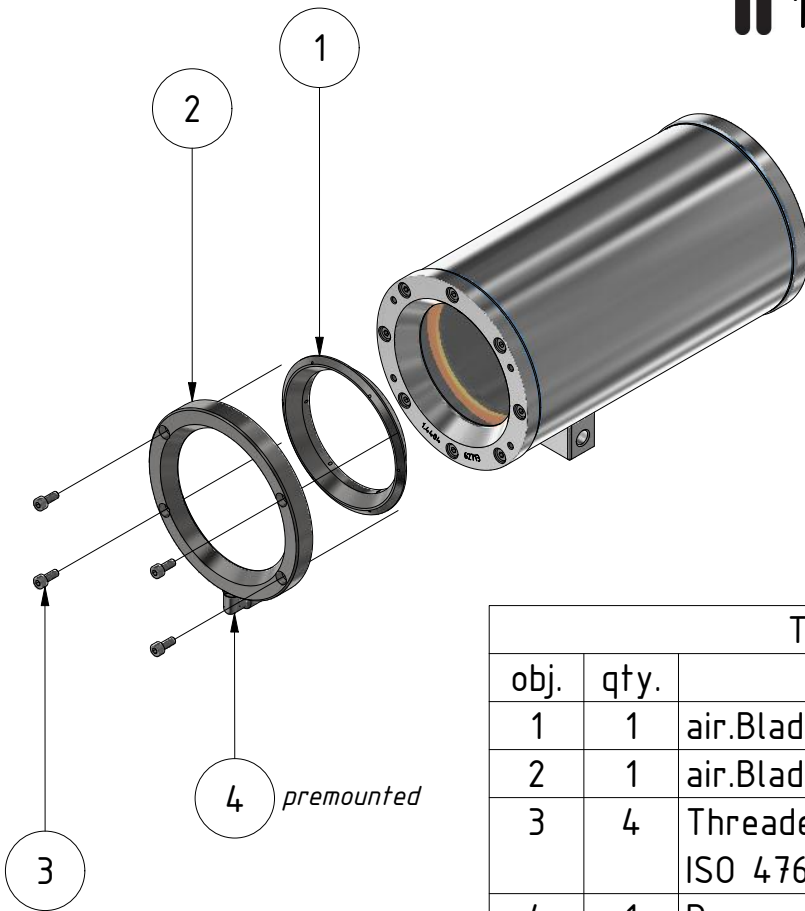
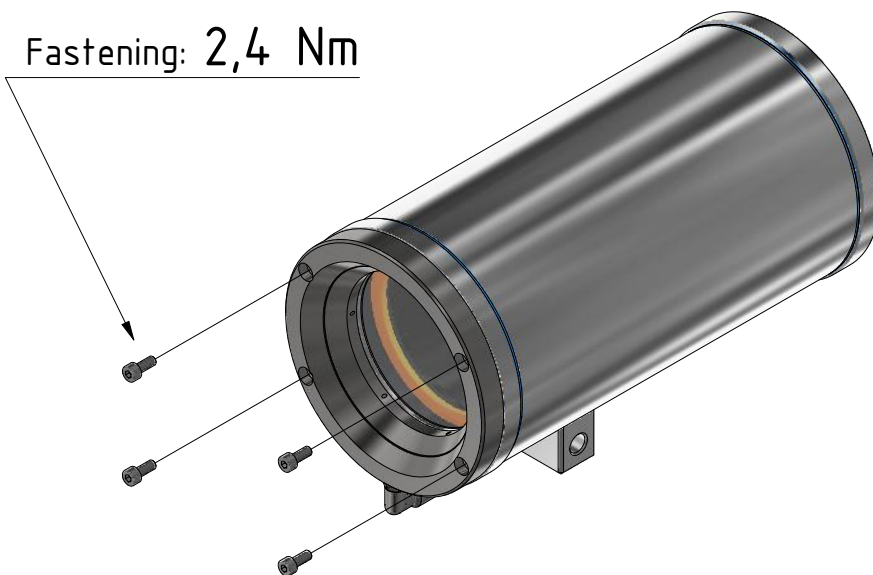


Table of content			
obj.	qty.	part	material
1	1	air.Blade inner part	Stainless steel
2	1	air.Blade outer part	Stainless steel
3	4	Threaded bolt DIN EN ISO 4762 - M4 x 10	Stainless steel
4	1	Pneumatic plug 6mm	Stainless steel

1

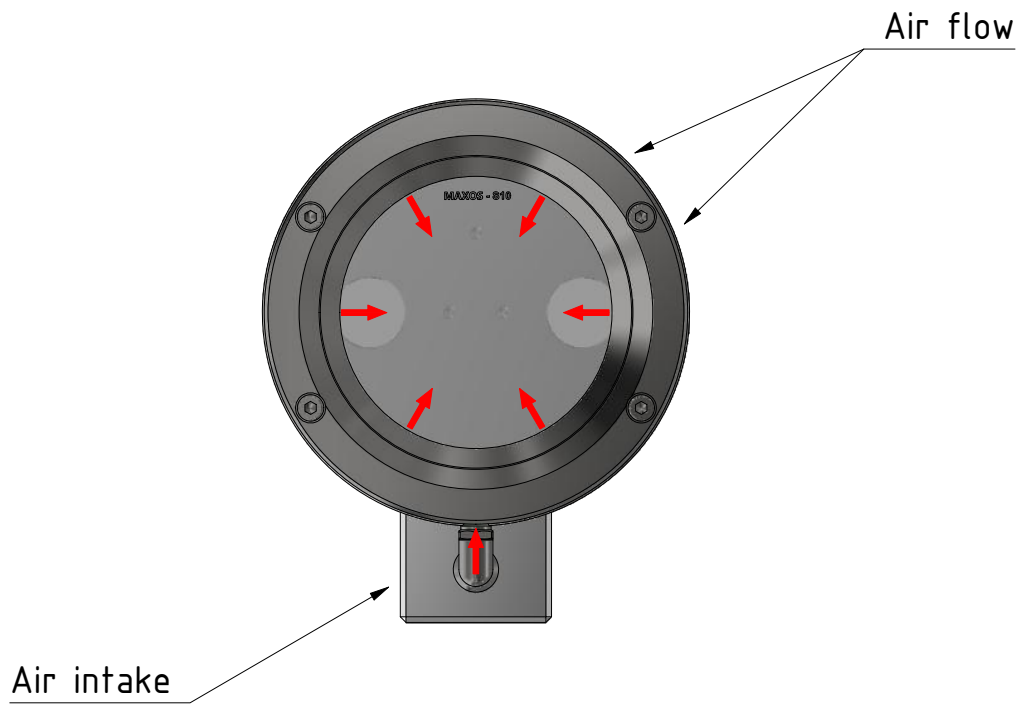
Fastening: 2,4 Nm



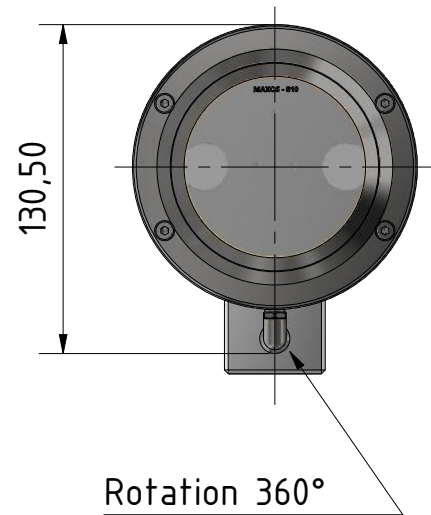
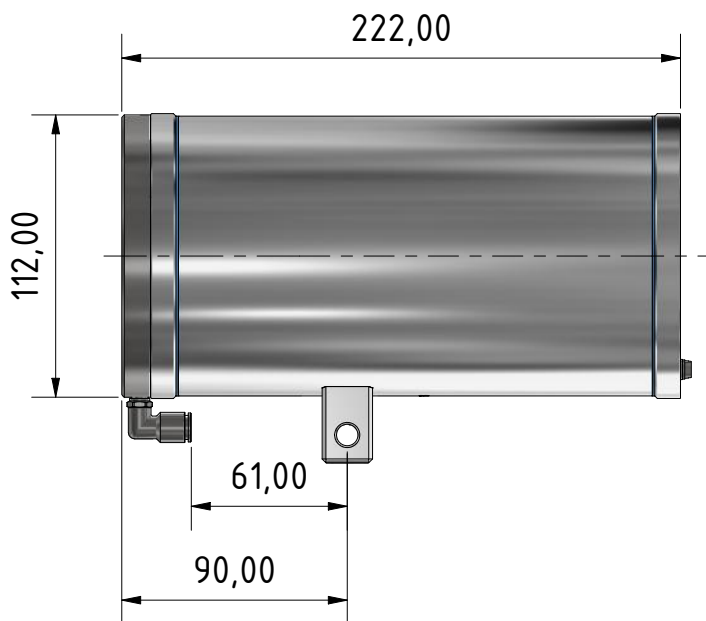
Use Loctite 243 thread lock !



2



Dimensions VA2.1.K1.B0R:



Note:
For more information visit
www.samcon.eu !



SAMCON

Prozessleittechnik GmbH

