



SAMCON

Prozessleittechnik GmbH

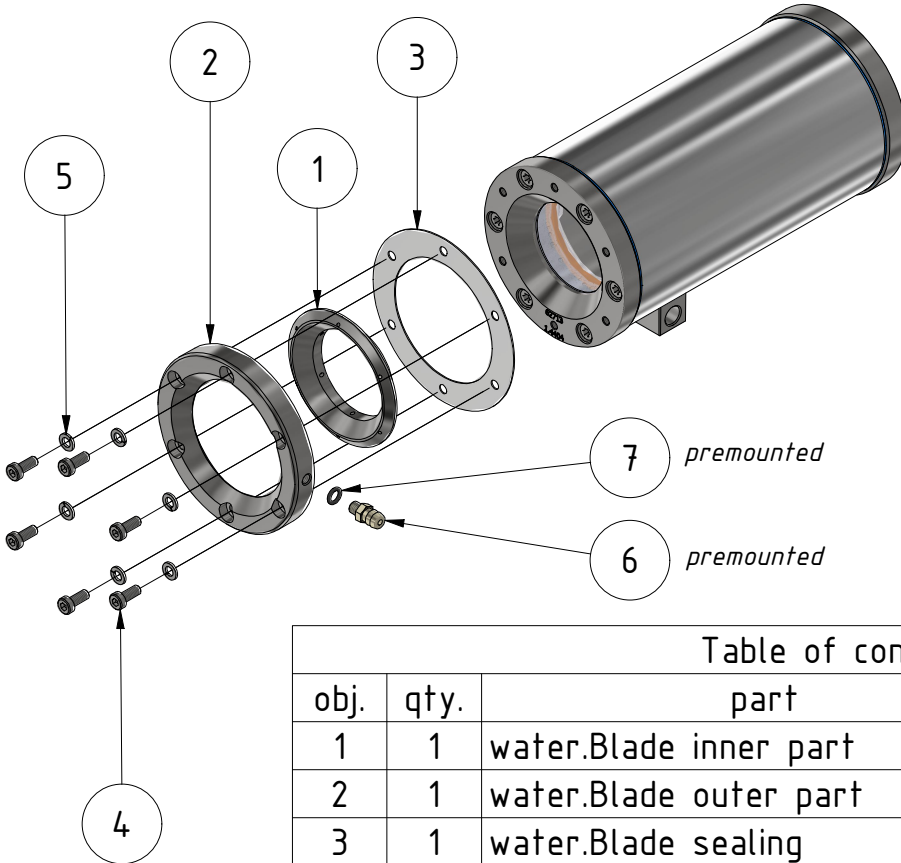
Assembly instruction

product: water.Blade-VA1.x
author: S. Weber
date: Jan 20, 2022
doc ID: 220120-PT95MA-SW-water.Blade-VA1.x_assembly
instruction_rev.oo.idw
passing:



INTRO

What you need:	
Allen wrench	2,5 mm
Tourque-allen wrench	2,5 mm



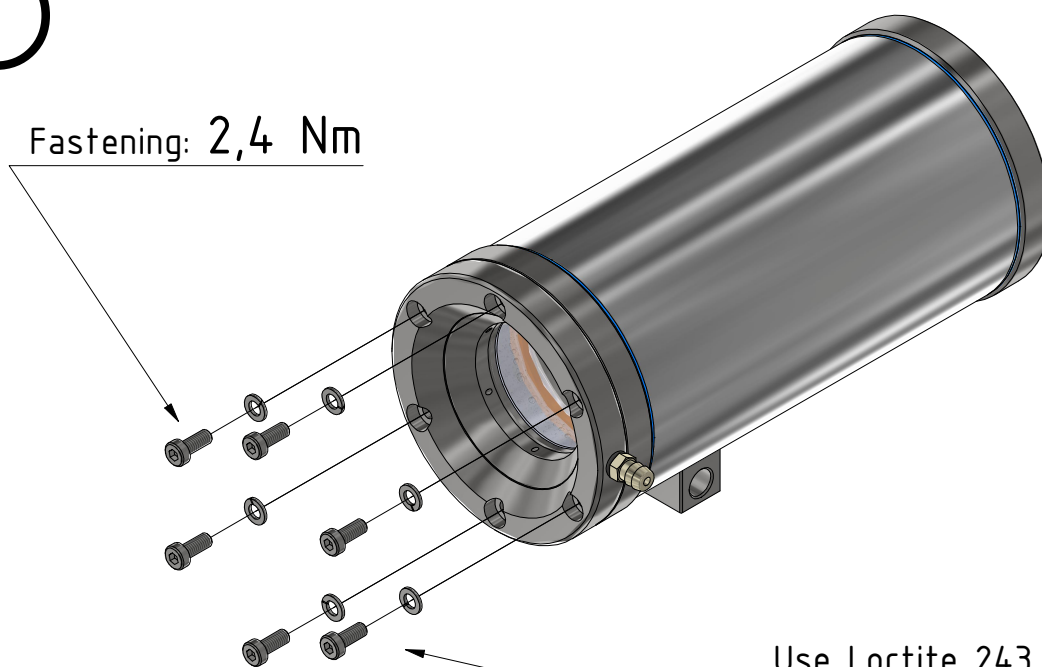
ATTENTION:
Please be careful when working at heights !



Table of content			
obj.	qty.	part	material
1	1	water.Blade inner part	Stainless steel
2	1	water.Blade outer part	Stainless steel
3	1	water.Blade sealing	PTFE
4	6	Threaded bolt DIN 7984 - M4x10	Stainless steel
5	6	Washer DIN 127 - A 4	Stainless steel
6	1	Hose tail (6 mm)	Nickel-plated brass
7	1	O-ring sealing	NBR-70

1

Fastening: 2,4 Nm

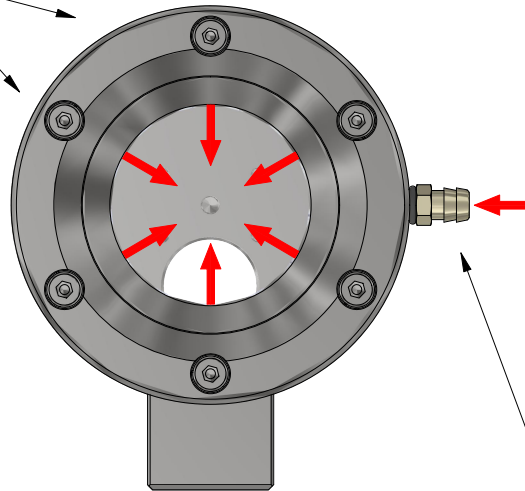


Use Loctite 243 thread lock !



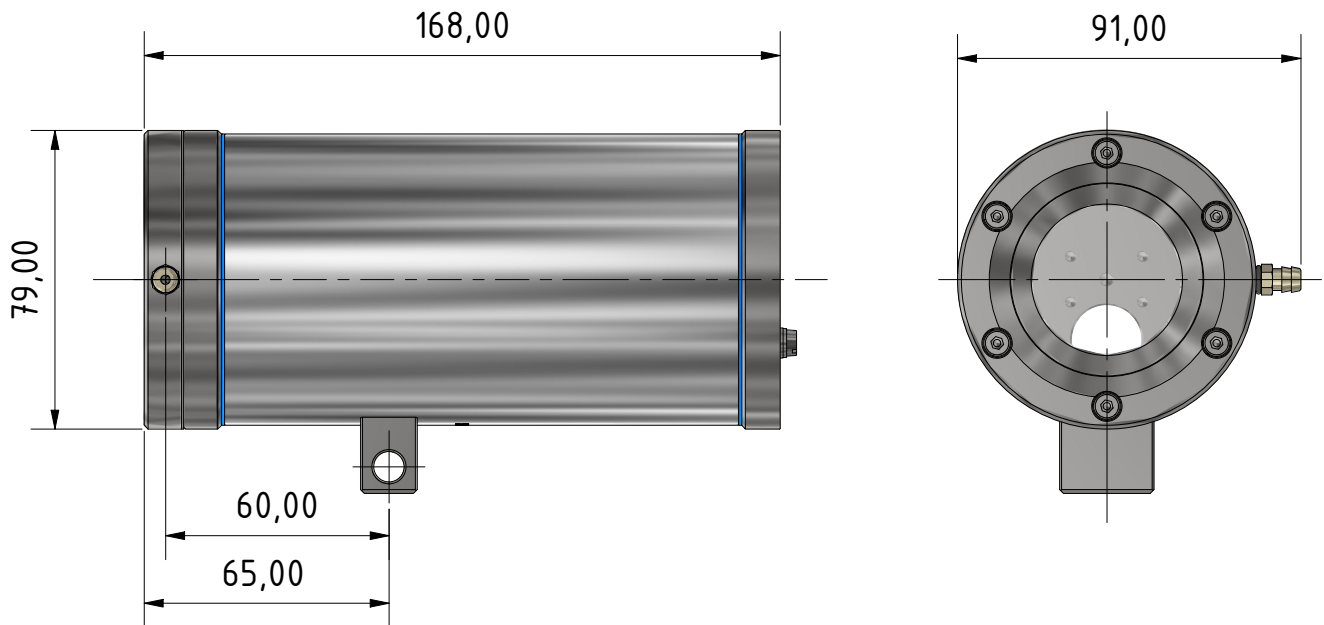
2

Water flow



Water intake

Dimensions VA1.2.K1.B0R:



Note:

For more information visit
www.samcon.eu !



SAMCON

Prozessleittechnik GmbH

