

ExCam[®] niteZoom



Ultra Compact ATEX, IECEx & EAC-Ex certified Day/Night Motor Zoom Camera

Feature-Highlights.

- ✓ ATEX, IECEx & EAC-Ex certified
- ✓ Day & Night (IRC) Functionality
- ✓ Dynamic and Modular PTC-Heater-Concept (-60°C)
- ✓ One-Cable-Solution
- ✓ 10 x Zoom, Autofocus & Autoiris
- ✓ Extreme Light-Sensitive 0,0004Lx (Auto ICR On)
- ✓ Ultra Compact Design
- ✓ On-Site Control via. **direct.Control** - Option
- ✓ 1/3" Super HAD™ CCD Sensor



Zones.

Group I (Mining)	ATEX / IECEx / EAC-Ex	
Category	Ma	Mb
Suitable	✗	✓

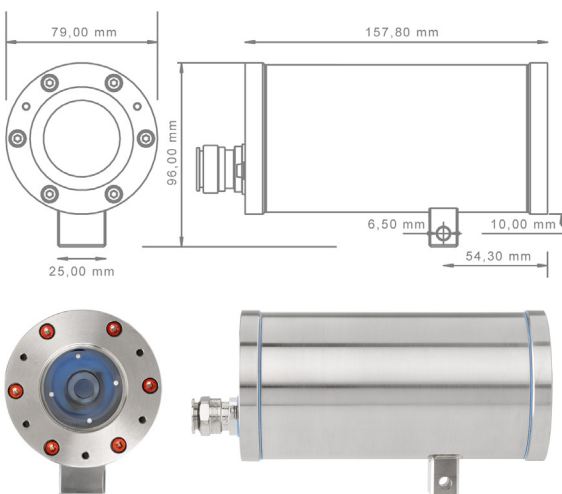
Group II (Gas & Dust)	ATEX / IECEx / EAC-Ex				
Zone	0	1	2	21	22
Suitable	✗	✓	✓	✓	✓

Further certifications upon request.

Dimension.

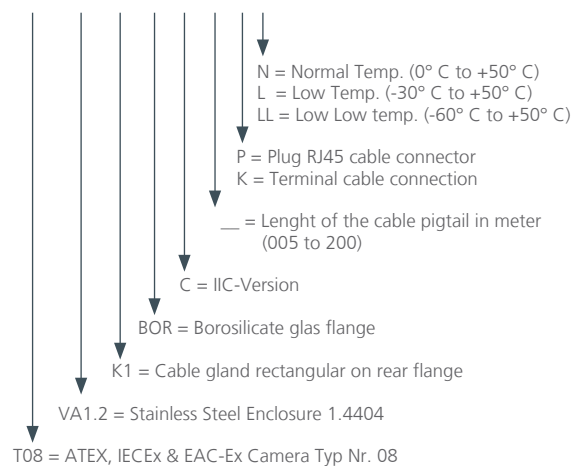
T08-VA1.2.X.X Front view:

View from the left side:



Models.

T08-VA.1.2.K1.BOR-C-XXX-X-X



Options.

- direct.Control = Direct control of the camera by using dry contacts
- NTSC = NTSC version of the ExCam niteZoom

Datasheet.

Explosion protection

Declaration of conformity:

DIN EN 60079-0:2012,
DIN EN 60079-1:2007,
DIN EN 60079-31:2009,
TR CU 012/2011,
GOST R IEC 60079-0-2011,
GOST IEC 60079-1-2011,
GOST R IEC 60079-31-2010



Marking acc. to ATEX directive 2014/34/EU:
Explosion protection (gas):
Explosion protection (dust):
Explosion protection (mining):

TUEV-14-ATEX-7539X
 II 2G Ex d IIC T6 Gb or Ex d IIB T6 Gb
 II 2D Ex t IIIC T80°C Db IP68
 I M2 Ex d I Mb



Marking according to IECEx:
Explosion protection (gas):
Explosion protection (dust):
Explosion protection (mining):

IECEx-TUR-14.0026X
Ex d IIC T6 Gb
Ex t IIIC T80°C Db IP68
Ex d I Mb



Marking according to EAC-Ex:
Explosion protection (gas):
Explosion protection (dust):
Explosion protection (mining):

No. TC RU C-DE.MIO62.B.01921
Ex d IIC T6 Gb
Ex tb IIIC T80°C Db IP68
PB Ex d I Mb



Mechanical characteristics

Housing material:
Protection level:
Weight:

Stainless Steel 1.4404 (AISI 316L) or optional Stainless Steel 1.4401 / 1.4301
IP 68 (IEC / EN 60529)
T08-VA1.2.K1.BOR...: 2200 g



Range of temperature

T08-VA1.2.K1.BOR-X-XXX-X-N:
T08-VA1.2.K1.BOR-X-XXX-X-L:
T08-VA1.2.K1.BOR-X-XXX-X-LL:

0°C to +50°C
-30°C to +50°C
-60°C to +50°C



Electrical characteristics

Camera:
Power supply:
Reference power:
Input current:
Max. Power:
Heating:
Power supply:
Input current:
Max. power:

+12VDC to +30VDC
+24VDC
270mA to 540mA
6.5W

+12VDC to +24VDC
ab. 2000mA@24VDC
ab. 10W@-30°C, ab. 20W@-60°C

System cable SKA02*

Outside diameter:
Bending radius:
Video:
RS 422:
Power supply camera:
Power supply heating:

8.5mm
Min. 150mm
1x75Ω Coax AWG 24, Cu shield
2x2x0.25mm² closed Cu shield
2x0.75mm²
2x0.75mm²

*Attention: For *-LL models (-60°C) as well as for the „direct.Control“ option the Cable SKA03-T has to be used.
Find a datasheet @ www.samcon.eu



Camera sensor

Sensor:
Effective sensor resolution:
Horizontal resolution:

1/3-type Super HAD CCD II
PAL: 440,000 Pixel (ca. 752 x 582), NTSC: 380,000 Pixel (ca. 768 x 494)
PAL: 530 TV lines wide end, NTSC: 530 TV lines wide end



Lens

AF-Zoom objektiv:
Focal (f):
Angle of view:
Iris:
Minimal illumination:
Recommended illumination:
Minimal object distance:

10 x opt. / 4 x dig.
5.1mm to 51.0mm
52° (wide) to 5.4° (tele)
F1.8 to F2.1
1/4 s, 1/3 s mode & ICR on: 0.0004 lx
0.25 to 100.000Lx
150mm (wide)
800mm (tele)

Electronic functions

Electronic shutter, Serial control by VISCA/RS-422
Composite (CVBS) video output 1Vs, Backlight compensation (BLC)
IR Cut Filter (IRC), Auto white balance
Aperture control (APC), DSP
Signal-to-noise ratio: ≥50 dB



SAMCON
Prozessleittechnik GmbH

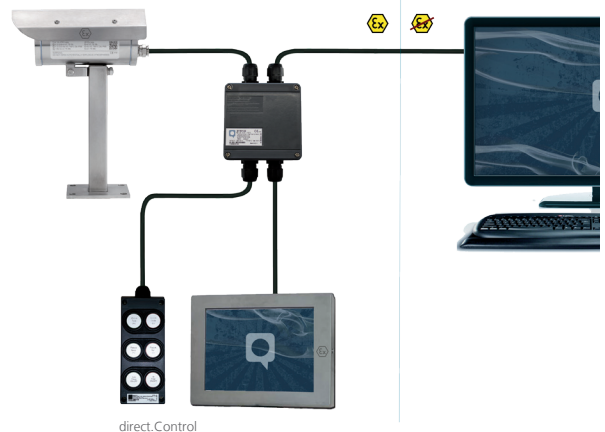
Schillerstraße 17
D-35102 Lohra-Altenvers

www.samcon.eu

info@samcon.eu

T: +49 6426 9231-0

F: +49 6426 9231-31



direct.Control