

ExCam[®] Series

ATEX Installation Manual



Contents

1	Introduction	5
2	Overview of the device documentation.....	6
3	Technical data	7
3.1	Parameters of the explosion protection	7
3.2	Electrical parameters (camera)	7
3.3	Case heating (optional, depending on camera module)	7
3.4	Video-optical Data	7
3.5	Other technical data	8
4	Conformity of Standards	9
5	Conformity of Standards	10
6	Transportation and Storage	10
7	Model variations	10
8	Area of use.....	11
9	Use/ Characteristics	11
10	Installation.....	12
10.1	Assembly.....	13
10.1.1	Stainless steel casing (type T03-VA... und T03-VA2...)	13
10.1.2	Aluminum casing (type T03-AL...)	14
10.2	Opening and closing of the unit.....	15
10.3	Electrical connection	16
11	Starting up.....	17
12	Maintenance/ Modification	17
13	Reparation	17
14	Disposal/ Recycling.....	17
15	Certificates	18
15.1	EU – declaration of conformity	18
15.2	Manufacturer’s declaration concerning the cable and cable entry points	19
15.3	EC-Type Examination Certificate TÜV 09 ATEX 7697 X.....	20
16	Drawings.....	24
17	Notes.....	26

List of illustrations

Figure 1-1 ExCam® T03-VA... und T03-AL.....	5
Figure 2-1 Overview of the device documentation.....	6
Figure 9-1 T03-VA on wall bracket	13
Figure 9-2 T03-VA on sight glass	13
Figure 9-3 T03-AL on wall bracket.....	14
Figure 9-4 T03-AL on sight glass.....	14

History of revisions

Product: T03 ExCam®
 Title: ATEX Installation manual „ExCam® T03“
 Doc.-Id. 090122-PT03BAU-DF-ATEX Installation Manual_en rev.13.doc
 Author: Daniel Fleischer
 Date of Creation: 22.01.2009

Rev.-Index	Date	Name	Comment	Authorization of the ATEX Supervisor
01	26.01.2009	S.Seibert	Diverse Korrekturen	
02	31.03.2009	S.Seibert	Revision gemäß 090126-PT03BAU-SS-Besprechung zur Baumusterprüfung T03 TÜV Rheinland.doc	
03	28.05.2009	S.Seibert	Revision gemäß Prüfbericht. Einbindung in Corporate Design	
04	28.09.2009	S.Seibert	Revision Anschlusschema	
07	17.07.2012	T. Lilling	Diverse Korrekturen	
08	17.07.2012	T. Lilling	Diverse Korrekturen	
09	18.07.2012	R. Thoms	14.2 Konformitätsbescheinigung aktualisiert 14.3 Baumusterprüfbescheinigung aktualisiert	
10	21.11.2012	T. Haberzettl	10.5 ExCam HD	
11	12.10.2013	R. Thoms	- Umbenennung in ATEX Installationsanleitung - Betriebsanleitungen der Gerätetypen ausgegliedert.	
12	31.10.2013	S.Seibert	Revision	
13	07.03.2017	S.Seibert	Revising to Guideline 2014/34/EU	

1 Introduction

The ExCam® Series (Type 03) was developed especially for the use in potentially explosive atmospheres, according to ATEX zone 1 and zone 2, as well as zone 21 and zone 22. With the help of the cameras of the ExCam® Series process flows or objects like tanks, containers, centrifuges etc. can be monitored without actually being on location. Even the supervision of activities and persons in the hazardous area is possible without problems and therefore also increases safety.



Figure 1-1 ExCam® T03-VA... und T03-AL...

The ExCam enables the user to monitor a potentially explosion risk zone from a non-explosion risk zone. Depending on the model (ExCam® miniZoom, ExCam® niteZoom, ExCam® vario...) it is possible to control the camera via commands. Example: For the ExCam® miniZoom the user can adjust the 10x motor zoom lens, the aperture and the focal lens individually in order to achieve an optimized adjustment to the ambient conditions. Consequently, also distant objects can be observed in full detail.

The ExCam® is available in three housing alternatives which will be described further in the following chapters.

2 Overview of the device documentation.

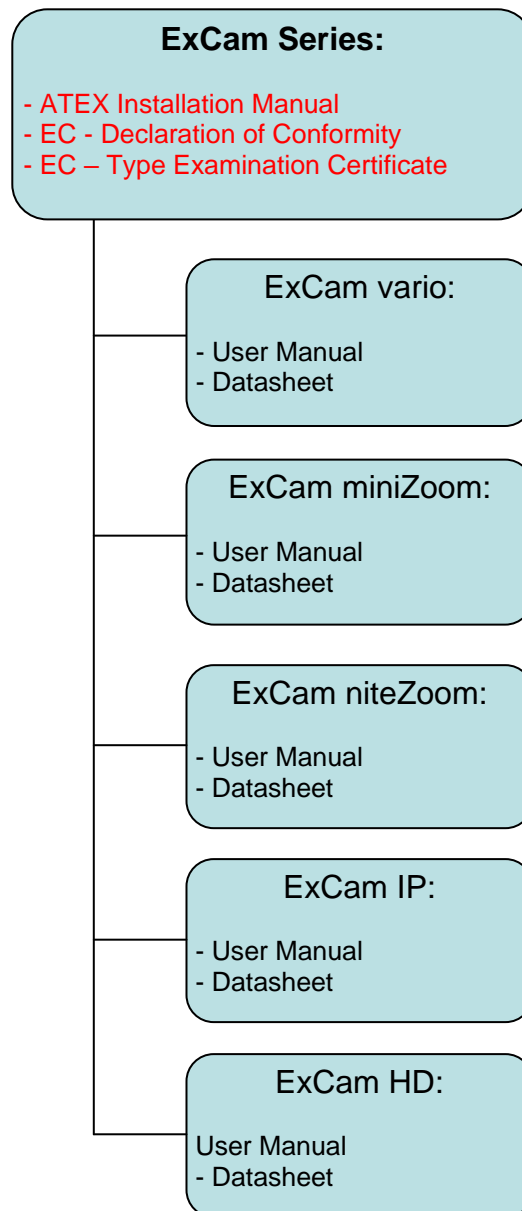

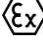


Figure 2-1 Overview of the device documentation

You can find the items marked "RED" in this document

3 Technical data

3.1 Parameters of the explosion protection

Identification marks according to directive 94/9/EC:	 II 2G (Zone 1 und 2)  II 2D (Zone 21 und 22)
Explosion protection (gas):	Ex d IIC T6 Gb or Ex d IIB T6 Gb
Explosion protection (dust):	Ex t IIIIC T80°C Db IP67
EC-Type Examination Certificate: Inspection record:	TÜV 09 ATEX 7697 X 194/Ex.697.00/09

3.2 Electrical parameters (camera)

Supply voltage:	+12 V DC to +60 V DC (depending on the camera model)
Maximum power input for the flameproof enclosure:	
T03-VA...	8,9 W
T03-AL...	18 W
T03-VA2...	20,3 W

3.3 Case heating (optional, depending on camera module)

Supply voltage:	+12 V DC to +25 V DC
Rated/ reference voltage:	+24 V DC at L+ (grey) 0 V DC at L- (white)
switching point of the temperature switch/ on:	ca. +5C°
switching point of the temperature switch/ off:	ca. +11C°
Maximum power consumption:	15 W
Power input:	1250 mA (depending on operation status and power supply)

3.4 Video-optical Data

(see camera data sheet on www.SAMCON.eu)

3.5 Other technical data

Permissible ambient temperature: -20 C° - 50 C° (depending on camera module)

Protection classification

EN 60529/IEC 529:

IP 67 rating

Material of casing:

die casted aluminium
or stainless steel

Glass material:

Borosilicate glass

Weight:

2100 g (stainless steel housing T03-VA)
1800 g (aluminium housing T03-AL)
5000 g (stainless steel housing T03-VA2)

Dimensions (L x D_{max}):

128 mm x 77 mm
(Stainless steel housing T03-VA
without cable gland)
163mm x 98 mm
(Aluminium housing T03-AL
without cable gland)
210 mm x 113 mm
(Stainless steel housing T03-VA2
without cable gland)

Fitting of the flame proof gap preventing the transmission of ignition (cylinder)

T03-VA...:

Diameter: 57 mm H8 f7

T03-VA2...:

Diameter: 91 mm H8 f7

4 Conformity of Standards



Attention!

Cameras of type ExCam are not suitable for use in zone 0 and zone 20. The temperature class and explosion group as stated on the type plate is to be observed. Alterations are not permitted. The camera is to be operated in sound condition and in the way intended.



Attention!

Only original parts of SAMCON Prozessleittechnik GmbH may be used for repairation. Reparatations concerning the explosion protection may only be carried out in accordance with the nationally applied regulations and by SAMCON Prozessleittechnik GmbH.



Attention!

External heat and/ or cooling sources are to be taken into account during the setting up. The permissible temperature range has to be observed.



Attention!

The connecting cable has to have a minimum length of 1 meter. The connecting cable has to be laid shielded.



Attention!

The instructions on the type and instruction plates have to be observed!

Camera modules with autofocus:

„WARNING – MAY NOT BE OPENED WHILE ENERGIZED.“

Adjustable camera modules or lenses:

„WARNING – MAY NOT BE OPENED IN HAZARD AREAS.“

NOTE: Depending on classification of hazard areas a work permit/clearance has to be obtained. Prevent explosive atmospheres while assembling!

Before taking the camera into use, it has to be checked according to the instructions described in chapter 10.

Always follow the national security and accident prevention regulations as well as the security advices subsequently described in this user manual!

5 Conformity of Standards

The explosion protected cameras Type 03 meet the requirements of:

- Richtlinie 94/9/EG equipment and protective systems intended for use in potentially explosive atmospheres (ATEX)
- DIN EN 60079-0:2009 „General requirements (Gas)“
- DIN EN 60079-1:2007 „Equipment protection by flameproof enclosures «d»“
- DIN EN 60079-31:2009 „Equipment dust ignition protection by enclosure «t»“

The camera also fulfils further requirements like the EG directive concerning electromagnetic compatibility (89/336/EWG). The cameras are developed, manufactured and tested state of the art.

6 Transportation and Storage

- Avoid impacts.
- Look out for possible damages to the packaging or camera.
- Store the camera in its original packaging and in a dry and weatherproof place until installation.
- Avoid extreme heat or cold sources.

7 Model variations

ExCam[®] cameras are available in different models with different camera modules. Depending on the product name and type designation code the exact variant can be obtained. Depending on the intended use, the cameras are fitted with

- Different camera modules
- Three different housings (VA, VA2, AL)
- Explosion group IIB and IIC
- variable lengths of camera cables (5-200 meters)
- Different connection variants (plugs and ferrules)
- a housing heating (depending on the product)

The product name is used to identify the intended usage of the camera. For example: ExCam[®] niteZoom is a zoom camera with autofocus and infrared cut filter. The type of camera determines the electronic and mechanical assembly of a camera (see chapter 9 for details). Depending on the installation conditions on the location of assembly the camera may come with a housing heating. Usage of cameras below freezing point is described in chapter 9 (installation). Heating of a housing is realised via the system cable.

A list of the different models and their explanation can be found in the device user manuals.

8 Area of use

The camera is suitable for use in potentially explosive atmospheres of zones 1 and 2 as well as zones 21 and 22 according to EN 60079-10. It can only be used in the appropriate certified type of protection and temperature class.



The instructions on the type and instruction plates have to be observed!

The materials used for the casing including the exterior metal components consist of premium raw materials, which guarantee corrosion protection and resistance to chemicals in „normal industrial atmospheres“ and when used in the intended way.



The ExCam miniZoom should only be used in surrounding temperatures of max. 50°C. External heat sources are to be avoided.

9 Use/ Characteristics

The explosion protected cameras of the ExCam[®] series are used for the surveillance of units and processes in potentially explosive interiors and exteriors. The instructions on the type and instruction plates have to be observed. Instructions layed down in points 3 and 4 have to be followed during the use of the camera.

Applications other than the ones described are not permissible without the written consent of SAMCON Prozessleittechnik GmbH.

10 Installation

The national regulations and accepted rules of technology are decisive for the installation and operation of the camera. Before installation, check the camera of possible damages to the casing and cables. Installation, electrical connection and start-up should only be carried out by qualified personnel.



Attention!

External heat and/ or cold sources should be taken into account during installation. The permissible temperature range should not be exceeded.



Attention!

The connecting cable has to have a minimum length of 1 meter. The connecting cable has to be laid shielded.

10.1 Assembly

10.1.1 Stainless steel casing (type T03-VA... und T03-VA2...))

The camera can be installed on swivels. (Accessoires)



Figure 9-1 T03-VA on wall bracket

With the help of hinge-joints the camera can be installed suitable for any case of application:

- on circular sightglass fittings to DIN 28120 / 28121 or similar
- on screwed sightglass fittings similar to DIN 11851
- on sightflow indicators

In order to monitor facilities, the camera can be mounted on swiveling holders.



Figure 9-2 T03-VA on sight glass

The camera can be mounted horizontally or vertically.

10.1.2 Aluminum casing (type T03-AL...)

The camera can be installed on swivels. (Accessories)



Figure 9-3 T03-AL on wall bracket

Thanks to the 3 different fastening systems (rotatable base, fastening bracket, adapter flange), the camera can be mounted for any case of application on:

- circular sightglass fittings to DIN 28120 / 28121 or similar
- sightflow indicators
- screwed sightglass fittings similar to DIN 11851 (screwed dairy sightglass fittings)

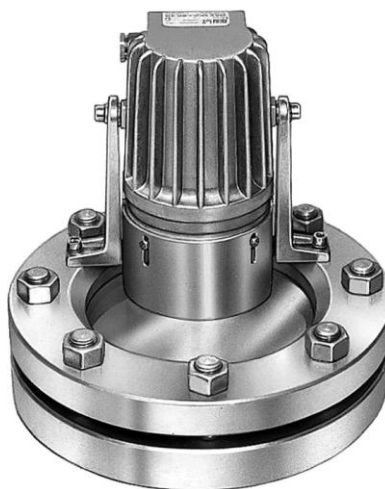


Figure 9-4 T03-AL on sight glass

10.2 Opening and closing of the unit



Attention! Observe all warnings on camera labels:

Camera modules with autofocus:

„WARNING – MAY NOT BE OPENED WHILE ENERGIZED.“

Adjustable camera modules or lenses:

„WARNING – MAY NOT BE OPENED IN HAZARD AREAS.“

NOTE: Depending on classification of hazard areas a work permit/clearance has to be obtained. Prevent explosive atmospheres while assembling!

The ExCam ® miniZoom, niteZoom and IP may only be opened and closed by authorized SAMCON personnel.

When attaching the glass flange, make sure it fits properly into the camera casing. Make sure all foreign objects are removed from the unit before. In order to safe-guard the necessary minimum degree of protection, the glass flange has to be inserted as far as it will go into the camera casing and has to be fastened with the cover screws. Make sure that the screws are fastened tightly.



Attention!

Excessive tightening can damage the camera.

10.3 Electrical connection



Attention!

The electrical connection of the device may only be carried out by qualified personnel.

ExCam[®] devices with analog-signal-transmission are supplied with an electrical connection cable of the type SKAxx (System cable analog). The length of the cable is max. 200m and can be determined by the customer. The ExCam is manufactured and delivered as an unconnected cable end device (Pigtail) with the desired cable length, so that electrical works inside the explosion proof housing of the camera on part of the user are not permissible. The end of the camera connection cable is stripped and fitted with conductor sleeves.

The electrical connection for IP-based ExCam devices are realised with the system cable of the type SKD01 (4x2x0,34mm²). The length of the cable is max. 100m and can be determined by the customer.

The electrical connection and commissioning must be undertaken in accordance with national regulations, and only by authorized personnel.

Please note the electrical connection specifications of the device user manual!



Attention!

The housing of the ExCam[®] series must be earthed via the PA connection (earthing screw).



Attention!

The heating has to be fused externally.

When taking the camera into use at temperatures below 0°C, make sure to switch it on with a time delay. The casing has to be warmed up by the heating before the camera can be switched on. This can be done by an external time relay.

11 Starting up

Before taking the device into use, the examinations laid down in the individual national regulations have to be carried out. Furthermore, the correct function and installation of the device has to be checked in accordance with this user manual and other applicable regulations.

Improper installation and use of the camera can result in the loss of warranty.

The functional “Starting Up” of each device is described in the corresponding user manual.

12 Maintenance/ Modification

The applicable regulations for the maintenance and servicing of electrical devices in potentially explosive atmospheres must be followed.

The necessary maintenance intervals depend on the operating condition and have to be individually determined by the user. Especially parts on which the type of protection depends are to be examined as part of the maintenance (e.g. sound condition of the casing, the seals and the cable entry points). Repair works should be carried out when the need for them is recognised during maintenance.

13 Reparation

Reparations must only be carried out with original parts of SAMCON Prozessleittechnik GmbH. Damaged pressure-resistant casing should be replaced completely. In case of doubt, send the part in question back to SAMCON Prozessleittechnik GmbH.

Reparations concerning the explosion protection must only be carried out in accordance with nationally applied regulations by SAMCON Prozessleittechnik GmbH or a qualified electrical technician authorised by SAMCON Prozessleittechnik GmbH.

Rebuilding of or alterations to the devices are not permitted.

14 Disposal/ Recycling

When disposing of the device, nationally applicable regulations must be observed.

This Document is subject to alterations and additions.

15 Certificates
15.1 EU – declaration of conformity

EG/EU - Konformitätserklärung

EC/EU – Declaration of Conformity / CE/UE – Déclaration de Conformité

Der Hersteller / *The manufacturer / Le fabricant*



Schillerstraße 17
35102 Lohra-Altenvers

erklärt in alleiniger Verantwortung, dass sein Produkt
declares under his sole responsibility, that his product
déclare sous sa seule responsabilité, que son produit

ExCam® T03...

gekennzeichnet mit / *marked with / marqué avec*

⊕ II 2 G Ex d II* T6 Gb
 ⊕ II 2 D Ex t IIIC T80°C Db IP67

bescheinigt mit EG-Baumusterprüfbescheinigung
certified by EC type examination certificate
ayant fait l'objet de l'attestation CE de type

TÜV 09 ATEX 7697 X

auf das sich diese Erklärung bezieht, mit der/den folgenden Richtlinien, Normen oder normativen Dokumenten
 übereinstimmt:

referred to by this declaration is in conformity with the following directives, standards or normative documents:

auquel se rapporte la présente déclaration, est conforme aux directives, normes ou aux documents normatifs suivants:

ATEX Richtlinie/ ATEX Directive/ Directive ATEX

Bis/Until/Jusque	Ab/From/De
2016-04-19	2016-04-20
94 / 9 / EG	2014/34/EU
94 / 9 / CE	2014/34/EU
94 / 9 / EC	2014/34/UE

Normen / Standards / Normes

EN 60079-0:2009
 EN 60079-1:2007
 EN 60079-31:2009



Digital unterschrieben von Steffen Seibert
 DN: cn=Steffen Seibert, o=SAMCON, ou, email=s.seibert@samcon.eu, c=DE
 Datum: 2017.03.07 08:05:54 +01'00'

Dipl.-Ing. Steffen Seibert
 Geschäftsführer

Lohra-Altenvers, den / *the / le* 07.03.2017

15.2 Manufacturer's declaration concerning the cable and cable entry points

Herstellereklärung

Declaration of manufacturer / Déclaration de fabricant

Der Hersteller / The manufacturer / Le fabricant





**Schillerstraße 17
35102 Lohra-Altenvers**

erklärt in alleiniger Verantwortung, dass die verwendeten **Kabel und Kabelleitungseinführungen** für sein Produkt

*declares under his sole responsibility, that **Cable and Cable Glands** for his product
déclare sous sa seule responsabilité, que les **câbles et le entrées du câbles** pour son produit*

ExCam[®] T03

gekennzeichnet mit / marked with / marqué avec

 II 2 G Ex d II* T6 Gb
 II 2 D Ex t IIIC T80°C Db IP67

bescheinigt mit EG-Baumusterprüfbescheinigung
*certified by EC type examination certificate
ayant fait l'objet de l'attestation CE de type*

TÜV 09 ATEX 7697 X

auf das sich diese Erklärung bezieht, mit der/den folgenden Normen oder normativen Dokumenten übereinstimmt:

referred to by this declaration is in conformity with the following standards or normative documents:

auquel se rapporte la présente déclaration, est conforme aux normes ou aux documents normatifs suivants:

**DIN EN 60079-14:2014
IEC 60079-14:2013**



Digital unterschrieben von Steffen Seibert
DN: cn=Steffen Seibert, o=SAMCON, ou,
email=s.seibert@samcon.eu, c=DE
Datum: 2017.03.07 08:21:35 +01'00'

Dipl.-Ing. Steffen Seibert
Geschäftsführer


Lohra-Altenvers, den / the / le 07.03.2017

15.3 EC-Type Examination Certificate TÜV 09 ATEX 7697 X

(1) **EG-Baumusterprüfbescheinigung**

(2) Geräte und Schutzsysteme zur bestimmungsgemäßen Verwendung in explosionsgefährdeten Bereichen - **Richtlinie 94/9/EG**

(3) EG-Baumusterprüfbescheinigungsnummer



TÜV 09 ATEX 7697 X

(4) Gerät: **ExCam miniZoom Typ T03-VA... und Typ T03-AL...**

(5) Hersteller: **SAMCON Prozesstechnik GmbH**

(6) Anschrift: **Schillerstraße 5a; 35102 Lohra-Altenvers**

(7) Die Bauart dieses Gerätes sowie die verschiedenen zulässigen Ausführungen sind in der Anlage zu dieser Baumusterprüfbescheinigung festgelegt.

(8) Die TÜV CERT-Zertifizierungsstelle für Ex-Schutz-Produkte der TÜV Rheinland Industrie Service GmbH, TÜV Rheinland Group, bescheinigt als benannte Stelle Nr. 0035 nach Artikel 9 der Richtlinie des Rates der Europäischen Gemeinschaften vom 23. März 1994 (94/9/EG) die Erfüllung der grundlegenden Sicherheits- und Gesundheitsanforderungen für die Konzeption und den Bau von Geräten und Schutzsystemen zur bestimmungsgemäßen Verwendung in explosionsgefährdeten Bereichen gemäß Anhang II der Richtlinie.

Die Ergebnisse der Prüfung sind in dem vertraulichen Prüfbericht Nr. 194/Ex697.00/09 festgelegt.

(9) Die grundlegenden Sicherheits- und Gesundheitsanforderungen werden erfüllt durch Übereinstimmung mit



EN 60079-0; 2006, EN 60079-1; 2007, EN 61241-0; 2006, EN 61241-1; 2004

mit Ausnahme der Anforderungen, die in Punkt 18 der Anlage gelistet sind.


(10) Falls das Zeichen „X“ hinter der Bescheinigungsnummer steht, wird auf besondere Bedingungen für die sichere Anwendung des Gerätes in der Anlage zu dieser Bescheinigung hingewiesen.

(11) Diese EG-Baumusterprüfbescheinigung bezieht sich nur auf Konzeption und Bau des festgelegten Gerätes gemäß Richtlinie 94/9/EG. Weitere Anforderungen dieser Richtlinie gelten für die Herstellung und das Inverkehrbringen dieses Gerätes. Diese Anforderungen werden durch diese Bescheinigung nicht abgedeckt.

(12) Die Kennzeichnung des Gerätes muß die folgenden Angaben enthalten:

 **II 2 G Ex d IIC T6 oder Ex d IIB T6**
 **II 2 D Ex tD A21 IP67 T80°C**

TÜV CERT-Zertifizierungsstelle für Explosionsschutz Köln, den 23.04.2009


 Dipl.-Ing. K. Wettingfeld

Diese EG-Baumusterprüfbescheinigung hat ohne Unterschrift und Stempel keine Gültigkeit
 Diese EG-Baumusterprüfbescheinigung darf nur unverändert verbreitet werden. Auszüge und Änderungen bedürfen der Genehmigung der TÜV Cert-Zertifizierungsstelle für Ex-Schutz-Produkte

TÜV Rheinland Industrie Service GmbH TÜV Rheinland Group Am Grauen Stein 51105 Köln
 Tel. +49 (0) 221 806-0 Fax. + 49 (0) 221 806 114

1. Ergänzung

gemäß Richtlinie 94/9/EG Anhang III Ziffer 6
zur
EG-Baumusterprüfbescheinigung TÜV 09 ATEX 7697 X

Gerät: ExCam Typ: T03-VA... und T03-AL
Hersteller: SAMCON Prozessleittechnik GmbH
Anschrift: Schillerstrasse 5a 35102 Lohra-Altenvers

Beschreibung der Ergänzungen und Änderungen

Das Gerät wird von ExCam miniZoom in ExCam umbenannt.

Die zulässige Umgebungstemperatur ist für alle Typen: - 20 °C bis + 50 °C.
Die besondere Bedingung, dass die Umgebungstemperatur vom Einbau einer Heizung abhängt, entfällt.

Die weiteren Daten der EG-Baumusterprüfbescheinigung bleiben unverändert.

Prüfbericht- Nr.: 557/Ex 697.01/11

Besondere Bedingungen / Special conditions for safe use

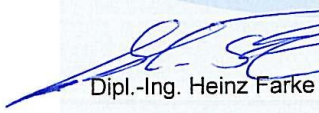
Siehe „Beschreibung der Ergänzungen und Änderungen“.

Sicherheitsrelevante Informationen / Safety-relevant information

Es gelten die im Grundschein aufgeführten Bedingungen.

TÜV Rheinland Zertifizierungsstelle für Ex - Produkte

Köln, 10. Mai 2011


Dipl.-Ing. Heinz Farke

Diese Ergänzung zur EG-Baumusterprüfbescheinigung hat ohne Unterschrift und Stempel keine Gültigkeit.
Diese Ergänzung zur EG-Baumusterprüfbescheinigung darf nur unverändert verbreitet werden.
Auszüge und Änderungen bedürfen der Genehmigung der TÜV Rheinland Zertifizierungsstelle für Ex-Schutz-Produkte

TÜV Rheinland Industrie Service GmbH Am Grauen Stein 51105 Köln
Tel.: +49 (0) 221 806-0 Fax: + 49 (0) 221 806 114

Seite 1 / 1

www.tuv.com

 **TÜVRheinland®**
Genau. Richtig.

2. Ergänzung

gemäß Richtlinie 94/9/EG Anhang III Ziffer 6

zur

EG-Baumusterprüfbescheinigung TÜV 09 ATEX 7697 X

Gerät: ExCam Typ T03-VA... / Typ T03-AL... / Typ T03-VA2

Hersteller: SAMCON Prozeßleittechnik GmbH
Anschrift: Schillerstrasse 5a 35102 Lohra-Altenvers

Beschreibung der Ergänzungen und Änderungen

Das Gerät wird um das Model T03-VA2... erweitert.

Dadurch ändern sich die technischen Daten der 3 Modellvarianten wie folgt:

Typ T03-VA
Versorgungsspannung: 12V Dc bis 60V DC
P max bei Tamb +50°C 8,9 W

Typ T03-VA2
Versorgungsspannung: 12V Dc bis 60V DC
P max bei Tamb +50°C 20,3 W

Typ T03-AL
Versorgungsspannung: 12V Dc bis 60V DC
P max bei Tamb +50°C 18 W

Ein Normenupdate auf die EN 60079-0:2009 EN 60079-1:2007 und EN 60079-31:2009 hat stattgefunden. Die Änderung der Kennzeichnung ergibt sich wie folgt:

II 2 G Ex d IIC T6 Gb oder II 2 G Ex d IIB T6 Gb
II 2 D Ex t IIIC T80°C Db IP65

Die weiteren Daten der EG-Baumusterprüfbescheinigung und der 1. Ergänzung bleiben unverändert.

Prüfbericht- Nr.: 557/Ex 697.02/12

Diese Ergänzung zur EG-Baumusterprüfbescheinigung hat ohne Unterschrift und Stempel keine Gültigkeit.
Diese Ergänzung zur EG-Baumusterprüfbescheinigung darf nur unverändert verbreitet werden.
Auszüge und Änderungen bedürfen der Genehmigung der TÜV Rheinland Zertifizierungsstelle für Ex-Schutz-Produkte

TÜV Rheinland Industrie Service GmbH Am Grauen Stein 51105 Köln
Tel. +49 (0) 221 806-0 Fax. + 49 (0) 221 806 114

Seite 1 / 2

Besondere Bedingungen / Special conditions for safe use

Siehe „Beschreibung der Ergänzungen und Änderungen“.

Sicherheitsrelevante Informationen / Safety-relevant information

Es gelten die im Grundschein aufgeführten Bedingungen.

TÜV Rheinland Zertifizierungsstelle für Ex - Produkte

Köln, 06 Juni 2012

Dipl.-Ing. Klauspeter Graffi



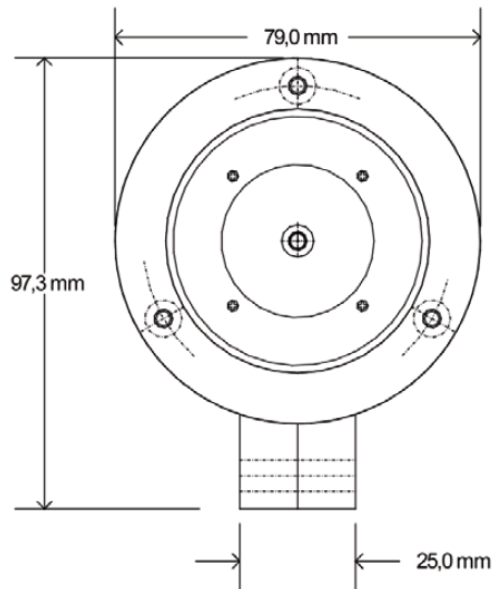
Diese Ergänzung zur EG-Baumusterprüfbescheinigung hat ohne Unterschrift und Stempel keine Gültigkeit.
Diese Ergänzung zur EG-Baumusterprüfbescheinigung darf nur unverändert verbreitet werden.
Auszüge und Änderungen bedürfen der Genehmigung der TÜV Rheinland Zertifizierungsstelle für Ex-Schutz-Produkte

TÜV Rheinland Industrie Service GmbH Am Grauen Stein 51105 Köln
Tel. +49 (0) 221 806-0 Fax. + 49 (0) 221 806 114

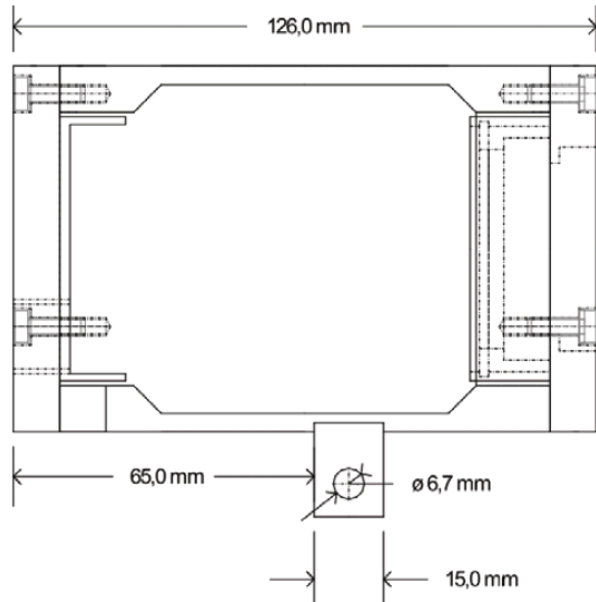
16 Drawings

T03-VA-XX

Front view

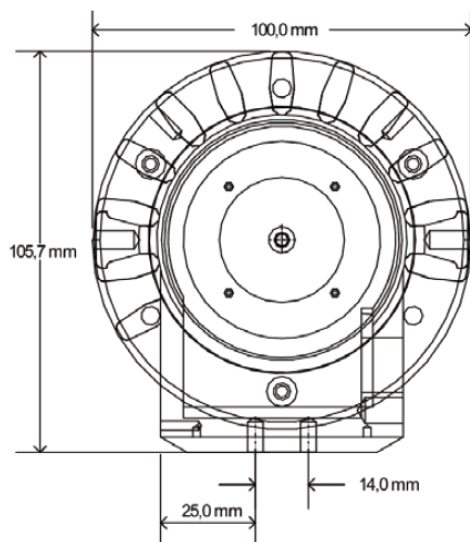


Side view from left

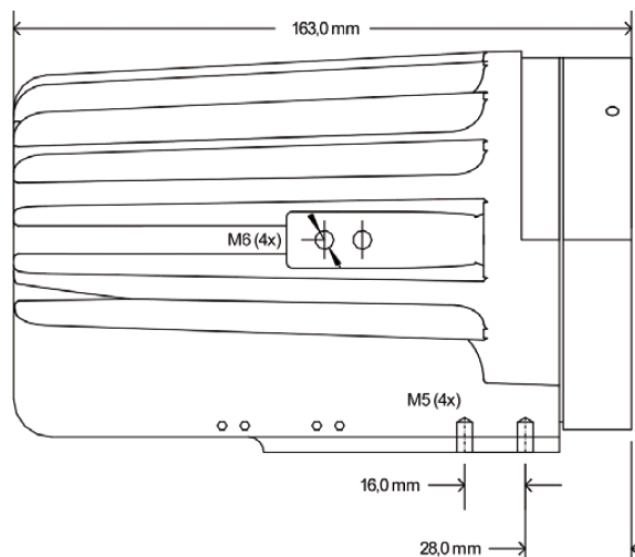


T03-AL-XX

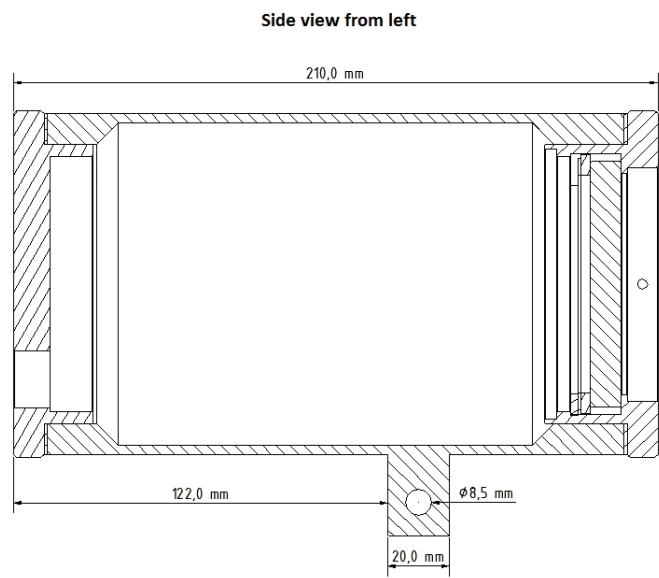
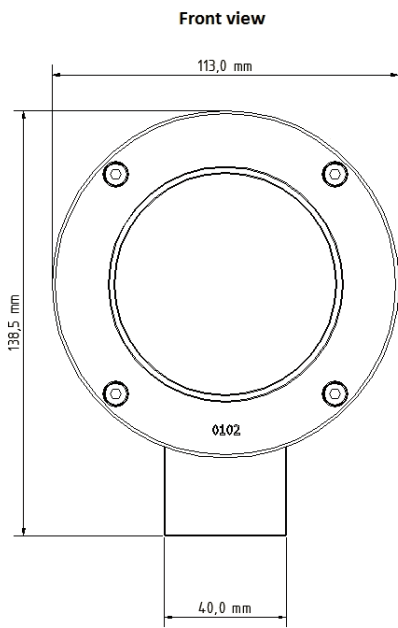
Front view



Side view from left



T03-VA2-XX



17 Notes



SAMCON
Prozessleittechnik GmbH

Schillerstraße 5a, D-35102 Lohra-Altenvers
www.samcon.eu, info@samcon.eu
fon: +49 6426 9231-0, fax: -31