

ExCam[®] IP

Datasheet.

Features.

Network CCTV camera for hazardous area

With our ExCam IP, finally a full-fledged network camera is available for hazardous areas. The video streams can be controlled directly via ethernet which means that there is no further need for a video server!

Reduced installation costs

Data and power supply are combined in only one cable! The only equipment needed to connect the camera in the safe area is a PoE switch or a PoE midspan.

Ethernet cables for hazardous area

Our network cable is specifically designed for hazardous areas! It is, thanks to the polyurethane coating, mechanically extremely robust and also UV resistant and flame retardant according to DIN EN 60079-14. Due to the wire size (AWG 22) and the shielded Cat6e twisted pairs, even greater distances can easily be bridged!

Power over Ethernet (PoE)

Electrical power is passed, along with data, via the network cable (IEEE 802.3af). This eliminates the costly installation of power cables.

Small enclosure - great resolution (HD)

Using progressive scan technology, the ExCam IP is capable to encode high-resolution images of moving objects at 30 frames per second without motion blur. The ExCam IP delivers sharp images with the resolution HDTV 720p and 1 MP.

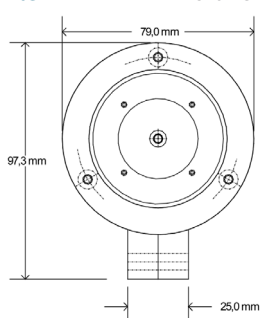
Multistreaming - Several different video streams simultaneously!

Multiple H.264 video streams as well as Motion JPEG streams are provided simultaneously - either in full frame rate or individually optimized for different quality and bandwidth requirements.

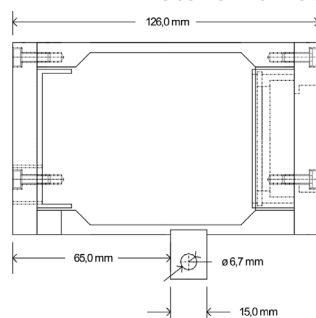


Dimensions.

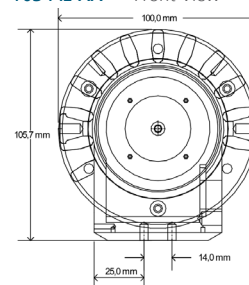
T03-VA-XX Front View



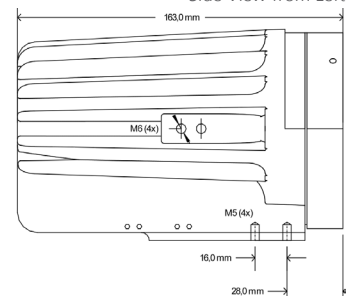
Side View from Left



T03-AL-XX Front View



Side View from Left



Data.

ExCam® IP



Electrical characteristics

Camera:	
Power supply:	PoE, IEEE 802.3af Klasse 1
Reference power:	Max. 48 VDC
Input current:	Max. 350mA
Maximum power:	Max. 3.84W

Connection cable

Outside diameter:	8.7 ±0.3 mm
Bending radius:	100mm
Twisted pair structure (data):	4 x 2 x AWG22/1 CAT.6a
Other features:	UV resistant and flame retardant (see www.samcon.eu datasheet SKD01)

Mechanical characteristic

Housing material:	Aluminium or Stainless Steel 1.4301 (AISI 304) or optional Stainless Steel 1.4401 / 1.4404 (AISI 316 / 316L)
Protection level:	IP 67 (IEC / EN 60529)
Weight:	T03-VA-XX: about 2100g T03-AL-XX: about 1900g

Range of temperature

T03-XX-X-XXX-X-N:	-5°C to +50°C
-------------------	---------------

Camera

Image sensor:	1/4" progressive scan RGB CMOS 1 megapixel
Lens:	2.8 mm, F2.0, fixed iris
Horizontal angle of view:	80°
Minimum illumination:	1.0 lux, F2.0
Shutter time:	1/25000 s to 1/6 s
Pan/Tilt/Zoom:	Digital PTZ, preset positions, guard tour



Video

Video compression:	H.264 (MPEG-4 Part 10/AVC), Motion JPEG
Resolutions:	1280x800 to 160x90
Frame rate H.264:	30 fps in all resolutions
Frame rate Motion JPEG:	30 fps in all resolutions
Video streaming:	Controllable frame rate and bandwidth Multi-stream H.264 and Motion JPEG H.264/Motion JPEG: 1 stream in full frame rate and resolution in either compression, more streams if identical or limited in frame rate/resolution VBR/CBR H.264
Image settings:	Compression, color, brightness, sharpness, contrast, white balance, exposure control, exposure zones, backlight compensation, fine-tuning of behavior at low light, rotation, text and image overlay, privacy mask, mirroring of images

Network

Security:	Password protection, IP address filtering, HTTPS* encryption, digest authentication, user access log
Supported protocols:	IPv4/v6, HTTP, HTTPS*, QoS Layer 3 DiffServ, FTP, SMTP, Bonjour, UPnP, SNMPv1/v2c/v3(MIB-II), DNS, DynDNS, NTP, RTSP, RTP, TCP, UDP, IGMP, RTCP, ICMP, DHCP, ARP, SOCKS

System integration

Application Programming Interface:	Open API for software integration, including supporting the ONVIF specification available at www.onvif.org, as well as VAPIX® from Axis Communications, specifications available at www.axis.com
Intelligent video:	Video motion detection, active tampering alarm
Alarm triggers:	Intelligent video
Alarm events:	File upload via FTP, HTTP and email Notification via email, HTTP and TCP
Video buffer:	Video recording to edge storage 40MB pre and post alarm

Explosion protection

Declaration of conformity:	DIN EN 60079-0:2009 DIN EN 60079-1:2007 DIN EN 60079-31:2009
EC type examination certificate:	TÜV 09 ATEX 7697 X
Marking according to directive 94/9/EG:	II 2G (zone 1 and 2) II 2D (zone 21 and 22)
Explosion protection (gas):	Ex d IIC T6 Gb or Ex d IIB T6 Gb
Explosion protection (dust):	Ex t IIIc T80°C Db
Protection level:	IP 67 (IEC / EN 60529)

Models.

