

# ExCam® IPM2036



## Datasheet.

### Features.

- ✓ Broad Certification Landscape for **Hazardous Areas** (ATEX, IECEx, EAC-Ex ...)
- ✓ Deep Learning Processing Unit (DLPU) for **Artificial Intelligence** (AI) Applications
- ✓ **Day & Night** Functionality
- ✓ Built-in **IR LEDs and Optimized IR**
- ✓ High Resolution: **4 MP/QHD 1440p**
- ✓ High Light Sensitivity with **1/2.7" CMOS Sensor**
- ✓ **Arctic-Temperatures** (-60°C)
- ✓ Protection Level of **IP66/68** (IEC 60529)
- ✓ Zipstream and Videocompression H.265
- ✓ Optional with cool.Jacket for Use at +120°C

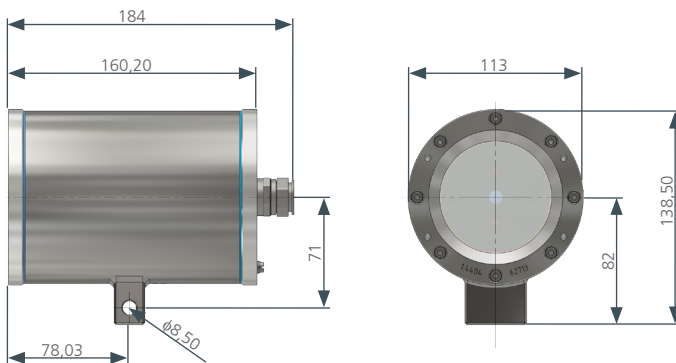


### Zones.

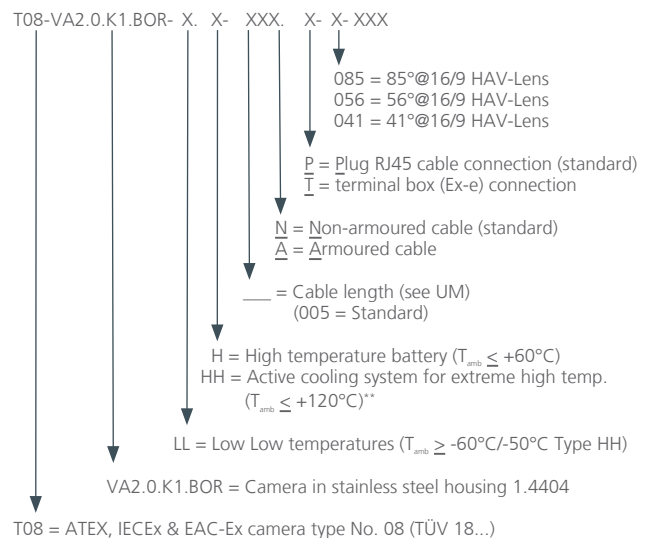
Group I (Mining)	ATEX / IECEx / EAC-Ex		Group II (Gas & Dust)	ATEX / IECEx / EAC-Ex				
Zone	Ma	Mb	Zone	0	1	2	21	22
For use in	✗	✓	For use in	✗	✓	✓	✓	✓

More certificates upon request.

### Dimensions [mm].



### Models.



#### Lens Options

T08-VA2.0.K1.BOR-X.X-XXX.X-X-085 (wide)  
 T08-VA2.0.K1.BOR-X.X-XXX.X-X-056 (normal)  
 T08-VA2.0.K1.BOR-X.X-XXX.X-X-041 (tele)

Megapixel lens 3.6mm  
 Megapixel lens 6.0mm  
 Megapixel lens 8.0mm

F1.8 IR HAoV@16/9=85° (standard)  
 F1.9 IR HAoV@16/9=56°  
 F1.8 IR HAoV@16/9=41°

## Data.



### Explosion protection

Declaration of conformity:

DIN EN/IEC/GOST... 60079-0, DIN EN/IEC/GOST... 60079-1,  
DIN EN/IEC/GOST... 60079-7, DIN EN/IEC/GOST... 60079-31  
TUEV-18-ATEX-8218X, IECEx-TUR-18.0023X,  
No. TC RU C-DE.HA65.B.01652/22, TUEV-22-UKEX-7137X



Ex- Certificates:



Ex- Marking of the camera:

Explosion protection (gas):  
Explosion protection (dust):  
Explosion protection (mining):  
Ex- Marking of the terminal box:  
Explosion protection (gas):  
Explosion protection (dust):

II 2G Ex db IIC T5 Gb  
II 2D Ex tb IIIC T95°C Db  
I M2 Ex db I Mb\*\*\*

II 2G Ex eb IIC T5 Gb  
II 2D Ex tb IIIC T95°C Db (IP66)



### Mechanical characteristics

Protection level (camera/terminal box):  
Weight:

Camera: stainless steel (AISI 316L/1.4404), terminal box: Polyester resin  
IP66/68 / IP66 (IEC/EN 60529)  
ca.5 kg



### Range of temperature

Type ...LL.H:  
Type ...LL.HH:

-60°C bis +60°C  
-50°C bis +120°C\*\*



### Power supply

Type ...LL.H:

PoE, IEEE 802.3af/802.3at Type 1 Class 3, typical 5 W, max. 12.95 W



### Connection cable type

Outside diameter:

WWW.SAMCON.EU ... Cat.6 / 4x2xAWG23/1 ...; (.../AWG24/7 for -LL.HH-)  
9 mm - 17 mm (6.6 mm for type -LL.HH-)



### Lens

Type:

IR corrected fixed Iris, fixed focus lens;  
with automatically removable IR-cut filter  
0.5 m  
Color: 0.18 lux at 50 IRE F2.1, B/W: 0.04 lux at 50 IRE F2.1  
0 lux with IR illumination on (max. range of reach approx. 2m)\*\*\*\*

Minimum focus distance:  
Minimum illumination:



### Camera

Image sensor:  
Shutter speed:  
Video compression:  
Resolution:  
Frame rate:  
Video streaming:

1/2.7" progressive scan RGB CMOS  
1/38500 s to 1/5 s  
H.264 (MPEG-4 Part 10/AVC) Main and High Profiles, Motion JPEG, H.265 (MPEG-H Part 2/HEVC) Main Profile  
2304x1728 to 320x240 (4:3) / 2668x1512 (16:9)  
Up to 25/30 fps (60/50 Hz)  
Multiple, individually configurable streams in H.264, H.265 and Motion JPEG  
Axis Zipstream technology in H.264 and H.265  
Controllable frame rate and bandwidth, VBR/ABR/MBR H.264/H.265  
Compression, contrast, brightness, sharpness, WDR: up to 115 dB depending on scene, white balance,  
color, exposure control, motion-adaptive exposure, text and image-overlay,  
privacy masks, mirroring of images, rotation: 0°, 90°, 180°, 270° including Corridor Format  
Digital PTZ  
Support for microSD/microSDHC/microSDXC card (card not included in scope of delivery);  
Support for recording to network-attached storage (NAS)

Image settings:

Pan/Tilt/Zoom:  
Edge storage:



### Network

Security:

Password protection, IP address filtering, HTTPS encryption,  
Digest authentication, user access log, ...

Supported protocols:

IPv4/v6, HTTP, HTTPS, QoS Layer 3 DiffServ, FTP, SMTP,  
Bonjour, UPnP, SNMPv1/v2c, v3(MIB-II), DNS, DynDNS, NTP, RTSP, RTP, TCP, UDP, IGMP, etc...



### System integration

Application programming interface:

Open API for software integration, including VAPIX® and AXIS Camera Application Plattform;  
Specifications at www.axis.com; One-click cloud connection;  
ONVIF® Profile S, ONVIF® Profile T und ONVIF® Profile G, specification at onvif.org  
Deep Learning Processor Unit (DLPU), AXIS Object Analytics, AXIS Video Motion Detection,  
active tampering alarm, support for AXIS Camera Application Plattform enabling installation of  
third-party applications, see www.axis.com/acap

Included analytics:

Event trigger:

Event actions:

Analytics; I/O: manual trigger; edge storage of events, supervised external inputs, virtual inputs via API  
Pre- and post-alarm video or image buffering for recording or upload  
Upload of images or video clips: FTP, SFTP, HTTP, HTTPS, network share and E-Mail  
Notification: E-Mail, HTTP, HTTPS, TCP and SNMP trap  
Event data  
Pixel counter, level grid

Data streaming:

Built-in installation aids:

### Optional accessories

Wall Mount Bracket (WMB), Pole mount Bracket (PMB), Weather Protection Roof (WPR),  
non-armoured cable kits, armoured cable kits, ExConnection Rails, ...

\* = Illustrations show models with accessories that are subjected to an extra charge.

\*\* = This model requires the SAMCON cool.Jacket. The temperature class must be reduced to T3. The cooling water according to the requirements must be available or be produced.

\*\*\* = Mining only for variants with armoured cable and plug termination

\*\*\*\* = Range of reach of IR-illumination depending on scene (low light). See test report on IR-illumination or Usermanual.

