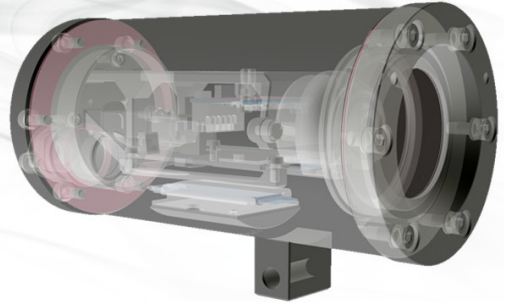


ExCam® IPM3016



THIS.

2005:
35kg, -20°C, IP54...

IS.

2010:
15kg, -40°C, IP66

EVOLUTION.

2018:
3kg, -60°C, IP68...

Feature-Highlights.

- ✓ ATEX, IECEx & EAC-Ex certified TCP/IP Network Camera
- ✓ Ultra Compact and Innovative Design, only weighing max. 3kg
- ✓ Dynamic and Modular PTC-Heater-Concept (-60°C)
- ✓ One-Cable-Solution: Power over Ethernet (PoE)
- ✓ ONVIF and VAPIX Compatible Multi-Streaming-Solution with ePTZ
- ✓ 3 MP Video in Full Frame Rate

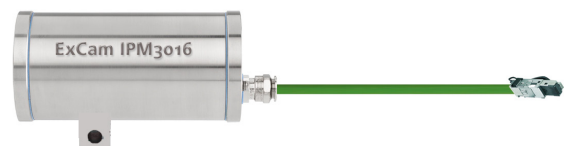
Models.

T08-VA.1.2.K1.BOR-X.N-XXX.X-X-0XX

↓
 090 = 90°@16/9 HAV-Lens (standard)
 P = Plug RJ45 cable connector (standard)
 T = Terminal Box (Ex-e) connection
 N = Non armoured cable
 A = Armoured cable
 — = Cable length (see UM) (005 = standard)
 N = No cooling System installed ($T_{amb} < +55^{\circ}\text{C}$)
 N = No Heater installed ($T_{amb} > -20^{\circ}\text{C}$) (standard)
 LL = PTC Heater installed ($T_{amb} > -60^{\circ}\text{C}$)
 VA1.2.K1.BOR = Stainless Steel Enclosure 1.4404
 T08 = ATEX, IECEx & EAC-Ex Camera type No. 08 (TÜV 18...)

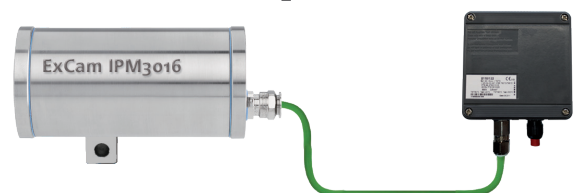
Plug Termination.

T08-VA.1.2.K1.BOR-X.X-XXX.X-P- XXX



Terminal Box Termination.

T08-VA.1.2.K1.BOR-X.X-XXX.X-T- XXX



Data.



Explosion protection

Declaration of conformity*:

IEC/EN GOST 60079-0, IEC/EN GOST 60079-1,
IEC/EN GOST 60079-7, IEC/EN GOST 60079-14,...



Ex- Certificates:

TUEV-18-ATEX-8218X, IECEx-TUR-18.0023X,
No. TC RU C-DE.HA65.B.01652/22, TUEV-22-UKEX-7137X



Ex- Marking of the camera:

Explosion protection (gas):
Explosion protection (dust):
Explosion protection (mining):

II 2G Ex db IIC T6 Gb
II 2D Ex tb IIIC T80°C Db
I M2 Ex db I Mb**

Ex- Marking of the terminal box:

Explosion protection (gas):
Explosion protection (dust):

II 2G Ex eb IIC T5 Gb
II 2D Ex tb IIIC T95°C Db



Mechanical characteristics

Housing material:

Stainless Steel 1.4404

Protection level:

IP66/68 (IEC / EN 60529)

Weight:

T08-VA1.2.K1.BOR...: 3kg (without terminal box)



Range of temperature

T08-VA.1.2.K1.BOR-N.N-XXX.X-X-XXX:
T08-VA.1.2.K1.BOR-LL.N-XXX.X-X-XXX:

-20°C to +55°C
-60°C to +55°C



Electrical characteristics

Power supply:

PoE, IEEE 802.3af/802.3at Type 1 Class 1, typical 2.9 W, max. 3.8 W (LL Models only MODE A PSE-Devices!)

Maximum power:

Max. 3.9W@PoE, ca. 20W@-60°C@24VDC



Connection cable

Twisted pair structure (data):

4x2xAWG23/1 CAT.6A (non-armoured cable); 4x2xAWG23/1 CAT.6 (armoured cable)**

Outside diameter (non-armoured/armoured): 8.9 ± 0.3 mm / 12 mm ± 0.4



Camera

Image sensor:

1/3" progressive scan CMOS

Minimum illumination:

ca. 0.4 lux (depending on lens)

Shutter time:

1/32000 s to 1/5 s

Pan/Tilt/Zoom:

Digital PTZ, preset positions, guard tour



Video

Video compression:

H.264 (MPEG-4 Part 10/AVC), H.265 (MPEG-H Part 2/HEVC) Main Profile, Motion JPEG

Resolutions:

2016x1512 to 320x240 (4:3) or 2304x1296 to 640x360 (16:9)

Frame rate :

25/30 fps with power line frequency 50/60 Hz

Video streaming:

Multiple, individually configurable streams in H.264, H.265 and Motion JPEG Axis Zipstream technology in H.264 and H.265. Controllable frame rate and bandwidth VBR/MBR H.264/H.265

Image settings:

Compression, color, brightness, sharpness, contrast, local contrast, white balance, exposure control, text and image overlay, mirroring of images, privacy masks WDR: up to 100 dB depending on scene
Rotation: 0°, 90°, 180°, 270° including Corridor Format



Network

Security:

Password protection, IP address filtering, HTTPS encryption, digest authentication, user access log...

Supported protocols:

IPv4/v6, HTTP, HTTPS*, QoS Layer 3 DiffServ, FTP,....



System integration

Application Programming Interface:

Open API for software integration, including supporting the ONVIF specification available at www.onvif.org, as well as VAPIX® from Axis Communications, spec. available at www.axis.com



Lens

Megapixel lens 2.8mm F2.6 HAoV@16/9=90° HAoV@4/3=78°

Zones*.

Group I (Mining)	ATEX / IECEx / EAC-Ex	
Category	Ma	Mb
Suitable	✗	✓

Group II (Gas & Dust)	ATEX / IECEx / EAC-Ex				
Zone	0	1	2	21	22
Suitable	✗	✓	✓	✓	✓

* = Depending on Model. Further certifications upon request.

** = Mining only for variants with armoured cable and plug termination

Dimension.

T08-VA1.2.K1.BOR

