

ExCam® IPP1488



Datasheet.

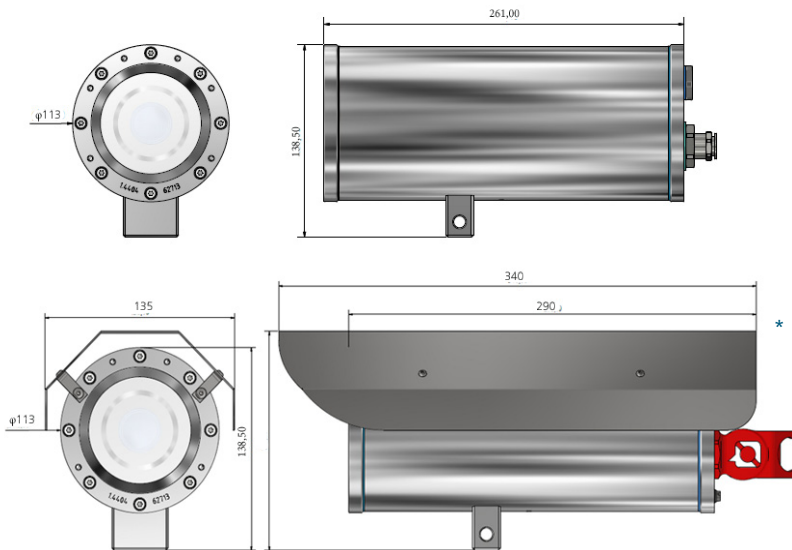
Features.

- ✓ Broad Certification Landscape for Hazardous Areas (ATEX, IECEx, & more)
- ✓ Arctic-Temperature-Control (-60°C)
- ✓ Single-Cable-Solution (PoE)
- ✓ Protection Level of IP66/68 (IEC 60529)
- ✓ High Resolution: 3840x2160 (8 MP@25/30 fps)
- ✓ Powerful Remote varifocal lens
- ✓ Lightfinder 2.0 and Forensic WDR Technologies
- ✓ Object Analytics thanks to Deep Learning Processing Unit (DLPU)
- ✓ H.264, H.265 and AV1 - Codec (Videoquality)



Dimensions [mm].

T08-VA2.2.K4.BOR3



flipConnect® Termination.

T08- VA2.2.K4.BOR3-X.X-000.X-X



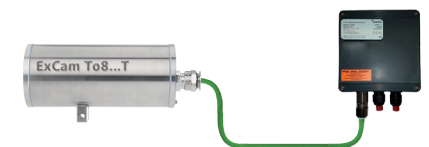
Plug Termination.

T08- VA2.2.K4.BOR3-X.X-XXX.X-P



TerminalBox Termination.

T08- VA2.2.K4.BOR3-X.X-XXX.X-T



Models

T08- VA.2.2.K4.BOR3- X- X- XXX- X- X

↓
 P= Plug RJ45 cable connector (standard)
 T= Terminal box (Ex-e) connection
 X= flipConnect®
 N = Non armoured cable (standard)
 A= Armoured cable
 X= flipConnect®
 ___ = Cable length (see UM) (005 = standard)
 H = High temperature battery installed ($T_{amb} \leq +60^{\circ}C$)
 L = Low temp., no heater installed ($T_{amb} \geq -40^{\circ}C$)
 LL= Low Low temp., PTC heater installed ($T_{amb} \geq -60^{\circ}C$)
 VA2.2.K4.BOR3 = Camera in stainless steel enclosure 1.4404
 T08 = ATEX, IECEx & EAC-Ex camera type No. 08 (TÜV 18...)

Data.



Explosion protection

Declaration of conformity:
Ex- Certificates:



Ex- Marking:
Explosion protection (gas):
Explosion protection (dust):
Explosion protection (mining):



Mechanical Characteristics

Protection level (Cam/TB):
Weight:



Range of Temperature

Type ...L.H:
Type ...LL.H:



Storage conditions:



Camera power supply

no heater (...-L.H-...)
with heater (...-LL.H-...):



Connection cable type

Outside diameter:



Lens

Type:
Field of view:

Minimum Object Distance (MOD):
Minimum illumination:



Camera

Image sensor:
Shutter time:
Videocompression:



Resolution:
Frame rate:
Video streaming:

Image settings:

Pan/Tilt/Zoom:
Edge storage:



Network

Security:

Supported protocols:



System integration

Application Programming Interface:

Analytics Included:

Event triggers:
Event actions:

Data streaming:
Built-in installation aids:

Optional accessories

DIN EN/IEC/GOST... 60079-0/ 1/ 7/ 31
TUEV-18-ATEX-8218X, IECEx-TUR-18.0023X,
INMETRO TUEV 23.0363X, No. TC RU C-DE.HA65.B.01652/22,
TUEV-22-UKEX-7137X, IA No.: MASC MS/18-3256X,
OSHA (Taiwan): ML1112007038U1

II 2G Ex db IIC T5 Gb
 II 2D Ex tb IIIC T95°C Db
 I M2 Ex db I Mb**

Camera: Stainless Steel (AISI 316L/1.4404)
IP66/68 (IEC/EN 60529)
< 7.0 kg

-40°C to +60°C
-60°C to +60°C
-40°C to +65°C, non-condensing; (put into operation at T > 0°C)

PoE, IEEE 802.3af/802.3at, C3, typ. 8.0W, max. 12.95 W
PoE++, IEEE 802.3bt, C7, typ. 45.0 W, max. 60.0 W

WWW.SAMCON.EU (A)SKD02-T Cat.6 / 4x2xAWG23/1 GN J/W (3G1.5)
8.9 ± 0.3mm / 12.0mm ± 0.4mm

Remote varifocal lens, P-Iris-aperture-control, 5.9 - 13.8 mm, F1.5 - 2.8
8 MP horizontal: 114° – 46°, vertical: 62° – 26°

0.6 m
Color: 0.06 lux at 50 IRE F1.6, S/W: 0.01 lux at 50 IRE F1.6

1/1.2" progressive scan RGB CMOS
1/66500 s bis 2 s, Data Overview Mode 1/33500 s to 2 s
H.264 (MPEG-4 Part 10/AVC) Baseline, Main and High Profile
H.265 (MPEG-HPart2/HEVC) Main Profil AV1, Motion JPEG
8 MP: 3840x2160 bis 640x360
Up to 25/30 fps
Multiple, individually configurable streams in H.264, H.265 and AV1
Axis Zipstream technology in H.264, H.265 and AV1
Controllable frame rate and bandwidth, VBR/ABR/MBR H.264/H.265/AV1
Forensic WDR, manual shutter time, compression, color, contrast, brightness, sharpness, white balance,
exposure control, exposure zones, barrel distortion correction,
Text- und Bild-Overlay, aspect ratio correction, mirroring of images, text and image overlay, privacy masks,
rotation: 0°, 90°, 180°, 270° including Corridor Format
Digital zoom, digital PTZ
microSD/microSDHC/microSDXC supporting memory card up to 64 GB (card not included);
Support for recording to dedicated network-attached storage (NAS)

Password protection, IP adress filtering, HTTPS encryption, digest -authentication,
user access log, brute force delay protection, signed firmware, secure boot,...

IPv4/v6, HTTP/2, HTTPS², QoS Layer 3 DiffServ, FTP, SMTP, Bonjour, UPnP, SNMPv1/v2c/
v3(MIB-II), DNS/DNSv6, DDNS, NTP, RTSP, RTP, TCP, UDP, IGMPv1/v2/v3, etc...

Open API for software integration, including VAPIX® and AXIS Camera
Application Plattform ACAP; specification at www.axis.com/developer-community;
One-Click Cloud Connect
ONVIF® Profile G/M/S and ONVIF® Profile T, specification at onvif.org
Deep Learning Processing Unit (DLPU), AXIS Object Analytics, AXIS Video Motion Detection,
active tampering alarm, Support for AXIS Camera Application Plattform:
enabling installation of third-party applications, see www.axis.com/acap
Analytics, edge storage events, supervised external input, virtual inputs through API
Pre- and post-alarm video buffering; File-Upload: FTP, SFTP, HTTP, HTTPS, network share and email
Notification: E-Mail, HTTP, HTTPS, TCP
Event data
Pixel counter

Wall mount bracket (WMB), Pole mount bracket (PMB), Ceiling mount bracket (CMB), Wheatherprotectionroof
(WPR-VA2.X), ...

* = Illustrations show models with accessories that are subjected to an extra charge

** = Mining certification applies only to models with armoured cable and plug termination or via flipConnect®

