

ExCam® IPP3827



Datasheet.

Features.

- ✓ Certification for Hazardous Areas (ATEX, IECEx, EAC-Ex, INMETRO, ...)
- ✓ 180° Panoramic View , 90° Vertical Coverage
- ✓ Seamlessly Stitched Images of 4x 1/2.8" Sensors
- ✓ High Resolution: 3712x1856 (7 MP@30fps)
- ✓ Dome with Optimized UV and Scratch Resistance
- ✓ Equipped with Lightfinder and Forensic WDR
- ✓ Advanced Analytics thanks to DLPU
- ✓ Easy Plug & Play Cable Connection via flipConnect



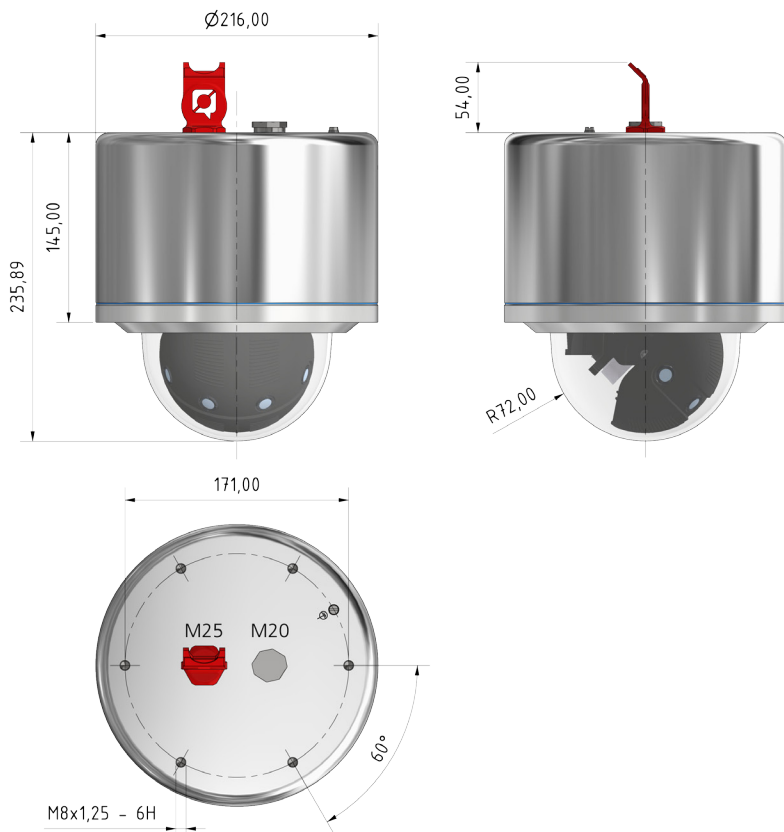
Zones.

Group II (Gas & Dust)	ATEX / IECEx / ...				
Zone	0	1	2	21	22
For use in	✗	✓	✓	✓	✓

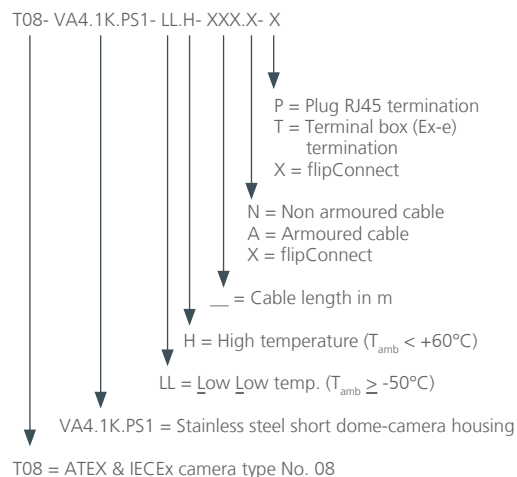
Further certifications upon request.

Dimensions [mm].

T08 - VA4.1K.PS1 - LL.H - 000.X - X
Electrical connection via flipConnect



Models.



Data.



Explosion protection
Declaration of conformity:

DIN ENIEC/GOST ... 60079-0, DIN ENIEC/GOST ... 60079-1,
DIN ENIEC/GOST ... 60079-7, DIN ENIEC/GOST ... 60079-31
TUEV-18-ATEX-8218X, IECEx-TUR-18.0023X,
INMETRO TUEV 23.0363X, No. TC RU C-DE.HA65.B.01652/22,
TUEV-22-UKEX-7137X, PESO: A/P/HQ/KA/104/5735,
IA No.: MASC MS/18-3256X



Ex- Certificates:



Ex- Marking of the camera:

II 2G Ex db IIC T6 Gb
 II 2D Ex tb IIIC T80°C Db



Explosion protection (gas):
Explosion protection (dust):
Ex- Marking of the terminal box:

II 2G Ex eb IIC T5 Gb
 II 2D Ex tb IIIC T95°C Db IP66

Explosion protection (gas):
Explosion protection (dust):



Mechanical characteristics:

Housing material:
Protection level (camera/terminal box):
Weight:

Camera: Stainless Steel (AISI 316L/1.4404), terminal box: polyester resin
IP68 / IP66 (IEC/EN 60529) / IP66
Approx. 15 kg



Range of temperature:

Storage temperature:

-50°C bis +60°C
-40°C bis +65°C



Camera power supply:

IEEE 802.3at Type 2 Class 4 , typical:12W, max. 18W



Electrical connection:

RJ45 socket via flipConnect or cable with plug or terminal box termination

Cable type:

WWW.SAMCON.EU ... / Cat6 / 4x2xAWG23

Outer diameter:

8.9 mm to 12.4 mm



Lens

Type:
Angle of view:
Minimum illumination:
Minimum focus distance:

Fixed f= 3.3 mm, F2.0, automatically infrared-cut filter, hybrid IR-filter
Horizontal field of view: 180°, vertical field of view: 90°
Color: 0.15 lux, F2.0, B/W: 0.05 lux, F2.0
1 m



Camera

Image sensor:
Shutter time:
Camera angle adjustment:
Video compression:

4x 1/2,8" progressive scan RGB CMOS
1/33500 s to 1/10 s
Pan: ±180°, Tilt: 0° to 50°, Roll: ±5°
H.264 (MPEG-4 Part 10/AVC) Baseline, Main and High Profiles,
H.265 Main Profile (MPEG-H Part 2/HEVC), Motion JPEG
3712x1856 to 640x320



Resolutions:
Frame rate:
Video streaming:

Up to 25/30 fps. (50/60 Hz) in all resolutions
Up to 20 unique and configurable video streams,
Axis Zipstream technology in H.264 and H.265; controllable
frame rate and bandwidth; VBR/ABR/MBR H.264/H.265;
low latency mode; video streaming indicator

Image settings:

Horizon straightening, saturation, contrast, brightness, sharpnes,
Forensic WDR: up to 120dB depending on scene, white balance, day/night threshold,
exposure mode, compression, dynamic text and image overlay, exposure control,
noise reduction, fine tuning of behavior at low light, polygon privacy masks
microSD/SDHC/SDXC slot supporting memory card (card not included);
Support for recording to dedicated network-attached storage (NAS)

Edge storage:



Network

Security:

Password protection, IP address filtering, HTTPS* encryption,
digest authentication, user access log, ...



Supported protocols:

Hardware: Secure boot, Axis Edge Vault (see axis.com/solutions/edge-vault)
IPv4/v6, USGv6, ICMPv4/v6, HTTP, HTTPS, HTTP/2, TLS, QoS Layer 3 DiffServ, FTP, SFTP,
CIFS/SMB, SMTP, mDNS (Bonjour), UPnP, SNMPv1/v2c, v3(MIB-II), DNS/DNSv6, DDNS, NTP,
NTS, RTSP, RTP, SRTP/RTSPS, TCP, UDP, IGMPv1/v2/v3, RTCP, ICMP, DHCPv4/v6, etc...

Application Programming Interface:

Open API for software integration, including supporting
the ONVIF G/M/S/T specification available at <http://onvif.org>,
as well as VAPIX® from Axis Communications, axis.com

Intelligent video:

Deep learning Processing Unit (DLPU), Axis Object Analytics, Video Motion Detection,
active tampering alarm, audio detection, Support for AXIS Camera Application Platform
enabling installation of third-party applications, see axis.com/acap

Alarm events:

File upload via FTP, HTTP and email, notification via email, HTTP and TCP,
Video recording to edge storage. 4 configurable alarm inputs and outputs

Optional accessories:

Wall mount bracket (WMB, for hanging mounting), Pole mount bracket (PMB),
Ceiling mount bracket (CMB), Mounting adapter for rear mounting,
ExConnection Rails, Cables and Glands...

* = illustrations show models with accessories that are subjected to an extra charge

