

ExCam® IPP5635



Datasheet.

Features.

- ✓ ATEX, IECEx and EAC-Ex Certification for hazardous areas
- ✓ High resolution: 1920x1080 (HDTV 1080p)
- ✓ Powerfull motor zoom (30x optical)
- ✓ Scratch and heat resistant LEXAN™ Dome for perfect optical quality
- ✓ Dynamic and modular PTC heating concept for arctic temperatures (-50°C)
- ✓ One-cable-wiring (PoE+) IEEE 802.3at
- ✓ Endless and very fast and precise PAN drive (0.2° – 350°/s)
- ✓ Very fast and precise TILT drive (0.2° – 350°/s)
- ✓ FOC-Connector for long distance installations



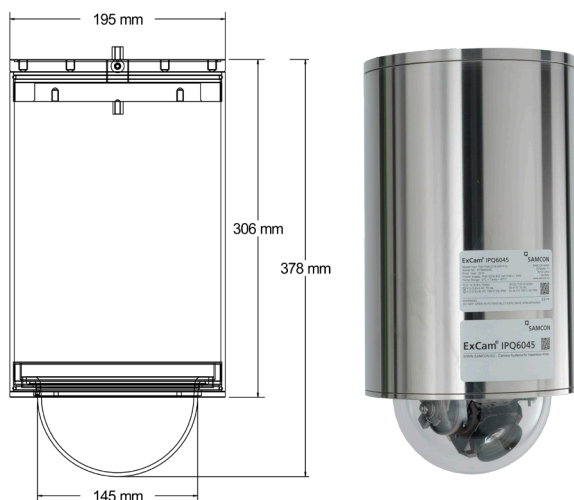
Zones.

Group I (Mining)	ATEX / IECEx / EAC-Ex		Group II (Gas & Dust)	ATEX / IECEx / EAC-Ex				
Category	Ma	Mb	Zone	0	1	2	21	22
For use in	✗	✗	For use in	✗	✓	✓	✓	✓

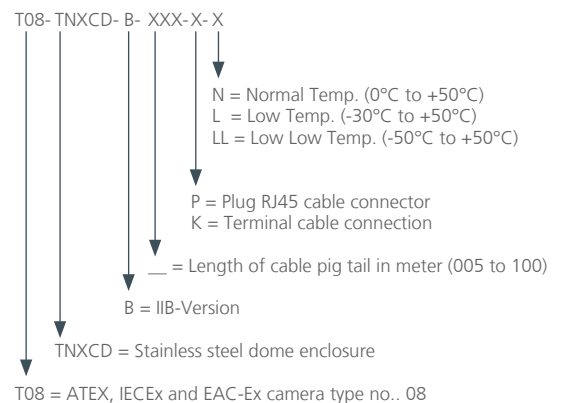
Further certifications upon request.

Dimensions.

T08-TNXCD-X-XXX-X-X



Models.



Data.

ExCam® IPP5635

Explosion protection

Declaration of conformity:

DIN EN/IEC 60079-0:2012, DIN EN/IEC 60079-1:2007
DIN EN/IEC 60079-31:2009
TR CU 012/2011, GOST R IEC 60079-0-2011,
GOST IEC 60079-1-2011, GOST R IEC 60079-31-2010



Marking acc. to ATEX directive 2014/34/EU:
Explosion protection (gas):
Explosion protection (dust):

TUEV-14-ATEX-7539X
 II 2G Ex d IIB T6 Gb
 II 2D Ex t IIIIC T80°C Db IP68



Marking according to IECEx:
Explosion protection (gas):
Explosion protection (dust):

IECEx-TUR-14.0026X
Ex d IIB T6 Gb
Ex t IIIIC T80°C Db IP68



Marking according to EAC-Ex:
Explosion protection (gas):
Explosion protection (dust):

No. TC RU C-DE.MIO62.B.01921
Ex d IIB T6 Gb
Ex tb IIIIC T80°C Db IP68



Mechanical characteristics

Housing material:
Protection level:
Weight:

Stainless Steel (AISI 316L/ CF-3M)
IP66, IP67 or IP 68 (IEC / EN 60529)
15kg



Range of temperature

T08-TNXCD-X-XXX-X-N:
T08-TNXCD-X-XXX-X-L:
T08-TNXCD-X-XXX-X-LL:

-0°C to +50°C
-30°C to +50°C
-50°C to +50°C



Electrical characteristics

Power supply of the camera:
Power supply of the heater:

IEEE 802.3at Type 2 Class 4: Typical 8 W, max. 21 W
24VDC - 30VDC; 40W @-30°C, 60W @-50°C *1



Connection cable

Outside diameter SKD02-T:
Twisted pair structure:
Outside diameter power line heater:

9,1 ±0,2 mm
4 x 2 x AWG22/1 CAT.6a
7.5 ±0,1 mm *1



Lens

Type:
Horizontal angle of view:
Minimum illumination:

4.3–129 mm, F1.6–4.7, Autofocus, Auto-Iris, Automatic day/night
65.6°–2.0° @ 16:9
Color: 0.2 lux at 30 IRE F1.6, B/W: 0.01 lux at 30 IRE F1.6
Color: 0.25 lux at 50 IRE F1.6, B/W: 0.02 lux at 50 IRE F1.6



Camera

Image sensor:
Shutter time:
Video compression:
Resolutions:
Frame rate H.264 / Motion JPEG:
Pan/Tilt/Zoom:

Progressive scan CMOS 1/2.8"
1/66500s to 2s
H.264 Main and Baseline Profiles (MPEG-4 Part 10/AVC), Motion JPEG
1920x1080 (HDTV 1080p) to 320x180
Up to 25/30 fps (50/60 Hz) in HDTV 1080p
Pan: 360° endless, 0.2°/s–350°/s, Tilt: 180°, 0.2°/s–350°/s
30x Optical zoom and 12x Digital zoom, Total 360x zoom,
100 preset positions, E-flip, Limited guard tour, Control queue,
On-screen directional indicator, Set new pan 0°, Focus window
Multiple, individually configurable streams in H.264 and Motion JPEG
Controllable frame rate and bandwidth, Axis' Zipstream technology in H.264, VBR/MBR H.264
Compression, Color, Brightness, Sharpness, Contrast, Local contrast, White balance,
Exposure control, Exposure zones, Automatic backlight compensation, Fine tuning of behavior at
low light, 120 dB WDR - Forensic Capture, Manual shutter time, Text and image overlay,
20 individual 3D privacy masks, Image freeze on PTZ Electronic Image Stabilization

Video streaming:

Image settings:



Network

Security:
Supported protocols:
Application Programming Interface:
Alarm events:

Password protection, IP address filtering, HTTPS* encryption,
digest authentication, user access log
IPv4/v6, HTTP, HTTPS*, QoS Layer 3 DiffServ, FTP, SMTP,
Bonjour, UPnP, SNMPv1/v2c, v3(MIB-II),
DNS, DynDNS, NTP, RTSP, RTP, TCP, UDP, IGMP, etc...
Open API for software integration, including supporting
the ONVIF S specification available at www.onvif.org,
as well as VAPIX® from Axis Communications,
File upload via FTP, HTTP and email notification via email,
HTTP and TCP, Video recording to edge storage



*1:) only for *L & *LL models



SAMCON



Schillerstraße 17
D-35102 Lohra-Altenvers
info@samcon.eu
www.samcon.eu
T: +49 6426 9231-0

© SAMCON GmbH. All rights and technical changes reserved. No liability for wrong or missing data