

ExCam® IPP5655



Datasheet.

Features.

- ✓ Broad Certification Landscape for **Hazardous Areas** (ATEX, IECEx, EAC-Ex and more)
- ✓ High resolution: **1920x1080** (HDTV 1080p)
- ✓ Powerful motor zoom (**32x optical**)
- ✓ Scratch and heat resistant **LEXAN™ Dome** for perfect **optical quality**
- ✓ Dynamic and modular **PTC heating** concept for **arctic temperatures (-50°C)**
- ✓ One-cable-wiring (**PoE+**) IEEE 802.3at
- ✓ Endless and very **fast and precise PAN** drive (0.1° – 350°/s)
- ✓ Very **fast and precise TILT** drive (0.1° – 350°/s)



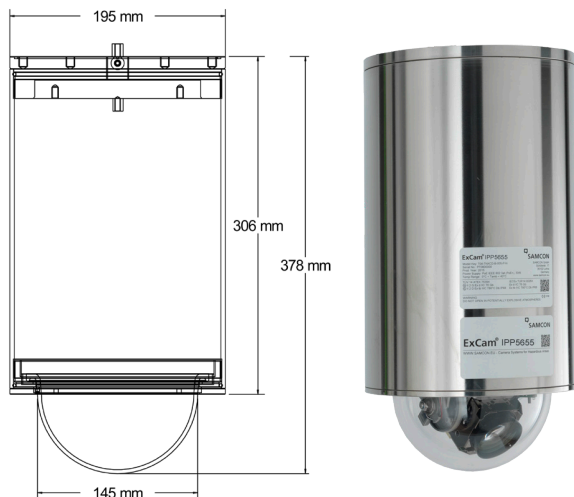
Zones.

Group I (Mining)	ATEX / IECEx / EAC-Ex		Group II (Gas & Dust)	ATEX / IECEx / EAC-Ex				
Category	Ma	Mb	Zone	0	1	2	21	22
For use in	✗	✗	For use in	✗	✓	✓	✓	✓

Further certifications upon request.

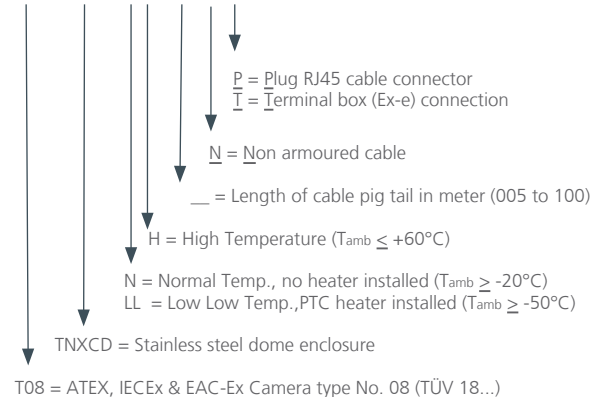
Dimensions.

T08-TNXCD-X.H-XXX.N-X



Models.

T08-TNXCD-X.H-XXX.N-X



Data.



Explosion protection
Declaration of conformity:

Ex- Certificates:



Ex-Marking of the camera
Explosion protection (gas):
Explosion protection (dust):
Ex- Marking of the junction box:
Explosion protection (gas):
Explosion protection (dust):



Mechanical characteristics
Housing material:
Protection level (CAM/TB):
Weight:



Range of temperature
T08-TNXCD-N.H-XXX.N-X:
T08-TNXCD-LL.H-XXX.N-X:



Electrical characteristics
Power supply of the camera:
Power supply of the heater:



Connection cable type:
Outside diameter:



Lens
Type:
Horizontal angle of view:
Minimum illumination:



Camera

Image sensor:
Shutter time:
Video compression:
Resolutions:
Frame rate:
Pan/Tilt/Zoom:

Video streaming:

Image settings:

Progressive scan CMOS 1/2.8"
1/66500s to 2s
H.264 Main and Baseline Profiles (MPEG-4 Part 10/AVC), H.265 and Motion JPEG
1920x1080 (HDTV 1080p) to 320x180
Up to 60/50 fps (60/50 Hz) in all resolutions
Pan: 360° endless, 0.1°/s–350°/s, Tilt: 160°@58.3 FoV, 0.1°/s–350°/s
32x Optical zoom and 12x Digital zoom, Total 384x zoom,
256 preset positions, E-flip, Limited guard tour, Control queue,
On-screen directional indicator, Set new pan 0°, Focus window
Multiple, individually configurable streams in H.264, H.265 and Motion JPEG
Controllable frame rate and bandwidth, Axis' Zipstream technology in H.264, VBR/MBR H.264
Compression, Color, Brightness, Sharpness, Contrast, Local contrast, White balance,
Exposure control, Exposure zones, Automatic backlight compensation, Fine tuning of behavior at
low light, 120 dB WDR - Forensic Capture, Manual shutter time, Text and image overlay,
20 individual 3D privacy masks, Image freeze on PTZ Electronic Image Stabilization



Network

Security:
Supported protocols:
Application Programming Interface:
Alarm events:

Password protection, IP address filtering, HTTPS* encryption,
digest authentication, user access log
IPv4/v6, HTTP, HTTPS*, QoS Layer 3 DiffServ, FTP, SMTP,
Bonjour, UPnP, SNMPv1/v2c/, v3(MIB-II),
DNS, DynDNS, NTP, RTSP, RTP, TCP, UDP, IGMP, etc...
Open API for software integration, including supporting
the ONVIF S specification available at www.onvif.org,
as well as VAPIX® from Axis Communications,
File upload via FTP, HTTP and email notification via email,
HTTP and TCP, Video recording to edge storage



Optional accessories:

Wall mount bracket, Pole mount bracket, Ceiling mount bracket,
ExConnection Rails, ...

* = depending on model (see user manual)

** = only for LL models

*** = illustration shows model with accessories that are subjected to an extra charge

DIN EN/IEC/GOST ... 60079-0, DIN EN/IEC/GOST ... 60079-1,
DIN EN/IEC/GOST ... 60079-7, DIN EN/IEC/GOST ... 60079-31
TUEV-18-ATEX-8218X, IECEx-TUR-18.0023X,
No. TC RU C-DE.HA65.B.01652/22, TUEV-22-UKEX-7137X,
PESO: A/P/HQ/KA/104/5735

Ex II 2G Ex db IIC T6 Gb

Ex II 2D Ex tb IIIC T80°C Db

Ex II 2G Ex eb IIC T5 Gb

Ex II 2D Ex tb IIIC T95°C Db (IP66)

Stainless Steel (AISI 316L/1.4404), Polyester resin
IP68, IP66 (IEC/EN 60529)
Approx. 15.3kg*

-20°C to +60°C
-50°C to +60°C

IEEE 802.3at Type 2 Class 4 (8PoE+): Typical 10.5 W, max. 19 W
Max. 60W@24VDC@-50°C (see usermanual)**

WWW.SAMCON.EU ... Cat.6 / 4x2xAWG23/1 ... *
8.9 mm - 12.4 mm*

4.3–137.6 mm, F1.4–4.0, Autofocus, Auto-Iris, Automatic day/night
58.3°–2.4° @ 16:9
Color: 0.1 lux at 30 IRE F1.4, B/W: 0.02 lux at 30 IRE F1.4



SAMCON

