

ExCam® IPQ1615



Datasheet.

Features.

- ✓ Broad Certification Landscape for **Hazardous Areas** (ATEX, IECEx & EAC-Ex and more)
- ✓ **Deep Learning Processing Unit (DLPU)** for Artificial Intelligence (AI) Applications
- ✓ Granular **Object Classification**
- ✓ Ki-based **Dynamic Privacy Shield**
- ✓ High Resolution: **1920x1080 (HDTV1080p at 100/120 fps)**
- ✓ Powerful Remote Zoom and Focus Lens (supports i-CS)
- ✓ High Light Sensitivity with **1/2.8" CMOS Sensor**
- ✓ **Arctic-Temperature-Control (-60°C)**
- ✓ **Single-Cable-Solution (PoE / 24VDC)**
- ✓ Protection Level of **IP66/68 (IEC 60529)**
- ✓ **Electronic Image Stabilization (EIS)**
- ✓ **Optional Enclosure Cooling System** allows Use at +130°C

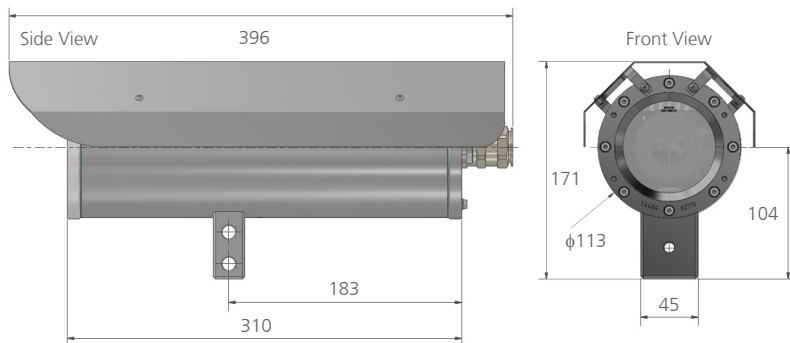


Zones.

Group II (Gas & Dust)	ATEX / IECEx / EAC-Ex				
Zone	0	1	2	21	22
For use in	✗	✓	✓	✓	✓

More certificates upon request .

Dimensions [mm].



Models.

T08- VA.2.3.K3.BOR2- X.X- XXX.X- X

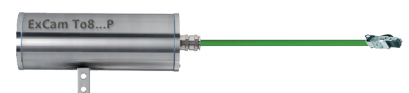
P = Plug RJ45 cable connector (standard)
 T = Terminal box (Ex-e) connection
 N = Non armoured cable (standard)
 A = Armoured cable
 ___ = Cable length (see UM) (005 = standard)
 H = High temp. battery installed ($T_{amb} \leq +60^{\circ}C$)
 HH = Active cooling system for high temp. ($T_{amb} \leq +130^{\circ}C$)**
 N = Normal temp., no heater installed ($T_{amb} \geq -10^{\circ}C$)
 LL = Low Low temp., PTC heater installed ($T_{amb} \geq -60^{\circ}C$)

VA2.3.K3.BOR2 = Camera in stainless steel enclosure 1.4404

T08 = ATEX, IECEx & EAC-Ex camera type No. 08 (TÜV 18..)

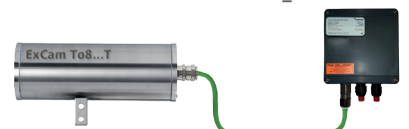
Plug Termination.

T08- VA2.3.K3.BOR2-X.X-XXX.X-P



Terminal Box Termination.

T08- VA2.3.K3.BOR2-X.X-XXX.X-T



Data.



Explosion protection

Declaration of conformity:



Ex- Certificates:



Ex- Marking of the camera:
Explosion protection (gas):
Explosion protection (dust):
Explosion protection (mining):
Ex- Marking of the junction box:
Explosion protection (gas):
Explosion protection (dust):



Mechanical Characteristics (CAM/TB)

Protection level (CAM/TB):
Weight:



Range of temperature

Type ...N.H:
Type ...LL.H:
Type ...N.HH:



Camera power supply Heater power supply



Connection cable type

Outside diameter:



Lens

Type:
Field of view:
Minimum illumination:



Camera

Image sensor:
Shutter time:
Videocompression:



Resolution:
Frame rate:
Video streaming:

Image settings:

Pan/Tilt/Zoom:
Edge storage:



Network

Security:
Supported protocols:



System integration

Application Programming Interface:

Analytics Included:

Event triggers:
Event actions:

Data streaming:
Built-in installation aids:

Optional accessories

DIN EN/IEC/GOST... 60079-0, DIN EN/IEC/GOST... 60079-1,
DIN EN/IEC/GOST... 60079-7, DIN EN/IEC/GOST... 60079-31
TUEV-18-ATEX-8218X, IECEx-TUR-18.0023X,
No. TC RU C-DE.HA65.B.01652/22, TUEV-22-UKEX-7137X,
PESO: A/P/HQKA/104/5735

II 2G Ex db IIC T5 Gb
II 2D Ex tb IIIC T95°C Db
I M2 Ex db I Mb***

II 2G Ex eb IIC T5 Gb
II 2D Ex tb IIIC T95°C Db (IP66)

Stainless Steel (AISI 316L/1.4404), Polyester resin
IP66/68, IP66 (IEC/EN 60529)
ca.11 kg

-10°C bis +60°C
-60°C bis +60°C
-10°C bis +130°C**

IEEE 802.3af/802.3at Type 1 Class 3, typical 8.2 W, max 12.95 W
40W@24VDC@-60°C (see user manual)

WWW.SAMCON.EU ... Cat.6 / 4x2xAWG23/1 ...
9 mm - 17 mm

IR corrected i-CS lens; 2.8 – 8.5 mm, F1.2
HfOV: 98° – 40°, VfoW: 61° – 22°
Color: 0.05 lux at 50 IRE F1.2, B/W: 0.01 lux at 50 IRE F1.2
(25/30 fps with WDR and Lightfinder)

1/2.8" progressive scan RGB CMOS
1/125000 s to 2 s
H.264 (MPEG-4 Part 10/AVC) Baseline, Main and High Profiles,
H.265 (MPEG-H Part 2/HEVC) Main Profile, Motion JPEG
1920x1080 to 160x90
Up to 100/120 fps (60/50 Hz) in 1920x1080 (no WDR)
Multiple, individually configurable streams in H.264, H.265 and Motion JPEG
Axis Zipstream technology in H.264 and H.265
Controllable frame rate and bandwidth, VBR/ABR/MBR H.264/H.265
Saturation, contrast, brightness, sharpness, Forensic WDR, white balance, day/night threshold, tone mapping,
exposure mode, exposure zones, defogging, mirroring of images, electronic image stabilization, compression,
barrel distortion correction, dynamic text and image overlay, privacy masks, mirroring of images,
rotation: 0°, 90°, 180°, 270° including Corridor Format
Remote Zoom and Remote Focus
SD/SDHC/SDXC slot supporting memory card up to 64 GB (card not included);
Support for recording to dedicated network-attached storage (NAS)

Password protection, IP address filtering, HTTPS encryption, digest authentication, user access log
IPv4/v6, HTTP, HTTPS, QoS Layer 3 DiffServ, FTP, SMTP, Bonjour, UPnP, SNMPv1/v2c, v3(MIB-II),
DNS, DynDNS, NTP, RTSP, RTP, TCP, UDP, IGMP, etc...

Open API for software integration, including VAPIX® and AXIS Camera Application Platform;
specifications at www.axis.com; AXIS Video Hosting System (AVHS) with One-Click Connection;
ONVIF® Profile S, ONVIF® Profile T and ONVIF® Profile G, specification at onvif.org
Deep Learning Processing Unit (DLPU), Machine Learning Processing Unit (MLPU),
AXIS Object Analytics, AXIS Motion Guard, AXIS Loitering Guard, AXIS Video Motion Detection,
active tampering alarm, audio detection, gatekeeper Supported AXIS Perimeter Defender,
AXIS Cross Line Detection, Support for AXIS Camera Application Platform enabling installation of
third-party applications, see www.axis.com/acap
Analytics, edge storage events, supervised external input, edge storage events, virtual inputs through API
Pre- and post-alarm video buffering
File upload: FTP, SFTP, HTTP, HTTPS, network share and email
Notification: email, HTTP, HTTPS, TCP and SNMP trap
Event data
Pixel counter

Wall mount bracket, Pole mount bracket, Ceiling mount bracket,
Non-armoured cable kits, Armoured cable kits, ExConnection Rails, ...

* = illustrations show models with accessories that are subjected to an extra charge

** = this model requires the SAMCON cool.Jacket. The temperature class must be reduced to T3. The cooling water according to the requirements must be available or be produced.

*** = mining only for variants with armoured cable and plug termination

