

# ExCam® IPQ3628



## Datasheet.

### Features.

- ✓ Certification for Hazardous Areas (ATEX, IECEx, EAC-Ex, INMETRO, ... )
- ✓ Remote Adjustment of the Camera Angle, (Remote-PTRZ-Functionality)
- ✓ 4K Network Video, outstanding Image Quality
- ✓ High Resolution: 3840x2160 (8 MP@30fps)
- ✓ Dome with Optimized UV and Scratch Resistance and Superhydrophobic Surface
- ✓ Equipped with Lightfinder and Forensic WDR
- ✓ Advanced Analytics thanks to DLPU (Deep Learning)
- ✓ Easy Plug & Play Cable Connection via flipConnect



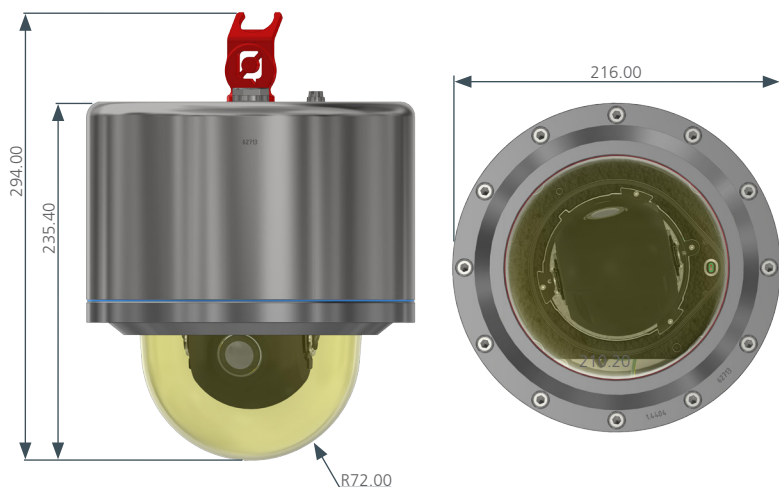
### Zones.

Group II (Gas & Dust)	ATEX / IECEx / ...				
Zone	0	1	2	21	22
For use in	✗	✓	✓	✓	✓

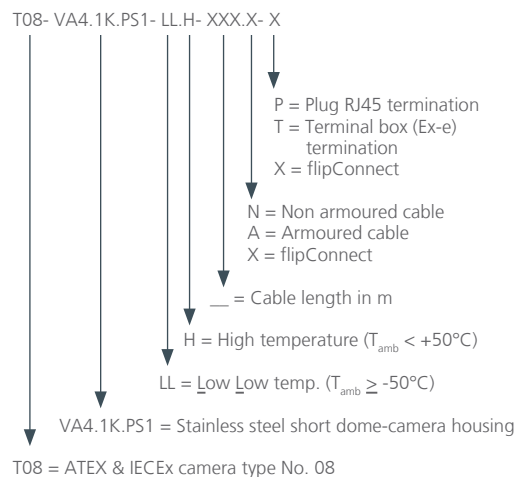
Further certifications upon request.

### Dimensions [mm].

T08 - VA4.1K.PS1 - LL.H - 000.X - X  
Electrical connection via flipConnect



### Models.



## Data.



**Explosion protection**  
Declaration of conformity:



Ex- Certificates:



**Ex- Marking of the camera:**



Explosion protection (gas):  
Explosion protection (dust):  
Ex- Marking of the terminal box:  
Explosion protection (gas):  
Explosion protection (dust):

DIN ENIEC/GOST ... 60079-0, DIN ENIEC/GOST ... 60079-1,  
DIN ENIEC/GOST ... 60079-7, DIN ENIEC/GOST ... 60079-31  
TUEV-18-ATEX-8218X, IECEx-TUR-18.0023X,  
INMETRO TUEV 23.0363X, No. TC RU C-DE.HA65.B.01652/22,  
TUEV-22-UKEX-7137X, IA No.: MASC MS/18-3256X

II 2G Ex db IIC T6 Gb  
 II 2D Ex tb IIIC T80°C Db

II 2G Ex eb IIC T5 Gb  
 II 2D Ex tb IIIC T95°C Db IP66



**Mechanical characteristics:**



Housing material:  
Protection level (camera/terminal box):  
Weight:

Camera: Stainless Steel (AISI 316L/1.4404), terminal box: polyester resin  
IP68 / IP66 (IEC/EN 60529) / IP66  
Approx. 15 kg



**Range of temperature:**

-50°C bis +50°C



**Camera power supply:**

IEEE 802.3at Type 2 Class 4 , typical: 8W, max. 25W



**Electrical connection:**

RJ45 socket via flipConnect or cable with plug or terminal box termination



**Cable type:**

WWW.SAMCON.EU ... / Cat6 / 4x2xAWG23

Outer diameter:

8.9 mm to 12.4 mm



**Lens**

Type:  
Angle of view:  
Minimum illumination:  
Minimum focus distance:

Varifocal, 6.2–12.9 mm, F1.6–2.9, automatic IR-cut filter, P-Iris control  
Horizontal field of view: 103° - 48°; vertical field of view: 56° - 27°  
Color: 0.07 lux at 50 IRE, F1.6, B/W: 0.01 lux at 50 IRE, F1.6  
1.5 m



**Camera**

Image sensor:  
Shutter time:  
Camera angle adjustment:  
Video compression:

1/1.2" progressive scan RGB CMOS, Pixel size 2.9 µm  
1/66500 s to 2s with 60 Hz  
Pan: ±190°, Tilt: -8° to +75°, Roll: ±97°  
H.264 (MPEG-4 Part 10/AVC) Baseline, Main and High Profiles,  
H.265 Main Profile (MPEG-H Part 2/HEVC), Motion JPEG



Resolutions:

3840x2160 to 160x90 (16:9)  
1280 x 800 to 160 x 100 (16:10)  
2880 x 2160 to 160 x 120 (4:3)

Frame rate:

With Forensic WDR: Up to 25/30 fps. (50/60 Hz) in all resolutions  
Without Forensic WDR: Up to 50/60 fps. (50/60 Hz) in all resolutions

Video streaming:

Up to 20 unique and configurable video streams,  
Axis Zipstream technology in H.264 and H.265; controllable  
frame rate and bandwidth; VBR/ABR/MBR H.264/H.265;  
low latency mode; video streaming indicator

Multi-View-Streaming:

Up to 8 individually cropped out view areas

Image settings:

Saturation, contrast, brightness, sharpness, white balance, day/night threshold, local contrast,  
tone mapping, exposure mode, exposure zones, defogging, barrel distortion correction,  
electronic image stabilization, compression, rotation: 0°, 90°, 180°, 270° including corridor format,  
mirroring, dynamic text and image overlay, polygon privacy mask, target aperture,

Edge storage:

Forensic WDR: Up to 120 dB depending on scene, Noise reduction  
microSD/SDHC/SDXC slot supporting memory card (card not included);  
Support for recording to dedicated network-attached storage (NAS)



**Network**

Security:

Password protection, IP address filtering, HTTPS\* encryption, digest authentication, user access log, ...

Supported protocols:

Hardware: Secure boot, Axis Edge Vault (see axis.com/solutions/edge-vault)  
IPv4, IPv6 USGv6, ICMPv4/ICMPv6, HTTP, HTTPS, HTTP/2, TLS, QoS Layer 3 DiffServ, FTP, SFTP, CIFS/SMB,  
SMTP, mDNS (Bonjour), UPnP®, SNMP v1/v2c/v3 (MIB-II), DNS/DNSv6, DDNS, NTP, NTS, RTSP, RTP, SRTP/  
RTSPS, TCP, UDP, IGMPv1/v2/v3, RTCP, ICMP, DHCPv4/v6, ARP, SSH, LLDP, CDP, MQTT v3.1.1, Secure syslog  
(RFC 3164/5424, UDP/TCP/TLS), Link-Local address (ZeroConf), IEEE 802.1X (EAP-TLS), IEEE 802.1A  
Open API for software integration, including supporting the ONVIF G/M/S/T specification available at  
http://onvif.org, as well as VAPIX® from Axis Communications, axis.com

Application Programming Interface:

Intelligent video:

Deep Learning Processing Unit (DLPU), Axis Object Analytics (Object classes: humans, vehicles (types: cars,  
buses, trucks, bikes, other); Scenarios: line crossing, object in area, crossline counting, occupancy in area,  
time in area; Up to 10 scenarios; Other features: triggered objects visualized with trajectories, color-coded  
bounding boxes and tables, Polygon include/exclude areas, Perspective configuration, ONVIF Motion Alarm  
event), AXIS Scene Metadata, AXIS Video Motion Detection, active tampering alarm, audio detection,  
AXIS Live Privacy Shield; Supported: AXIS Perimeter Defender, AXIS License Plate Verifier, Support for AXIS  
Camera Application Platform enabling installation of third-party applications, see axis.com/acap

Alarm events:

File upload via FTP, HTTP and email, notification via email, HTTP and TCP,  
Video recording to edge storage.

**Optional accessories:**

Wall mount bracket (WMB), Pole mount bracket (PMB), Ceiling mount bracket (CMB),  
Mounting adapter for rear mounting, ExConnection Rails, Cables and Glands...

\* = illustrations show models with accessories that are subjected to an extra charge