

ExCam® IPQ6055



Datasheet.

Features.

- ✓ ATEX, IECEx and EAC-Ex Certification for hazardous areas
- ✓ High resolution: 1920x1080 (HDTV 1080p)
- ✓ Powerfull motor zoom (32x optical)
- ✓ Scratch and heat resistant LEXAN™ Dome for perfect optical quality
- ✓ Dynamic and modular PTC heating concept for arctic temperatures (-50°C)
- ✓ One-cable-wiring (PoE+) IEEE 802.3at
- ✓ Endless and very fast and precise PAN drive (0.05° – 450°/s)
- ✓ Very fast and precise TILT drive (0.05° – 450°/s)
- ✓ Manual fan control for anti-condensation
- ✓ FOC-Connector for long distance installations



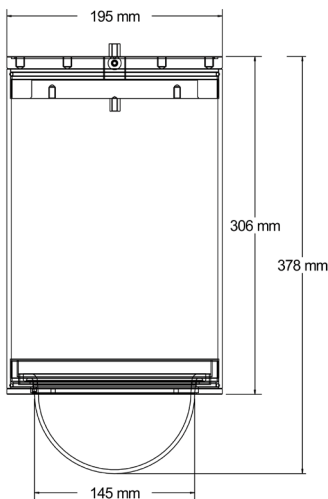
Zones.

Group I (Mining)	ATEX / IECEx / EAC-Ex		Group II (Gas & Dust)	ATEX / IECEx / EAC-Ex				
Category	Ma	Mb	Zone	0	1	2	21	22
For use in	✗	✗	For use in	✗	✓	✓	✓	✓

Further certifications upon request.

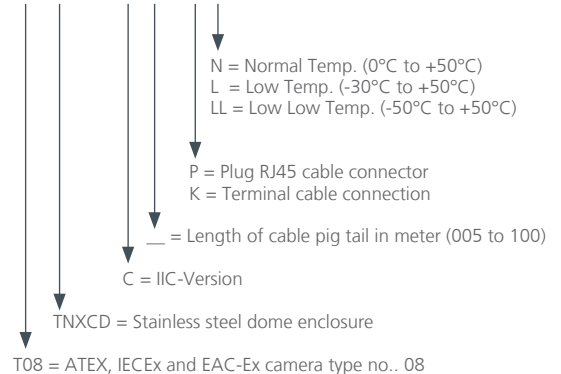
Dimensions.

T08-TNXCD-X-XXX-X-X



Models.

T08-TNXCD-C-XXX-X-X



Data.

ExCam® IPQ6055

Explosion protection

Declaration of conformity:

DIN EN/IEC 60079-0:2012, DIN EN/IEC 60079-1:2007
DIN EN/IEC 60079-31:2009
TR CU 012/2011, GOST R IEC 60079-0-2011,
GOST IEC 60079-1-2011, GOST R IEC 60079-31-2010



Marking acc. to ATEX directive 2014/34/EU:
Explosion protection (gas):
Explosion protection (dust):

TUEV-14-ATEX-7539X
II 2G Ex d IIC T6 Gb
II 2D Ex t IIIC T80°C Db IP68



Marking according to IECEx:
Explosion protection (gas):
Explosion protection (dust):

IECEx-TUR-14.0026X
Ex d IIC T6 Gb
Ex t IIIC T80°C Db IP68



Marking according to EAC-Ex:
Explosion protection (gas):
Explosion protection (dust):

No. TC RU C-DE.MIO62.B.01921
Ex d IIC T6 Gb
Ex tb IIIC T80°C Db IP68



Mechanical characteristics

Housing material:
Protection level:
Weight:

Stainless Steel (AISI 316L/ CF-3M)
IP66, IP67 or IP 68 (IEC / EN 60529)
15kg



Range of temperature

T08-TNXCD-X-XXX-X-N:
T08-TNXCD-X-XXX-X-L:
T08-TNXCD-X-XXX-X-LL:

-0°C to +50°C
-30°C to +50°C
-50°C to +50°C



Electrical characteristics

Power supply camera:
Power supply heater:

IEEE 802.3at Type 2 Class 4 (PoE+), typical:13W, max. 19W
max. 60W@24VDC@-50°C (see user manual)



Connection cable

Outside diameter:
Twisted pair structure (data):
Power Elements:

9.1 ± 0.2 mm (N-Models), 12,3 ± 0,3 mm (L/LL Models)
4 x 2 x AWG22/1 CAT.6a
3 x 1,5mm² (only L/LL Models)



Lens

Type:
Horizontal angle of view:
Minimum illumination:

f= 4.44 - 142.6 mm, 1.6 - 4.41, Autofocus, Auto-Iris, Automatic day/night
62.8° - 2.23°
Color: 0.3 lux at 30 IRE F1.6, BW: 0.03 lux at 30 IRE F1.6



Camera

Image sensor:
Shutter time:
Video compression:
Resolutions:
Frame rate H.264 / Motion JPEG:

Progressive scan CMOS 1/2.8"
1/33000 s to 1/3 s (50 Hz), 1/33000 s to 1/4 s (60 Hz)
H.264 Main and Baseline Profiles (MPEG-4 Part 10/AVC), Motion JPEG
1920x1080 (HDTV 1080p) to 320x180
Up to 50/60 fps (50/60 Hz) in HDTV 720p
Up to 25/30 fps (50/60 Hz) in HDTV 1080p

Pan/Tilt/Zoom:

Pan: 360° endless, 0.05° – 450°/s, Tilt: 180°, 0.05° – 450°/s,
32x Optical zoom and 12x Digital zoom, Total 384x zoom,
E-flip, 256 presets, Tour recording, Guard tour, Control queue,
On-screen directional indicator, Set new pan 0°

Video streaming:

Multiple, individually configurable streams in H.264 and Motion JPEG
Controllable frame rate and bandwidth; VBR/CBR H.264

Image settings:

Wide dynamic range (WDR), Highlight compensation, Manual shutter time,
Compression, Color, Brightness, Sharpness, White balance, Exposure control,
Exposure zones, Backlight compensation, Fine tuning of behavior at low light, Rotation,
Text and image overlay, 32 individual 3D privacy masks, Image freeze on PTZ, Automatic defog
SD/SDHC/SDXC slot supporting memory card up to 64 GB (card not included);
Support for recording to dedicated network-attached storage (NAS)

Edge storage:



Network

Security:

Password protection, IP address filtering, HTTPS* encryption,
digest authentication, user access log

Supported protocols:

IPv4/v6, HTTP, HTTPS*, QoS Layer 3 DiffServ, FTP, SMTP,
Bonjour, UPnP, SNMPv1/v2c, v3(MIB-II),
DNS, DynDNS, NTP, RTSP, RTP, TCP, UDP, IGMP, etc...



Application Programming Interface:

Open API for software integration, including supporting
the ONVIF S specification available at www.onvif.org,
as well as VAPIX® from Axis Communications,

Intelligent video:

Basic analytics (not to be compared with third-party analytics):
Video motion detection, Highlight compensation, Object
removed, Enter/exit detector, Fence detector, Object counter
Autotracking, Active Gatekeeper, AXIS Camera Application
Platform enabling installation of additional applications
File upload via FTP, HTTP and email notification via email,
HTTP and TCP, Video recording to edge storage

Alarm events:



© SAMCON GmbH Alle Rechte und technische Änderungen vorbehalten. Keine Haftung für falsche oder fehlende Daten