

ExCam® IPQ6075



Datasheet.

Features.

- ✓ Broad Certification Landscape for Hazardous Areas (ATEX, IECEx, INMETRO, EAC-Ex and more)
- ✓ High Resolution: 1920x1080 (HDTV 1080p)
- ✓ Powerful Motor Zoom (40x optical)
- ✓ Scratch and Heat Resistant LEXAN™ Dome for perfect optical Quality
- ✓ Dynamic PTC Heating Concept for arctic Temperatures (-50°C)
- ✓ Equipped with Automatic Temperature Control
- ✓ Endless and very fast and precise PAN Drive (0.05° – 450°/s)
- ✓ Very fast and precise TILT Drive (0.05° – 450°/s)



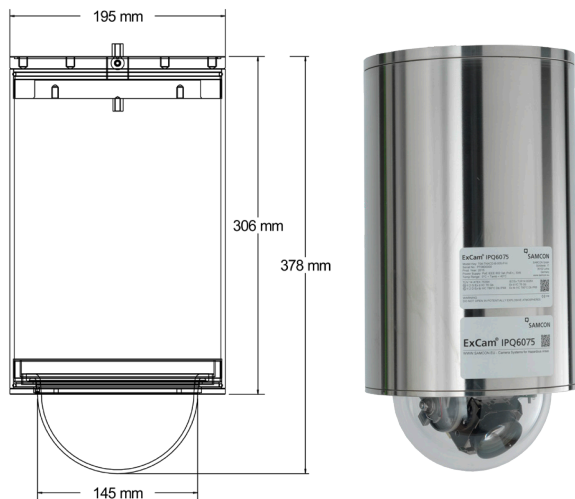
Zones.

Group I (Mining)	ATEX / IECEx / ...		Group II (Gas & Dust)					ATEX / IECEx / ...				
Category	Ma	Mb	Zone					0	1	2	21	22
For use in	✗	✗						✗	✓	✓	✓	✓

Further certifications upon request.

Dimensions.

T08-TNXCD-X.H-XXX.X-X



Models.

T08-TNXCD-X.H-XXX.X-X

- P = Plug RJ45 cable connector
- T = Terminal box (Ex-e) connection
- N = Non armoured cable
- A = Armoured cable
- = Length of cable pig tail in meter (005 to 100)
- N = High Temp. (T_{amb} ≤ +60°C)
- N = Normal Temp., no heater installed (T_{amb} ≥ 0°C)
- LL = Low Low Temp., PTC heater installed (T_{amb} ≥ -50°C)
- TNXCD = Stainless steel dome enclosure

T08 = ATEX, IECEx & EAC-Ex Camera type No. 08 (TÜV 18...)

Data.



Explosion protection
Declaration of conformity:

DIN ENIEC/GOST ... 60079-0, DIN ENIEC/GOST ... 60079-1,
DIN ENIEC/GOST ... 60079-7, DIN ENIEC/GOST ... 60079-31
TUEV-18-ATEX-8218X, IECEx-TUR-18.0023X,
INMETRO TUEV 23.0363X, No. TC RU C-DE.HA65.B.01652/22,
TUEV-22-UKEX-7137X, PESO: A/P/HQ/KA/104/5735,
IA No.: MASC MS/18-3256X



Ex- Certificates:



Ex- Marking of the camera:

II 2G Ex db IIC T6 Gb
 II 2D Ex tb IIIC T80°C Db



Explosion protection (gas):
Explosion protection (dust):
Ex- Marking of the junction box:

II 2G Ex eb IIC T5 Gb
 II 2D Ex tb IIIC T95°C Db



Explosion protection (gas):
Explosion protection (dust):

Mechanical characteristics:

Housing material:
Protection level (Camera/Terminal box):
Weight:

Camera: Stainless Steel (AISI 316L/1.4404), Terminal box: Polyester resin
IP68 / IP66 (IEC/EN 60529)
Approx. 20 kg*



Range of temperature:

-50°C to +60°C*



Camera power supply:
Heater power supply:

IEEE 802.3at Type 2 Class 4 (PoE+), typical:11W, max. 17.1W
Max. 60W@24VDC@-50°C (see user manual)**



Connection cable type:
Outside diameter:

WWW.SAMCON.EU ... / Cat.6 / 4x2xAWG23*
8.9 mm to 12.4 mm



Lens

Type:
Horizontal angle of view:
Minimum illumination:

f= 4.25 - 170.0 mm, F1.6 - 4.95, Autofocus, Auto-Iris, Automatic day/night
65° - 2°
Color: 0.1 lux at 30 IRE F1.6, B/W: 0.002 lux at 30 IRE F1.6



Camera

Image sensor:
Shutter time:
Video compression:

Progressive scan CMOS 1/2.8"
1/11000 s to 1/3 s (50 Hz), 1/11000 s to 1/4 s (60 Hz)
H.264 Main and High Profile Baseline (MPEG-4 Part 10/AVC), H.265 Main Profile (MPEG-H Part 2 HEVC),
Motion JPEG



Resolutions:
Frame rate H.264 / Motion JPEG:

1920x1080 (HDTV 1080p) to 320x180
Up to 50/60 fps (50/60 Hz) in HDTV 720p
Up to 25/30 fps (50/60 Hz) in HDTV 1080p

Pan/Tilt/Zoom:

Pan: 360° endless, 0.05° – 450°/s, Tilt: 166°, 0.05° – 450°/s,
40x optical zoom and 12x digital zoom, total 480x zoom,
E-flip, 256 presets, Tour recording, Guard tour, Control queue,
On-screen directional indicator, Set new pan 0°

Video streaming:

Multiple, individually configurable streams in H.264, H.265 and Motion JPEG
Controllable frame rate and bandwidth; VBR/CBR H.264/H.265

Image settings:

Highlight compensation, Manual shutter time,
Compression, Color, Brightness, Sharpness, White balance, Exposure control,
Exposure zones, Backlight compensation, Fine tuning of behavior at low light,
Rotation, Text and image overlay, 32 individual 3D privacy masks,
Image freeze on PTZ, Automatic defog

Edge storage:

SD/SDHC/SDXC slot supporting memory card up to 64 GB (card not included);
Support for recording to dedicated network-attached storage (NAS)



Network

Security:

Password protection, IP address filtering, HTTPS* encryption,
digest authentication, user access log



Supported protocols:

IPv4/v6, HTTP, HTTPS*, QoS Layer 3 DiffServ, FTP, SMTP,
Bonjour, UPnP, SNMPv1/v2c/, v3(MIB-II),
DNS, DynDNS, NTP, RTSP, RTP, TCP, UDP, IGMP, etc...

Application Programming Interface:

Open API for software integration, including supporting
the ONVIF S specification available at <http://onvif.org>,
as well as VAPIX® from Axis Communications,

Intelligent video:

Basic analytics (not to be compared with third-party analytics):
Video motion detection, Highlight compensation, Object
removed, Enter/exit detector, Fence detector, Object counter
Autotracking, Active Gatekeeper, AXIS Camera Application
Platform enabling installation of additional applications

Alarm events:

File upload via FTP, HTTP and email notification via email, HTTP and TCP,
Video recording to edge storage. 4 configurable alarm inputs and outputs

Optional accessories:

Wall mount bracket, Pole mount bracket, Ceiling mount bracket,
ExConnection Rails, ...

* = depending on model (see user manual)

** = only for LL models