

# ExCam<sup>®</sup> XF P1367



## Datasheet.

### Features.

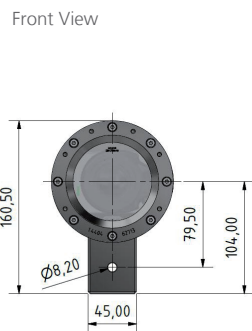
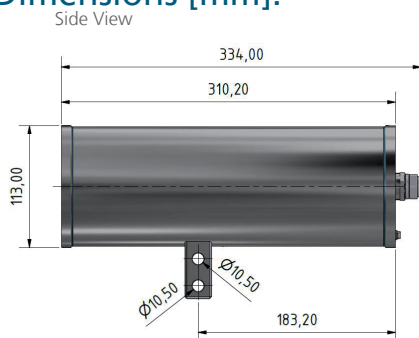
- ✓ Broad Certification Landscape for **Hazardous Areas** (ATEX, IECEx & EAC-Ex and more)
- ✓ Arctic-Temperature-Control (-60°C)
- ✓ Single-Cable-Solution (PoE / 24VDC)
- ✓ Protection Level of **IP68** (IEC 60529)
- ✓ High Resolution: **3072x1728** (5 MP bei 25/30 fps)
- ✓ Powerful Remote-Zoom- and Remote-Focus-Lens (supports i-CS)
- ✓ Lightfinder and WDR Technologies
- ✓ Easy VMS Integration
- ✓ Economical

### Zones.

Group II (Gas & Dust)	ATEX / IECEx / EAC-Ex				
Zone	0	1	2	21	22
For use in	✗	✓	✓	✓	✓

More certificates on request

### Dimensions [mm].



## Data.



### Explosion protection

Model key:  
Declaration of conformity:



Ex- Certificates:



Ex- Marking:  
Explosion protection (gas):  
Explosion protection (dust):



### Mechanical Characteristics

Protection level:  
Weight:



### Range of temperature



### Camera power supply Heater power supply



### Connection cable type

Outside diameter:



### Lens

Type:  
Field of view:  
Minimum illumination:



### Camera

Image sensor:  
Shutter time:



Videocompression:  
Resolution:  
Frame rate:  
Video streaming:

Image settings:

Pan/Tilt/Zoom:

Edge storage:



### Network

Security:  
Supported protocols:



### System integration

Application Programming Interface:

Analytics Included:

Event triggers:

Event actions:

Data streaming:

Built-in installation aids:

### Optional accessories

T08-VA2.3.K3.BOR2-LL.H-005.N-P  
DIN EN/IEC/GOST... 60079-0, DIN EN/IEC/GOST... 60079-1,  
DIN EN/IEC/GOST... 60079-31  
TUEV-18-ATEX-8218X, IECEx-TUR-18.0023X,  
No. TC RU C-DE.AB.61.B.00381/19, IA No: MASC MS/18-3256X

II 2G Ex db IIC T5 Gb  
 II 2D Ex tb IIIC T95°C Db

Stainless Steel (AISI 316L/1.4404)  
IP68 (IEC/EN 60529)  
ca.8 kg

-60°C to +60°C

IEEE 802.3af/802.3at Type 1 Class 3, typical 5.0 W, max 8.9 W  
40W@24VDC@-60°C (see user manual)

WWW.SAMCON.EU SKDP03-T Cat.6 / 4x2xAWG23/1 GN J/W (3G1.5)  
12.4mm ± 0.3mm

IR corrected i-CS lens; 2.8 – 8.5 mm, F1.2  
HfOV: 98° – 36°, VfoW: 54° – 20°  
Color: 0.15 lux at 50 IRE F1.2, B/W: 0.03 lux at 50 IRE F1.2

1/2.9" progressive scan RGB CMOS  
1/55500 s to 2 s

H.264 (MPEG-4 Part 10/AVC) Baseline, Main and High Profiles Motion JPEG  
3072x1728 (5 MP) to 160x90  
Up to 30/25 fps (60/50 Hz) in all resolutions  
Multiple, individually configurable streams in H.264 and Motion JPEG  
Axis Zipstream technology in H.264  
Controllable frame rate and bandwidth, VBR/MBR H.264  
Saturation, contrast, brightness, sharpness, Forensic WDR, white balance,  
exposure mode, exposure zones, compression, mirroring of images,  
electronic image stabilization, barrel distortion correction,  
text and image overlay, dynamic text and image overlay, privacy masks,  
Rotation: 0°, 90°, 180°, 270° including Corridor Format  
Remote-Zoom and Remote-Focus

SD/SDHC/SDXC slot supporting memory card up to 64 GB (card included);  
Support for recording to dedicated network-attached storage (NAS)

Password protection, IP address filtering, HTTPS encryption,  
digest authentication, user access log  
IPv4/v6, HTTP, HTTPS, QoS Layer 3 DiffServ, FTP, SMTP,  
Bonjour, UPnP, SNMPv1/v2c, v3(MIB-II),  
DNS, DynDNS, NTP, RTSP, RTP, TCP, UDP, IGMP, etc...

Open API for software integration, including VAPIX® and AXIS Camera Application Platform;  
specifications at [www.axis.com](http://www.axis.com); AXIS Video Hosting System (AVHS) with One-Click Connection;  
ONVIF® Profile S and ONVIF® Profile G, specification at [onvif.org](http://onvif.org)  
AXIS Video Motion Detection, active tampering alarm, gatekeeper Supported AXIS Perimeter Defender,  
AXIS Cross Line Detection Support for AXIS Camera Application Platform enabling installation of  
third-party applications, see [www.axis.com/acap](http://www.axis.com/acap)  
Analytics, edge storage events, supervised external input, edge storage events, virtual inputs  
through API  
Pre- and post-alarm video buffering  
File upload: FTP, SFTP, HTTP, HTTPS, network share and email  
Notification: email, HTTP, HTTPS, TCP and SNMP trap  
Event data  
Pixel counter

Wall mount bracket, Pole mount bracket, Ceiling mount bracket, Weatherprotectionroof (WPR-VA2.3)  
Terminal box ExtB-3, Non-armoured cable kits, Armoured cable kits  
ExConnection Rails, ...

