

ExCam[®] microTube IP



Datasheet.

Ultra compact ex-certified HDTV cylinder camera with fixed focal length

Features.

- ✓ Broad Certification Landscape for Hazardous Areas (ATEX, IECEx, INMETRO, EAC-Ex, ...)
- ✓ 1/2.8" 2MP Sony STARVIS CMOS-Sensor
- ✓ High Light Sensitivity with 0.05 Lux
- ✓ Resolution: FullHD 1920x1080p
- ✓ Day & Night Functionality
- ✓ Protection Level of IP66/68 (IEC 60529)
- ✓ Single-Cable-Solution (PoE)
- ✓ Dual-Streaming and Videocompression H.264



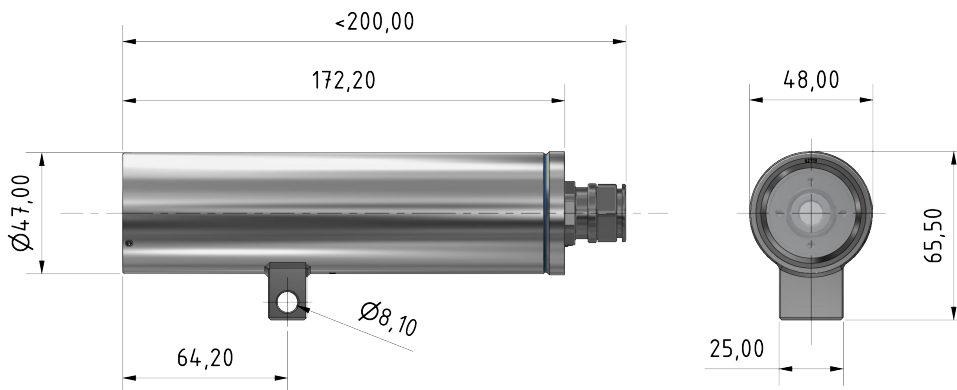
Zones.

Group I (Mining)	ATEX / IECEx / ...	
Zone	Ma	Mb
For use in	✗	✓

Group II (Gas & Dust)	ATEX / IECEx / ...				
Zone	0	1	2	21	22
For use in	✗	✓	✓	✓	✓

More certificates upon request.

Dimensions [mm].



Models.

T08-VA0.4.K1.BOR- N- H- XXX- X- X (-XXX)

058/034 = alternative lenses

P = Plug RJ45 cable connection (standard)
 T = terminal box (Ex-e) connection

N = Non-armoured cable (standard)
 A = Armoured cable

— = Cable length (see UM)
 (005 = Standard)

H = Modification for high temperatures ($T_{amb} \leq +50^{\circ}\text{C}$)
 N = Normal temperatures ($T_{amb} \geq -20^{\circ}\text{C}$)

VA0.4.K1.BOR = Camera in stainless steel housing 1.4404

T08 = ATEX, IECEx, EAC-Ex, ... camera type No. 08 (TÜV 18...)

**Explosion protection**

Declaration of conformity:



Ex- Certificates:



Ex- Marking of the camera:



Explosion protection (gas):

Explosion protection (dust):

Explosion protection (mining):



Ex- Marking of the terminal box:

Explosion protection (gas):

Explosion protection (dust):

**Mechanical characteristics**

Protection level (camera/terminal box):

Weight:

**Range of temperature****Power supply****Connection cable type**

Outside diameter:

**Lens**

Type:

Field of view:

Light Sensitivity:

Minimum Object Distance (MOD):

Lens options

T08-VA.0.4.K1.BOR-N.H-XXX.X-X-058

T08-VA.0.4.K1.BOR-N.H-XXX.X-X-034

DIN EN/IEC/GOST... 60079-0, DIN EN/IEC/GOST... 60079-1,
 DIN EN/IEC/GOST... 60079-7, DIN EN/IEC/GOST... 60079-31
 TUEV-18-ATEX-8218X, IECEx-TUR-18.0023X,
 INMETRO TUEV 23.0363X, No. TC RU C-DE.HA65.B.01652/22,
 TUEV-22-UKEX-7137X, PESO: A/P/HQ/KA/104/5735,
 IA No.: MASC MS/18-3256X

II 2G Ex db IIC T6 Gb

II 2D Ex tb IIIC T80°C Db

I M2 Ex db I Mb*

II 2G Ex eb IIC T5 Gb

II 2D Ex tb IIIC T95°C Db

Camera: stainless steel (AISI 316L/1.4404), terminal box: Polyester resin
 IP66/68 / IP66 (IEC/EN 60529)
 ca. 1.2 kg / 2.6 kg (with terminal box)

-20°C bis +50°C

PoE, IEEE 802.3af Type 1 Class 1, max. 2.5 W

WWW.SAMCON.EU ... Cat.6 / 4x2xAWG23/1 ...
 9 mm - 12 mm

Megapixel lens with fixed iris, fixed focus length, 4mm
 Horizontal: 80°, vertical: 47°
 Color: 0.05 lux
 30 cm

Megapixel lens 4.3 mm F2.0 HAoV@16/9=58°

Megapixel lens 8 mm F2.0 HAoV@16/9=34°

**Camera**

Image sensor:

Shutter setting:

Video compression:



Resolution:

Frame rate:

Video streaming:

Image settings:

1/2.8" CMOS Sony STARVIS, IMX307

ESC (automatic electronic shutter) 1/30000 s to 1/30 s

H.264, Motion JPEG

1920x1080 (16:9), 1280x720 (16:9), 960x540 (16:9), 640x480 (4:3), 320x240 (4:3)

Max. 25fps/30fps (PAL/NTSC)

Dual Stream, H.264 and MJPEG at the same time

Electronic day/night mode, white balance, D-WDR, digital noise reduction, 3D-DNR,

motion detection, mirror function, vertical-flip, rotation

**Network**

Supported protocols:

Max. number of users:

API support

TCP/IP, HTTP, HTTPS, RTP, RTSP, UTP, DHCP, FTP, NTP, ARP, ICMP

4 users at the same time

**System integration**

Application programming interface:

Included analytics:

API support, ONVIF support, specification at onvif.org

Motion Detection

Optional accessories

Wall Mount Bracket (WMB), Pole mount Bracket (PMB), Weather Protection Roof (WPR),
 non-armoured cable kits, armoured cable kits, ExConnection Rails, ...

* = Mining only for variants with armoured cable and plug termination