

RoughCam® IP1365



Kompakte HDTV Kamera

Features.

RoughCam IP1365 – Max. resolution: 1920 x 1080 (2 megapixel) + P-Iris Function

With the RoughCam IP1365, SAMCON offers a compact, stainless steel case with an integrated IP camera. The RoughCam IP1365 is equipped with all features to be found in modern IP cameras such as HDTV or megapixel resolution with reduced noise and motion blur in demanding light conditions, remote configuration, event management, intelligent video and tampering alarm. Furthermore, the RoughCam IP1365 includes the ability to seamlessly transition between WDR and Lightfinder mode. It also allows the easy storage of video data and the „Plug & Play“ design supports the expansion of the video network including the easy on-site replacement of cameras.

Free choice of lens and Power over Ethernet (PoE)

The RoughCam IP1365 can be equipped with different lenses and thus it optimally adapts to your video surveillance system. It supports Power over Ethernet (PoE) which means that the data as well as the power are provided by one single line. We standardly supply the camera with a 5 m cable pig tail (other lengths are possible).

Modular housing concept - different interfaces

The housing of the RoughCam IP1365 can reflect various stainless steel qualities and can also be coated with an optional protective lacquer in order to adapt it best to your demands. The PTFE seal allows a protection level of IP68 (IEC 60529) and is very resistant to most media (a media resistance list is available upon request). The intelligent climate control system allows the use in ambient temperatures ranging from -60°C to +50°C and a fiber optic or wireless adapter supports the transmission of data over long distances. The camera body is extremely compact with a length of 260 mm and a diameter of 113 mm.

Visualization concepts without additional software installation

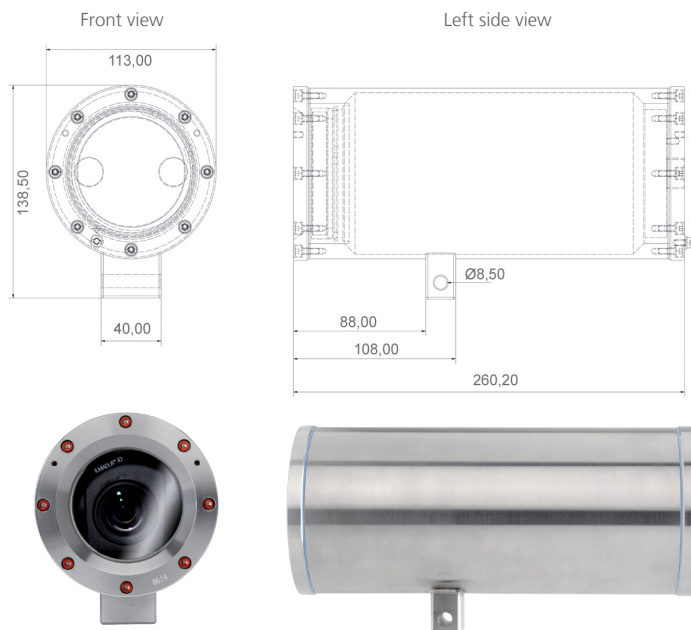
In connection with SAMCONtrol®, the world's first browser-based video management software, which is particularly well suited for integration into control systems, and the Connection Rail-series it, is as easy as „Plug & Play“ to integrate the RoughCam IP1365 in a complex video surveillance system.

Our project planning engineers will be pleased to support you with the **design, documentation, commissioning,** and **maintenance** of your video surveillance system.



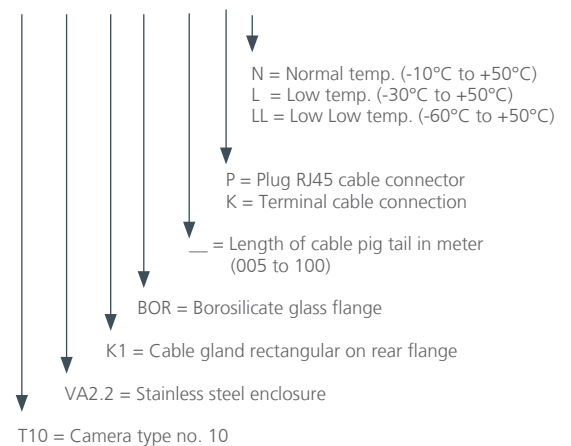
Dimensions.

T10-VA2.2.K1.BOR



Models.

T10- VA2.2.K1.BOR- XXX- X- X



Datasheet.

RoughCam® IP1365



Schillerstrasse 17

D-35102 Lohra-Altenvers

info@samcon.eu

T: +49 6426 9231-0

F: +49 6426 9231-31

IP68

Mechanical characteristics

Housing material: Stainless Steel 1.4404 (AISI 316L)
or optional 1.4301 (AISI 304)
Protection level: IP 68 (IEC / EN 60529)
Weight: T10-VA2.2.K1: 5500g



Range of temperature

T10-VA2.2.K1.BOR-XXX-X-N: -10°C to +50°C
T10-VA2.2.K1.BOR-XXX-X-L: -30°C to +50°C
T10-VA2.2.K1.BOR-XXX-X-LL: -60°C to +50°C



Electrical characteristics

Power supply: PoE, IEEE 802.3af/802.3at type 1 Class 3
Maximum Power without heating (PoE): Max. 6.8 W (typical: 3.6 W)

Connection cable

Outside diameter: 9.1 ± 0.2 mm
Twisted pair structure (data): 4 x 2 x AWG22/1 CAT.6a
Other features:



Lens

Type: Varifocal 2.8 - 8 mm, F 1.3
(other DC-CS-iris lenses are also supported)
Horizontal angle of view: 109° - 40° (other angles depending on lens)
Minimum illumination: Colour: 0.11 lux, B/W: 0.01 lux, F1.3



Camera

Image sensor: Progressive scan RGB CMOS 1/2.8"
Shutter time: 1/66500 s to 2 s
Video compression: H.264 (MPEG-4 Part 10/AVC), Motion JPEG
Resolutions: 1920 x 1080 (approx. 2 megapixel) to 160 x 90
Frame rate: Rated frequency 50 Hz: Up to 50 fps,
Rated frequency 60 Hz: Up to 60 fps
Pan/Tilt/Zoom: Digital PTZ, uploadable PTZ driver
(Pelco D pre-installed)
Video streaming: Multiple, individually configurable streams in H.264 and Motion JPEG
Controllable frame rate and bandwidth VBR/CBR H.264
Image settings: Compression, color, brightness, sharpness, contrast, white balance, exposure control and zones, backlight compensation, WDR-Forensic Capture: Up to 120 dB depending on scene, fine tuning of behavior at low light, rotation: 0°, 90°, 180°, 270° incl. corridor format, text/image overlay, privacy mask, mirroring of image
Edge storage: SD card slot supporting microSD/microSDHC/microSDXC cards (card not included)
Support for recording to network share (network-attached storage or file server)



Network

Security: Password protection, IP address filtering, HTTPS* encryption, digest authentication, IEEE 802.1X* network access control user access log
Supported protocols: IPv4/v6, HTTP, HTTPS*, SSL/TLS*, QoS Layer 3 DiffServ, FTP, CIFS/SMB, SMTP, Bonjour, UPnP™, SNMP v1/v2c/v3(MIB-II), DNS, DynDNS, NTP, RTSP, RTP, SFTP, TCP, UDP, IGMP, RTCP, ICMP, DHCP, ARP, SOCKS, SSH
Application Programming Interface: Open API for software integration, including VAPIX® and AXIS Camera Application Platform; specifications at www.axis.com
AXIS, Video Hosting System (AVHS) with One-Click Connection.
ONVIF Profile S, specification at www.onvif.org
Intelligent video: Video motion detection, active tampering alarm
Alarm triggers / alarm events: Intelligent video, external input, Edge storage events, file upload via FTP, HTTP, network share, and email notification: Email, HTTP and TCP, external output activation, video recording to edge storage, pre- and post-alarm video buffering
PTZ preset, overlay text, send SNMP trap

