

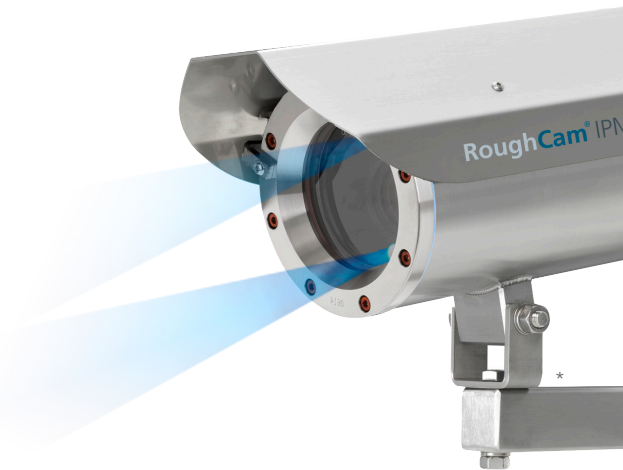
# RoughCam® IPM2036



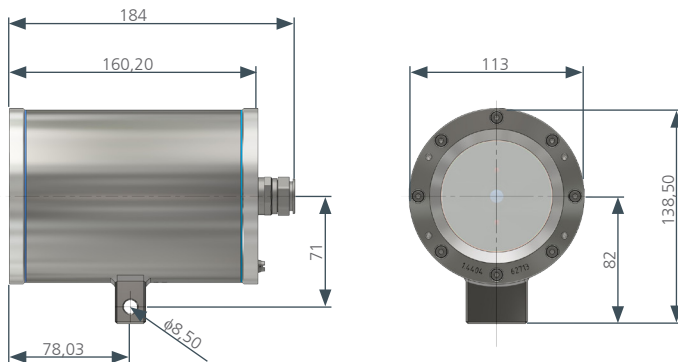
## Datasheet.

### Features.

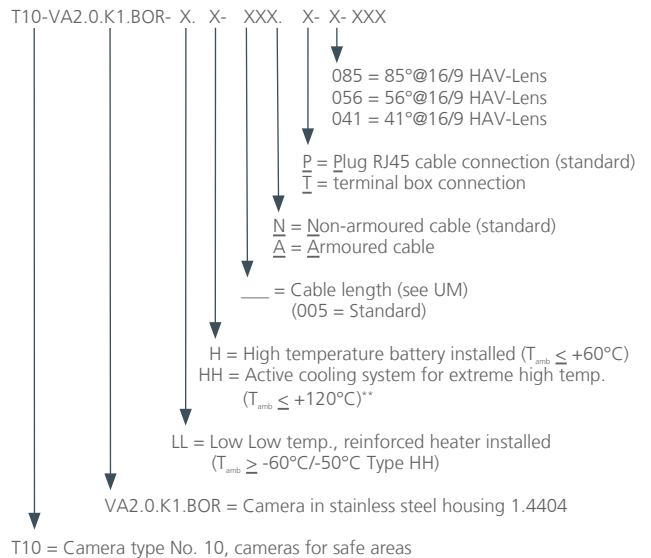
- ✓ Extremely robust Camera for **Demanding Environments**
- ✓ Deep Learning Processing Unit (DLPU) for **Artificial Intelligence (AI)** Applications
- ✓ **Day & Night** Functionality
- ✓ Built-in **IR LEDs and Optimized IR**
- ✓ High Resolution: **4 MP/QHD 1440p**
- ✓ High Light Sensitivity with **1/2.7" CMOS Sensor**
- ✓ **Arctic-Temperatures (-60°C)**
- ✓ Protection Level of **IP66/68 (IEC 60529)**
- ✓ Zipstream and Videocompression **H.265**
- ✓ Optional with cool.Jacket for Use at **+120°C**



### Dimensions [mm].



### Models.



### Lens Options

T10-VA2.0.K1.BOR-X.X-XXX.X-X-085 (wide)  
 T10-VA2.0.K1.BOR-X.X-XXX.X-X-056 (normal)  
 T10-VA2.0.K1.BOR-X.X-XXX.X-X-041 (tele)

Megapixel lens 3.6mm  
 Megapixel lens 6.0mm  
 Megapixel lens 8.0mm

F1.8 IR HAoV@16/9=85° (standard)  
 F1.9 IR HAoV@16/9=56°  
 F1.8 IR HAoV@16/9=41°

## Data.

# RoughCam® IPM2036



IP66

### Mechanical characteristics

Protection level (camera/terminal box):  
Weight:

Camera: stainless steel (AISI 316L/1.4404), terminal box: Polyester resin  
IP66/68 / IP66 (IEC/EN 60529)  
ca.5 kg

IP68

### Range of temperature

Type ...LL.H:  
Type ...LL.HH:

-60°C bis +60°C  
-50°C bis +120°C\*\*



### Power supply

Type ...LL.H:

PoE, IEEE 802.3af/802.3at Type 1 Class 3, typical 5 W, max. 12.95 W



### Connection cable type

Outside diameter:

WWW.SAMCON.EU ... Cat.6 / 4x2xAWG22/1 ...; (.../AWG24/7 for -LL.HH-)  
9 mm - 17 mm (6.6 mm for type -LL.HH-)



### Lens

Type:

IR corrected fixed Iris, fixed focus lens;  
with automatically removable IR-cut filter  
0.5 m  
Color: 0.18 lux at 50 IRE F2.1, B/W: 0.04 lux at 50 IRE F2.1  
0 lux with IR illumination on (max. range of reach approx. 2m)\*\*\*



Minimum focus distance:

Minimum illumination:



### Camera

Image sensor:

Shutter speed:

Video compression:

1/2.7" progressive scan RGB CMOS  
1/38500 s to 1/5 s  
H.264 (MPEG-4 Part 10/AVC) Main and High Profiles, Motion JPEG,  
H.265 (MPEG-H Part 2/HEVC) Main Profile  
2304x1728 to 320x240 (4:3) / 2668x1512 (16:9)  
Up to 25/30 fps (60/50 Hz)

Resolution:

Frame rate:

Video streaming:

Multiple, individually configurable streams in H.264, H.265 and Motion JPEG  
Axis Zipstream technology in H.264 and H.265

Image settings:

Controllable frame rate and bandwidth, VBR/ABR/MBR H.264/H.265  
Compression, contrast, brightness, sharpness,  
WDR: up to 115 dB depending on scene, white balance, color,  
exposure control, motion-adaptive exposure, text and image-overlay,  
privacy masks, mirroring of images, rotation: 0°, 90°, 180°, 270° including Corridor Format  
Digital PTZ

Pan/Tilt/Zoom:

Edge storage:

Support for microSD/microSDHC/microSDXC card (card not included in scope of delivery);  
Support for recording to network-attached storage (NAS)



### Network

Security:

Supported protocols:

Password protection, IP address filtering, HTTPS encryption,  
Digest authentication, user access log, ...  
IPv4/v6, HTTP, HTTPS, QoS Layer 3 DiffServ, FTP, SMTP,  
Bonjour, UPnP, SNMPv1/v2c, v3(MIB-II), DNS, DynDNS, NTP, RTSP, RTP, TCP, UDP, IGMP, etc...



### System integration

Application programming interface:

Included analytics:

Event trigger:

Event actions:

Data streaming:

Built-in installation aids:

Open API for software integration, including VAPIX® and AXIS Camera Application Plattform;  
Specifications at [www.axis.com](http://www.axis.com); One-click cloud connection;  
ONVIF® Profile S, ONVIF® Profile T und ONVIF® Profile G, specification at [onvif.org](http://onvif.org)  
Deep Learning Processor Unit (DLPU), AXIS Object Analytics, AXIS Video Motion Detection,  
active tampering alarm, support for AXIS Camera Application Plattform enabling installation of  
third-party applications, see [www.axis.com/acap](http://www.axis.com/acap)  
Analytics; I/O: manual trigger; edge storage of events, supervised external inputs, virtual inputs via API  
Pre- and post-alarm video or image buffering for recording or upload  
Upload of images or video clips: FTP, SFTP, HTTP, HTTPS, network share and E-Mail  
Notification: E-Mail, HTTP, HTTPS, TCP and SNMP trap  
Event data  
Pixel counter, level grid

### Optional accessories

Wall Mount Bracket (WMB), Pole mount Bracket (PMB), Weather Protection Roof (WPR),  
non-armoured cable kits, armoured cable kits, Connection Rails, ...



\* = Illustrations show models with accessories that are subjected to an extra charge.

\*\* = This model requires the SAMCON cool.Jacket. The cooling water according to the requirements must be available or be produced.

\*\*\* = Range of reach of IR-illumination depending on scene (low light). See test report on IR-illumination or Usermanual.