

# RoughCam® IPM3016



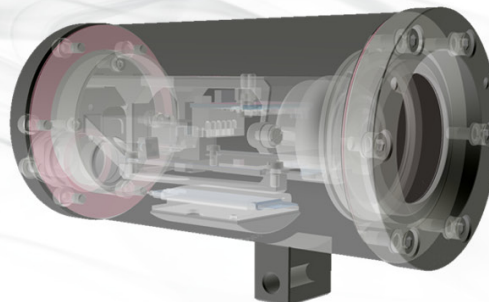
## THIS.

2005:  
35kg, -20°C, IP54...



## IS.

2010:  
15kg, -40°C, IP66



## EVOLUTION.

2018:  
3kg, -60°C, IP68...

## Feature-Highlights.

- ✓ Ultra Compact and Innovative Design, only weighing max. 3kg
- ✓ Dynamic and Modular PTC-Heater-Concept (-60°C)
- ✓ One-Cable-Solution: Power over Ethernet (PoE)
- ✓ ONVIF and VAPIX Compatible Multi-Streaming-Solution with ePTZ
- ✓ 3 MP Video in Full Frame Rate

## Models.

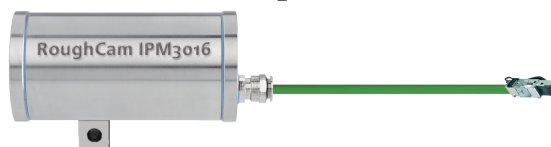
T10-VA.1.2.K1.BOR-X.N-XXX.X-X-0XX

↓  
 090 = 90°@16/9 HAV-Lens (standard)  
 P = Plug RJ45 cable connector (standard)\*1  
 T = Terminal Box connection  
 N = Non armoured cable  
 A = Armoured cable  
 — = Cable length (see UM) (005 = standard)  
 N = No cooling System installed (T<sub>amb</sub> < +55°C)  
 N = No Heater installed (T<sub>amb</sub> > -20°C) (standard)  
 LL = PTC Heater installed (T<sub>amb</sub> > -60°C)

↓  
 VA1.2.K1.BOR = Stainless Steel Enclosure 1.4404  
 T10 = Camera type No. 10 for safe areas

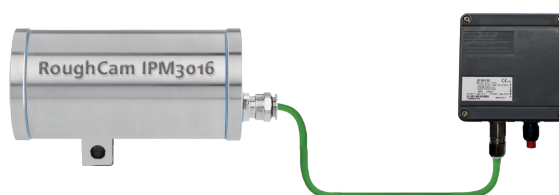
## Plug Termination.

T10-VA.1.2.K1.BOR-X.X-XXX.X-P-XXX



## Terminal Box Termination.

T10-VA.1.2.K1.BOR-X.X-XXX.X-T-XXX



## Data.



### Mechanical characteristics

Housing material: Stainless Steel 1.4404  
Protection level: IP66/68 (IEC / EN 60529)  
Weight: T10-VA1.2.K1.BOR...: 3kg (without terminal box)



### Range of temperature

T10-VA.1.2.K1.BOR-N-N-XXX.X-X-XXX: -20°C to +55°C  
T10-VA.1.2.K1.BOR-LL-N-XXX.X-X-XXX: -60°C to +55°C  
Range of temperature during commissioning: 0°C to +55°C



### Electrical characteristics

Power supply: PoE+ IEEE 802.3af/802.3at Type 1 Class 1, Typical 2.9 W, max. 3.8 W (LL Models only MODE A PSE-Devices!)  
Maximum power: Max. 3.9W@PoE, ca. 20W@-60°C@24VDC



Schillerstrasse 17  
D-35102 Lohra-Altenvers

www.samcon.eu  
info@samcon.eu  
T: +49 6426 9231-0  
F: +49 6426 9231-31

### Connection cable

Outside diameter (non-armoured/armoured): 8.9 ± 0.3 mm / 12 mm ± 0.4  
Twisted pair structure (data): 4x2xAWG23/1 CAT.6A (non-armoured cable); 4x2xAWG23/1 CAT.6 (armoured cable)



### Camera

Image sensor: 1/3" progressive scan CMOS  
Minimum illumination: ca. 0.4 lux (depending on lens)  
Shutter time: 1/32000 s to 1/5 s  
Pan/Tilt/Zoom: Digital PTZ, preset positions, guard tour



### Video

Video compression: H.264 (MPEG-4 Part 10/AVC), H.265 (MPEG-H Part 2/HEVC) Main Profile, Motion JPEG  
Resolutions: 2016x1512 to 320x240 (4:3) or 2304x1296 to 640x360 (16:9)  
Frame rate: 25/30 fps with power line frequency 50/60 Hz  
Video streaming: Multiple, individually configurable streams in H.264, H.265 and Motion JPEG Axis Zipstream technology in H.264 and H.265. Controllable frame rate and bandwidth VBR/MBR H.264/H.265  
Image settings: Compression, color, brightness, sharpness, contrast, local contrast, white balance, exposure control, text and image overlay, mirroring of images, privacy masks WDR: up to 100 dB depending on scene  
Rotation: 0°, 90°, 180°, 270° including Corridor Format



### Network

Security: Password protection, IP address filtering, HTTPS encryption, digest authentication, user access log...  
Supported protocols: IPv4/v6, HTTP, HTTPS\*, QoS Layer 3 DiffServ, FTP,....



### System integration

Application Programming Interface: Open API for software integration, including supporting the ONVIF specification available at www.onvif.org, as well as VAPIX® from Axis Communications, spec. available at www.axis.com



### Lens

Megapixel lens 2.8mm, F2.6, Horizontal AoV@16/9: 90°, Horizontal AoV@4/3: 78°

## Dimension.

T10-VA1.2.K1.BOR

Front View:

Side View from Left:

