

RoughCam® IPP1275



Datasheet.

Ultra compact and robust varifocal-camera

Features.

- ✓ Extremely Robust
- ✓ Ultra-Compact and Lightweight Sensor Unit in Combination with a Main Unit
- ✓ Single-Cable-Solution (PoE)
- ✓ Protection Level of IP68/IP66 (IEC 60529)
- ✓ High Resolution: 1920x1080 (HDTV1080p)
- ✓ Varifocal-Lens

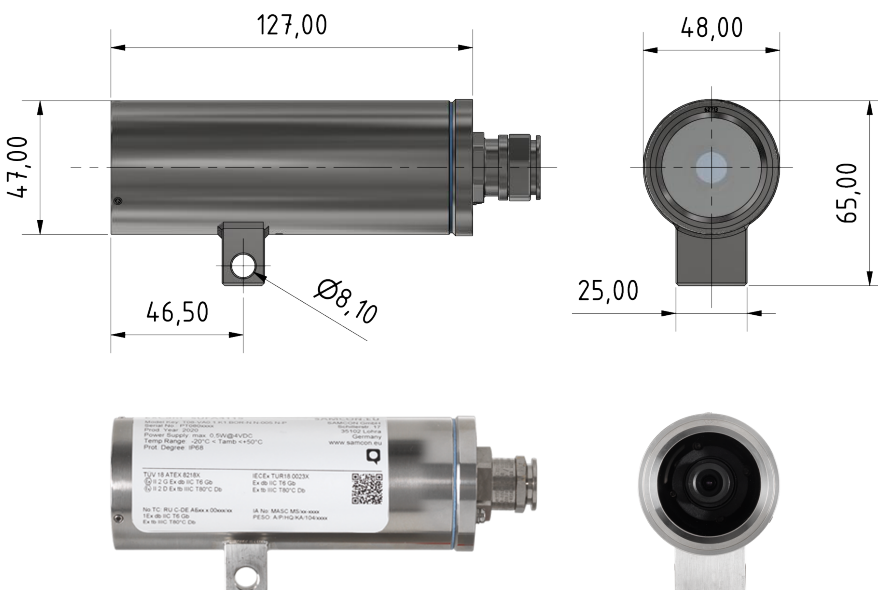


Models.

T10-VA.0.1.K1.BOR- N.N- XXX.N- P

↓ P = Plug RJ12 cable connector
 ↓ N = Non armoured cable
 — = Cable length (005 = standard, 025 = max.)
 ↓ N = Max. temp. ($T_{amb} \leq +50^{\circ}\text{C}$)
 ↓ N = Min. temp. ($T_{amb} \geq -20^{\circ}\text{C}$)
 ↓ VA.0.1.K1.BOR = Stainless steel housing 1.4404 with borosilicat sight glass
 T10 = Camera type No. 10, cameras for safe areas

Dimensions.



RoughCam® IPP1275



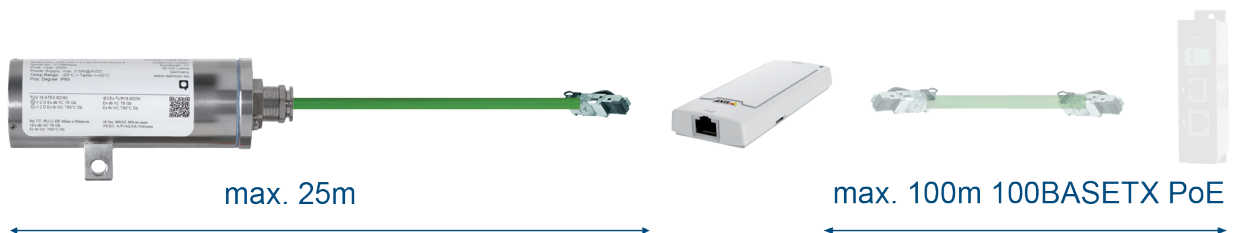
Data.

<div style="border: 1px solid black; border-radius: 10px; padding: 2px; width: fit-content; margin-bottom: 10px;">IP68</div> <div style="text-align: center;"></div> <div style="text-align: center;">+50°C</div> <div style="text-align: center;"></div> <div style="text-align: center;">-20°C</div> <div style="text-align: center;"></div> <div style="text-align: center;"></div> <div style="text-align: center;"></div> <div style="text-align: center;"></div> <div style="text-align: center;"></div>	<p>Mechanical characteristics: Sensor Unit: Stainless Steel (AISI 316L/1.4404) Main Unit: Polycarbonat Protection level (SU/MU): IP68/IP66 (IEC/EN 60529) Weight: Sensor Unit: 0.7 kg Main Unit: 0.72 kg</p> <p>Range of temperature: -20°C to +50°C</p> <p>Power supply: IEEE 802.3af/802.3at Type 1 Class 2 typical 2.5 W, max 4.0 W</p> <p>Connection cable type: WWW.SAMCON.EU ... Cat.6 / 4x2xAWG24/7 ... Outside diameter: 8.7 mm</p> <p>Lens Type: Fixed iris, varifocal, 2.8 mm bis 6.0 mm, F2.0 Field of view: HFoV: 82° – 53° Minimum illumination: 0.22 lux</p> <p>Camera Image sensor: 1/2,9" (effective) progressive scan RGB CMOS Shutter time: 1/32500 to 2 s Resolution: 1920x1080 HDTV 1080p Videocompression: H.264 (MPEG-4 Part 10/AVC) Baseline, Main and High Profiles Motion JPEG Frame rate: 25/30 fps (50/60 Hz) Video streaming: Multiple, individually configurable streams in H.264 and Motion JPEG Axis Zipstream technology in H.264 Controllable frame rate and bandwidth, VBR/MBR H.264 Image settings: Compression, color, brightness, sharpness, contrast, white balance, Forensic WDR, exposure value, exposure control, exposure zones, local contrasts, mirroring of images, text and image overlay, privacy masks Edge storage: microSD/SDHC/SDXC slot (card not included); Support for recording to dedicated network-attached storage (NAS)</p> <p>Network Security: 100BaseTX (from Main Unit) Password protection, IP address filtering, HTTPS encryption, digest authentication, user access log Supported protocols: IPv4/v6, HTTP, HTTPS, QoS Layer 3 DiffServ, FTP, SMTP, Bonjour, UPnP, SNMPv1/v2c, v3(MIB-II), etc...</p> <p>System integration Application Programming Interface: Open API for software integration, including VAPIX® and AXIS Camera Application Platform; specifications at www.axis.com; AXIS Video Hosting System (AVHS) with One-Click Connection; ONVIF® Profile S, ONVIF® Profile G and ONVIF® Profile T, specification at onvif.org Analytics included: AXIS Video Motion Detection, active tampering alarm, AXIS Cross Line Detection Support for AXIS Camera Application Platform enabling installation of third-party applications, see www.axis.com/acap Event triggers: Analytics, edge storage events Event actions: Pre- and post-alarm video buffering File upload: FTP, HTTP, HTTPS, network share Notification: email, HTTP, HTTPS, TCP and SNMP trap, WDR mode Data streaming: Event data</p> <p>Optional accessories: Wall mount bracket (WMB), Pole mount bracket (PMB)</p>	<p>Schillerstrasse 17 D-35102 Lohra-Altenvers</p> <p>info@samcon.eu T: +49 6426 9231-0 F: +49 6426 9231-31</p>
---	---	---

RoughCam IPP1275

AXIS P12 MAIN UNIT

Ethernet



* = Illustration shows model with accessories that are subjected to an extra charge