

RoughCam® IPP1377



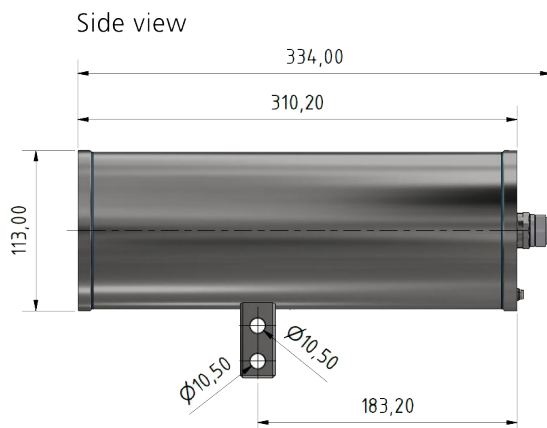
Datasheet.

Features.

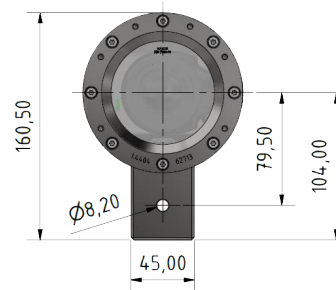
- ✓ Extremely robust Camera for Demanding Environments
- ✓ Arctic-Temperature-Control (-60°C)
- ✓ Single-Cable-Solution (PoE / 24VDC)
- ✓ Protection Level of IP66/68 (IEC 60529)
- ✓ High Resolution: 2592x1944 (5 MP bei 25/30 fps)
- ✓ Powerful Remote-Zoom-Objektiv (i-CS)
- ✓ Lightfinder and WDR Technologies
- ✓ Easy VMS Integration
- ✓ Vandal-proof stainless steel enclosure



Dimensions [mm].



Front view



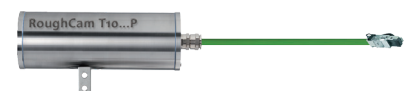
Models.

T10- VA.2.3.K3.BOR2- X.X- XXX.X- X

↓
 P = Plug RJ45 cable connector (standard)
 T = Terminal box connection
 N = Non armoured cable (standard)
 A = Armoured cable
 — = Cable length (see UM) (005 = standard)
 H = High temp. battery installed ($T_{amb} \leq +60^{\circ}\text{C}$)
 N = Normal temp., no heater installed ($T_{amb} \geq -10^{\circ}\text{C}$)
 LL = Low Low temp., PTC heater installed ($T_{amb} \geq -60^{\circ}\text{C}$)
 VA2.3.K3.BOR2 = Camera in stainless steel enclosure 1.4404
 T10 = Camera type No. 10, cameras for safe areas

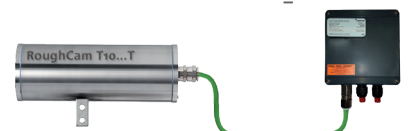
Plug Termination.

T10- VA2.3.K3.BOR2-X.X-XXX.X-P



Terminal Box Termination.

T10- VA2.3.K3.BOR2-X.X-XXX.X-T






Schillerstrasse 17
D-35102 Lohra-Altenvers

info@samcon.eu
T: +49 6426 9231-0
F: +49 6426 9231-31



<div style="border: 1px solid #ccc; border-radius: 5px; padding: 2px; margin-bottom: 5px; text-align: center;">IP66</div> <div style="border: 1px solid #ccc; border-radius: 5px; padding: 2px; margin-bottom: 5px; text-align: center;">IP68</div> <div style="text-align: center;"> +60°C</div> <div style="text-align: center;"> -60°C</div> <div style="text-align: center;"></div> <div style="text-align: center;"></div> <div style="text-align: center;"></div> <div style="text-align: center;"></div> <div style="text-align: center;"></div> <div style="text-align: center;"></div>	<p>Mechanical Characteristics Protection level (Cam/TB): Weight:</p> <p>Range of temperature Type ...N.H: Type ...LL.H: Storage conditions:</p> <p>Camera power supply Heater power supply</p> <p>Connection cable type Outside diameter:</p> <p>Lens Type: Field of view: Minimum illumination:</p> <p>Camera Image sensor: Shutter time: Videocompression: Resolution: Frame rate: Video streaming: Image settings: Pan/Tilt/Zoom: Edge storage:</p> <p>Network Security: Supported protocols:</p> <p>System integration Application Programming Interface: Analytics Included: Event triggers: Event actions: Data streaming: Built-in installation aids:</p> <p>Optional accessories</p>	<p>Camera: Stainless Steel (AISI 316L/1.4404), TB: Polyester Resin IP66/68 / IP66 (IEC/EN 60529) 7.8 kg</p> <p>-60°C to +60°C -10°C to +60°C -60°C to +60°C -40°C to +65°C, non-condensing; (put into operation at T > 0°C)</p> <p>IEEE 802.3af/802.3at Type 1 Class 3, typical 5.4 W, max 10.7 W 40W@24VDC@-60°C (see user manual)</p> <p>WWW.SAMCON.EU SKD01-T Cat.6 / 4x2xAWG22/1 GN J/W or WWW.SAMCON.EU (A)SKDP03-T Cat.6 / 4x2xAWG23/1 GN J/W (3G1.5) 9.1mm ± 0.2mm/ 15.5mm ± 0.6mm**</p> <p>IR corrected, i-CS-mount lens; 2.8 - 8.5 mm,F1.2 Varifocal 2.8 – 8 mm, F1.2 HfOV: 103° – 38°, VfoW: 81° – 28° Color: 0.13 lux at 50 IRE F1.2, B/W: 0.03 lux at 50 IRE F1.2</p> <p>1/2.7" progressive scan RGB CMOS With WDR: 1/33500 s to 1/5 s; without WDR: 1/5000 s to 1/5 s H.264 (MPEG-4 Part 10/AVC) Baseline, Main and High Profiles H.265 (MPEG-HPart2/HEVC) Motion JPEG 2592x1944 (5MP) to 160x90 (16:9), 2688x1512 (4MP) to 160x90 (16:9), 1280x720 (HDTV 720p) to 160x90 (16:9), 2592x1944 to 160x120 (4:3) Up to 30/25 fps (60/50 Hz) in all resolutions Multiple, individually configurable streams in H.264, H.265 and Motion JPEG Axis Zipstream technology in H.264 and H.265 Controllable frame rate and bandwidth, VBR/ABR/MBR H.264/H.265, Video streaming indicator Saturation, contrast, brightness, sharpness, Forensic WDR, white balance, exposure mode, exposure zones, compression, mirroring of images, electronic image stabilization, barrel distortion correction, text and image overlay, dynamic text and image overlay, privacy masks, Rotation: 0°, 90°, 180°, 270° including Corridor Format Remote-Zoom, Remote-Focus and digital PTZ SD/SDHC/SDXC slot supporting memory card up to 64 GB (card not included); Support for recording to dedicated network-attached storage (NAS)</p> <p>Password protection, IP address filtering, HTTPS encryption, digest authentication, user access log IPv4/v6, HTTP, HTTPS, QoS Layer 3 DiffServ, FTP, SMTP, Bonjour, UPnP, SNMPv1/v2c/, v3(MIB-II), DNS, DynDNS, NTP, RTSP, RTP, TCP, UDP, IGMP, etc...</p> <p>Open API for software integration, including VAPIX® and AXIS Camera Application Platform; specifications at www.axis.com; AXIS Video Hosting System (AVHS) with One-Click Connection; ONVIF® Profile S and ONVIF® Profile G, specification at onvif.org AXIS Video Motion Detection, active tampering alarm, gatekeeper Supported AXIS Perimeter Defender, AXIS Cross Line Detection Support for AXIS Camera Application Platform enabling installation of third-party applications, see www.axis.com/acap Analytics, edge storage events, supervised external input, edge storage events, virtual inputs through API Pre- and post-alarm video buffering File upload: FTP, SFTP, HTTP, HTTPS, network share and email Notification: email, HTTP, HTTPS, TCP and SNMP trap Event data Pixel counter</p> <p>Wall mount bracket, Pole mount bracket, Ceiling mount bracket, Weatherprotectionroof (WPR-VA2.3) Terminal box ExTB-3, Non-armoured cable kits, Armoured cable kits, ExConnection Rails, ...</p>
---	--	---

* = illustrations show models with accessories that are subjected to an extra charge
** = depending on model (see User Manual)