

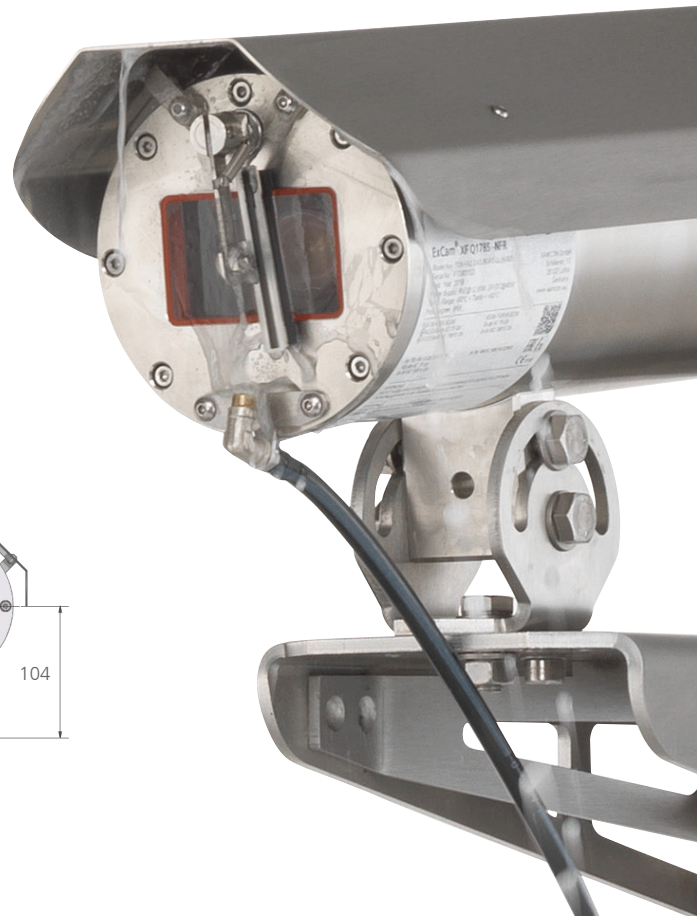
RoughCam® IPQ1785-W



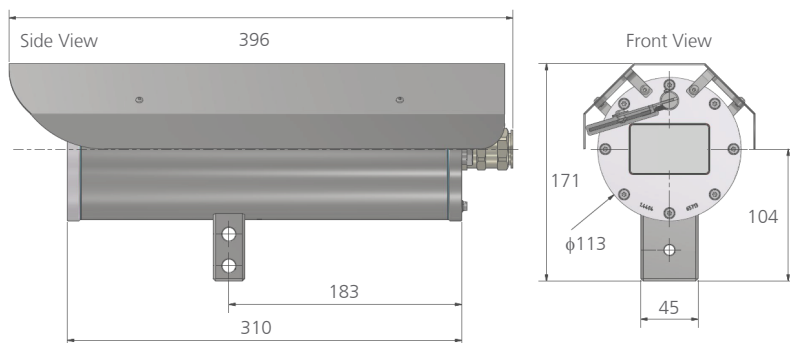
Datasheet.

Features.

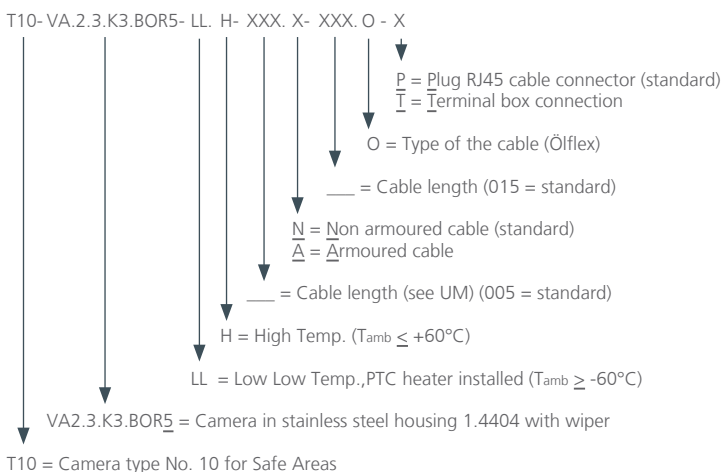
- ✓ Powerful **Wiper Solution** with Torque Control
- ✓ Prepared for common Use with **cam.Cleaner** for IP-Controllable Water Supply
- ✓ Powerful Motor-Zoom-Autofocus-Lens (**32x Optical**)
- ✓ High Resolution: **1920x1080** (HDTV 1080p)
- ✓ **Arctic-Temperature-Control** (-60°C)
- ✓ **Single-Cable-Solution** (PoE / 24VDC)
- ✓ Protection Level of **IP68** (IEC 60529)
- ✓ **Lightfinder** and **WDR** Technologies
- ✓ Easy **VMS** Integration



Dimensions [mm].



Models.



Plug Termination.

T10-VA2.3.K3.BOR5-LL.H-XXX.X-XXX.O-P



Terminal Box Termination.

T10-VA2.3.K3.BOR5-LL.H-XXX.X-XXX.O-T



Data.

RoughCam® IPQ1785-W



IP68

Housing material (CAM/TB):
Protection level (CAM/TB):
Weight:

Stainless Steel (AISI 316L/1.4404), Polyester resin
IP68, IP66 (IEC/EN 60529)
ca.9.5 kg



Range of temperature:

-60°C to +60°C



Camera power supply:
Heater power supply:
Heater & valve power supply:

IEEE 802.3af/802.3at Type 1 Class 3 Typical 7.7 W, max 12.95 W
40W@24VDC@-60°C* (see user manual)
50W@24VDC



Connection cable type:
Outside diameter:

WWW.SAMCON.EU ... Cat.6 / 4x2xAWG23/1 ...*
8.9 mm ± 0.3 mm*



Lens

Type:
Field of view:
Minimum illumination:

4.3 – 137 mm, F1.4 – 4.0, Autofocus
HfOV: 60° – 2.3°, VfoW: 39° – 1.3°
Color: 0.16 lux at 50 IRE F1.4, B/W: 0.03 lux at 50 IRE F1.4



Camera

Image sensor:
Shutter time:

1/2.8" progressive scan RGB CMOS
1/66500 s to 1 s



Videocompression:
Resolution:
Frame rate:

Video streaming:

Image settings:

Pan/Tilt/Zoom:

Edge storage:

H.264 (MPEG-4 Part 10/AVC) Baseline, Main and High Profiles Motion JPEG
1920x1080 HDTV 1080p
With WDR: Up to 30/25 fps (60/50 Hz) in all resolutions
Without WDR: Up to 60/50 fps (60/50 Hz) in all resolutions
Multiple, individually configurable streams in H.264 and Motion JPEG
Axis Zipstream technology in H.264
Controllable frame rate and bandwidth, VBR/MBR H.264
Saturation, contrast, brightness, sharpness, Forensic WDR, white balance,
exposure mode, exposure zones, compression, mirroring of images,
electronic image stabilization, barrel distortion correction,
text and image overlay, dynamic text and image overlay, privacy masks,
Rotation: 0°, 90°, 180°, 270° including Corridor Format
32x optical zoom, preset positions

SD/SDHC/SDXC slot supporting memory card up to 64 GB (card not included);
Support for recording to dedicated network-attached storage (NAS)



Network

Security:

Supported protocols:

Password protection, IP address filtering, HTTPS encryption,
digest authentication, user access log
IPv4/v6, HTTP, HTTPS, QoS Layer 3 DiffServ, FTP, SMTP,
Bonjour, UPnP, SNMPv1/v2c, v3(MIB-II),
DNS, DynDNS, NTP, RTSP, RTP, TCP, UDP, IGMP, etc...



System integration

Application Programming Interface:

Analytics Included:

Event triggers:

Event actions:

Data streaming:

Built-in installation aids:

Open API for software integration, including VAPIX® and AXIS Camera Application Platform;
specifications at www.axis.com; AXIS Video Hosting System (AVHS) with One-Click Connection;
ONVIF® Profile S, ONVIF® Profile G and ONVIF® Profile T, specification at onvif.org
AXIS Video Motion Detection, active tampering alarm, gatekeeper Supported AXIS Perimeter Defender,
AXIS Cross Line Detection Support for AXIS Camera Application Platform enabling installation of
third-party applications, see www.axis.com/acap
Analytics, edge storage events, supervised external input, edge storage events, virtual inputs
through API
Pre- and post-alarm video buffering
File upload: FTP, SFTP, HTTP, HTTPS, network share and email
Notification: email, HTTP, HTTPS, TCP and SNMP trap
Event data
Pixel counter

Optional accessories:

Wall mount bracket, Pole mount bracket, Ceiling mount bracket,
Non-armoured cable kits, armoured cable kits
Connection Rails, ...

* = depending on model

** = illustrations show models with accessories that are subjected to an extra charge
cam.Cleaner is not included. Please also note the datasheet cam.Cleaner

