

RoughCam® IPQ3628



Datasheet.

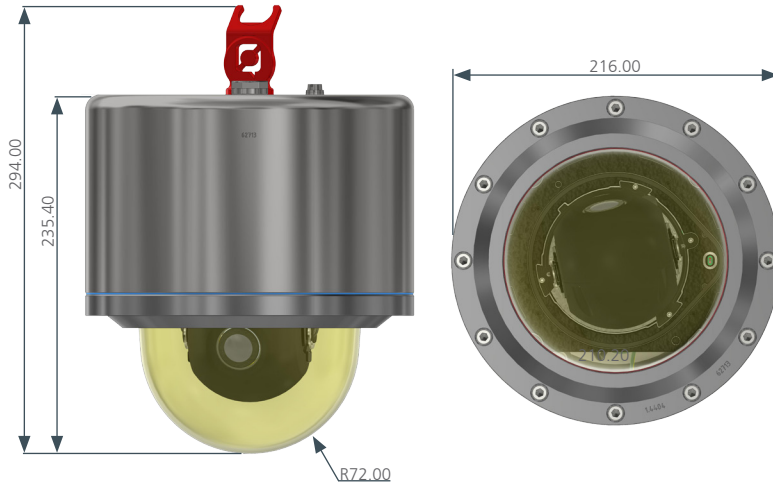
Features.

- ✓ Extremely robust Camera for **Demanding Environments**
- ✓ **Remote Adjustment of the Camera Angle**, (Remote-PTRZ-Functionality)
- ✓ **4K Network Video**, outstanding Image Quality
- ✓ High Resolution: **3840x2160 (8 MP@30fps)**
- ✓ **Dome with Optimized UV and Scratch Resistance and Superhydrophobic Surface**
- ✓ Equipped with **Lightfinder and Forensic WDR**
- ✓ **Advanced Analytics thanks to DLPU (Deep Learning)**
- ✓ **Easy Plug & Play Cable Connection via flipConnect**

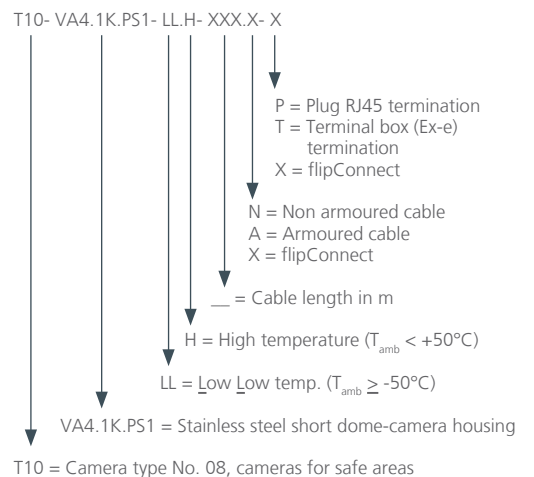


Dimensions [mm].

T10 - VA4.1K.PS1 - LL.H - 000.X - X
Electrical connection via flipConnect



Models.



Data.

	Mechanical characteristics: Housing material: Protection level (camera/terminal box): Weight:	Camera: Stainless Steel (AISI 316L/1.4404), terminal box: polyester resin IP68 / IP66 (IEC/EN 60529) / IP66 Approx. 15 kg	Schillerstrasse 17 D-35102 Lohra-Altenvers
	Range of temperature:	-50°C bis +50°C	
	Camera power supply:	IEEE 802.3at Type 2 Class 4 , typical: 8W, max. 25W	info@samcon.eu T: +49 6426 9231-0 F: +49 6426 9231-31
	Electrical connection:	RJ45 socket via flipConnect or cable with plug or terminal box termination	
	Cable type: Outer diameter:	WWW.SAMCON.EU ... / Cat6 / 4x2xAWG23 8.9 mm to 12.4 mm	
	Lens Type: Angle of view: Minimum illumination: Minimum focus distance:	Varifocal, 6.2–12.9 mm, F1.6–2.9, automatic IR-cut filter, P-Iris control Horizontal field of view: 103° - 48°; vertical field of view: 56° - 27° Color: 0.07 lux at 50 IRE, F1.6, B/W: 0.01 lux at 50 IRE, F1.6 1.5 m	
	Camera Image sensor: Shutter time: Camera angle adjustment: Video compression:	1/1.2" progressive scan RGB CMOS, Pixel size 2.9 µm 1/66500 s to 2s with 60 Hz Pan: ±190°, Tilt: -8° to +75°, Roll: ±97° H.264 (MPEG-4 Part 10/AVC) Baseline, Main and High Profiles, H.265 Main Profile (MPEG-H Part 2/HEVC), Motion JPEG	
	Resolutions:	3840x2160 to 160x90 (16:9) 1280 x 800 to 160 x 100 (16:10) 2880 x 2160 to 160 x 120 (4:3)	
	Frame rate:	With Forensic WDR: Up to 25/30 fps. (50/60 Hz) in all resolutions Without Forensic WDR: Up to 50/60 fps. (50/60 Hz) in all resolutions	
	Video streaming:	Up to 20 unique and configurable video streams, Axis Zipstream technology in H.264 and H.265; controllable frame rate and bandwidth; VBR/ABR/MBR H.264/H.265; low latency mode; video streaming indicator	
	Multi-View-Streaming: Image settings:	Up to 8 individually cropped out view areas Saturation, contrast, brightness, sharpness, white balance, day/night threshold, local contrast, tone mapping, exposure mode, exposure zones, defogging, barrel distortion correction, electronic image stabilization, compression, rotation: 0°, 90°, 180°, 270° including corridor format, mirroring, dynamic text and image overlay, polygon privacy mask, target aperture, Forensic WDR: Up to 120 dB depending on scene, Noise reduction	
	Edge storage:	microSD/SDHC/SDXC slot supporting memory card (card not included); Support for recording to dedicated network-attached storage (NAS)	
	Network Security:	Password protection, IP address filtering, HTTPS* encryption, digest authentication, user access log, ... Hardware: Secure boot, Axis Edge Vault (see axis.com/solutions/edge-vault)	
	Supported protocols:	IPv4, IPv6 USGv6, ICMPv4/ICMPv6, HTTP, HTTPSb, HTTP/2, TLSb, QoS Layer 3 DiffServ, FTP, SFTP, CIFS/SMB, SMTP, mDNS (Bonjour), UPnP®, SNMP v1/v2c/v3 (MIB-II), DNS/DNSv6, DDNS, NTP, NTS, RTSP, RTP, SRTP/ RTSPS, TCP, UDP, IGMPv1/v2/v3, RTCP, ICMP, DHCPv4/v6, ARP, SSH, LLDP, CDP, MQTT v3.1.1, Secure syslog (RFC 3164/5424, UDP/TCP/TLS), Link-Local address (ZeroConf), IEEE 802.1X (EAP-TLS), IEEE 802.1A	
	Application Programming Interface:	Open API for software integration, including supporting the ONVIF G/M/S/T specification available at http://onvif.org, as well as VAPIX® from Axis Communications, axis.com	
	Intelligent video:	Deep Learning Processing Unit (DLPU), Axis Object Analytics (Object classes: humans, vehicles (types: cars, buses, trucks, bikes, other); Scenarios: line crossing, object in area, crossline counting, occupancy in area, time in area; Up to 10 scenarios; Other features: triggered objects visualized with trajectories, color-coded bounding boxes and tables, Polygon include/exclude areas, Perspective configuration, ONVIF Motion Alarm event), AXIS Scene Metadata, AXIS Video Motion Detection, active tampering alarm, audio detection, AXIS Live Privacy Shield; Supported: AXIS Perimeter Defender, AXIS License Plate Verifier, Support for AXIS Camera Application Platform enabling installation of third-party applications, see axis.com/acap	
	Alarm events:	File upload via FTP, HTTP and email, notification via email, HTTP and TCP, Video recording to edge storage.	
	Optional accessories:	Wall mount bracket (WMB), Pole mount bracket (PMB), Ceiling mount bracket (CMB), Mounting adapter for rear mounting, Connection Rails, Cables and Glands...	

* = illustrations show models with accessories that are subjected to an extra charge