

RoughCam® microTube IP



Datasheet.

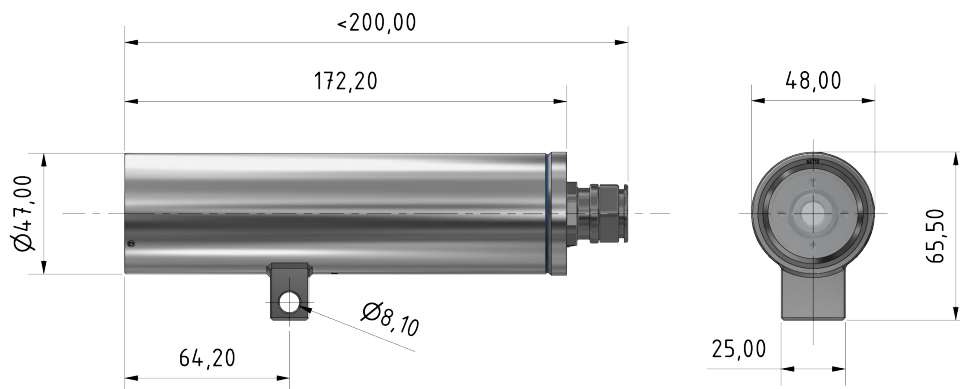
Ultra compact HDTV cylinder camera with fixed focal length

Features.

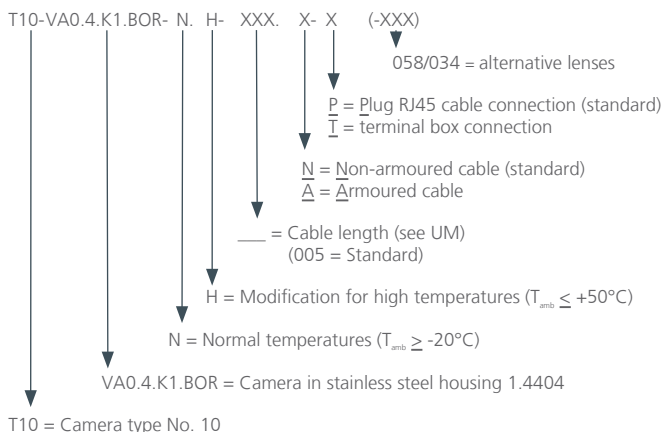
- ✓ 1/2.8" 2MP Sony STARVIS CMOS-Sensor
- ✓ High Light Sensitivity with 0.05 Lux
- ✓ Resolution: FullHD 1920x1080p
- ✓ Day & Night Functionality
- ✓ Protection Level of IP66/68 (IEC 60529)
- ✓ Single-Cable-Solution (PoE)
- ✓ Dual-Streaming and Videocompression H.264



Dimensions [mm].



Models.



**Mechanical characteristics**

Protection level (camera/terminal box):
Weight:

Camera: stainless steel (AISI 316L/1.4404), terminal box: Polyester resin
IP66/68 / IP66 (IEC/EN 60529)
ca. 1.2 kg / 2.6 kg (with terminal box)

**Range of temperature**

-20°C bis +50°C

**Power supply**

PoE, IEEE 802.3af Type 1 Class 1, max. 2.5 W

**Connection cable type**

Outside diameter:

WWW.SAMCON.EU SKD01-T/ Cat.6 / 4x2xAWG22/1,
ASKD02-T/ Cat.6 / 4x2xAWG23/1..
9 mm - 12 mm

**Lens**

Type:
Field of view:
Light Sensitivity:
Minimum Object Distance (MOD):

Megapixel lens with fixed iris, fixed focus length, 4mm
Horizontal: 80°, vertical: 47°
Color: 0.05 lux
30 cm

**Lens options**

T10-VA.0.4.K1.BOR-N.H-XXX.X-X-058
T10-VA.0.4.K1.BOR-N.H-XXX.X-X-034

Megapixel lens 4.3 mm	F2.0	HAoV@16/9=58°
Megapixel lens 8 mm	F2.0	HAoV@16/9=34°

**Camera**

Image sensor:
Shutter setting:
Video compression:
Resolution:
Frame rate:
Video streaming:
Image settings:

1/2.8" CMOS Sony STARVIS, IMX307
ESC (automatic electronic shutter) 1/30000 s to 1/30 s
H.264, Motion JPEG
1920x1080 (16:9), 1280x720 (16:9), 960x540 (16:9), 640x480 (4:3), 320x240 (4:3)
Max. 25fps/30fps (PAL/NTSC)
Dual Stream, H.264 and MJPEG at the same time
Electronic day/night mode, white balance, D-WDR, digital noise reduction, 3D-DNR,
motion detection, mirror function, vertikal-flip, rotation

**Network**

Supported protocols:
Max. number of users:
API support

TCP/IP, HTTP, HTTPS, RTP, RTSP, UTP, DHCP, FTP, NTP, ARP, ICMP
4 users at the same time

**System integration**

Application programming interface:
Included analytics:

API support, ONVIF support, specification at onvif.org
Motion Detection

Optional accessories

Wall Mount Bracket (WMB), Pole mount Bracket (PMB), Weather Protection Roof (WPR),
non-armoured cable kits, armoured cable kits, ExConnection Rails, ...

Schillerstrasse 17
D-35102 Lohra-Altenvers

info@samcon.eu
T: +49 6426 9231-0
F: +49 6426 9231-31