

Pole Mount Bracket PMB-TNXCD

Datasheet.

Features.

Compatible

with all WMB Wall Mount Brackets.
For pole diameters of 100 mm to 150 mm.

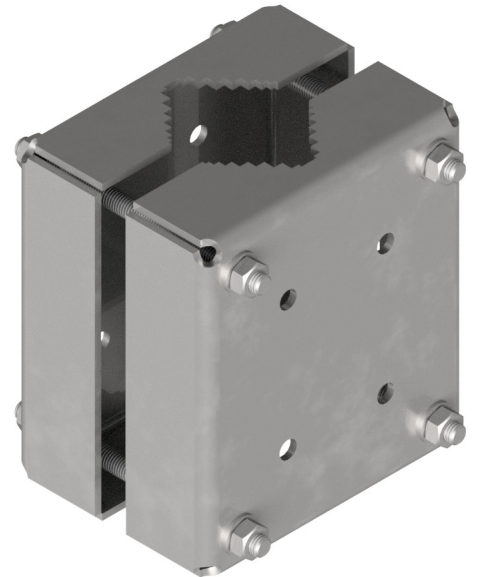
Data.

Mechanical Characteristics

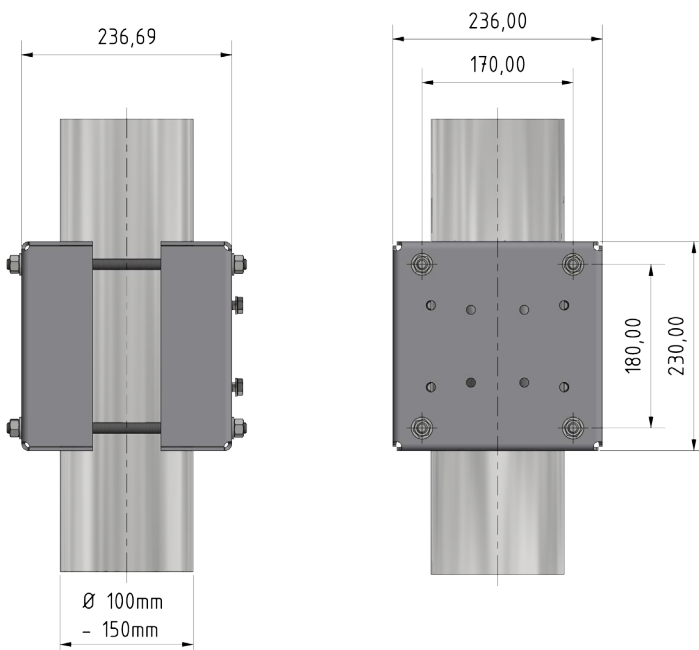
Material: Stainless steel AISI 316L/1.4404
Weight: 6.0 kg
Dimensions: WxHxD 236x230x210(max.)
Point load: 50 kg

Scope of Delivery

included
- 4 thread rods M12x260
- 4 screws M10x25
- 8 screw nut M12
- 8 flat washer M12
- 8 flat washer M10
- Installationmanual
- 4 screw nut M10



Dimensions [mm].



* Illustrations show models with accessories that are subjected to an extra charge.



Schillerstrasse 17
D-35102 Lohra-Altenvers

info@samcon.eu
T: +49 6426 9231-0
F: +49 6426 9231-31

© SAMCON GmbH All rights and technical changes reserved. No liability for wrong or missing data.