



SAMCON
Prozessleittechnik GmbH

Assembly Instruction

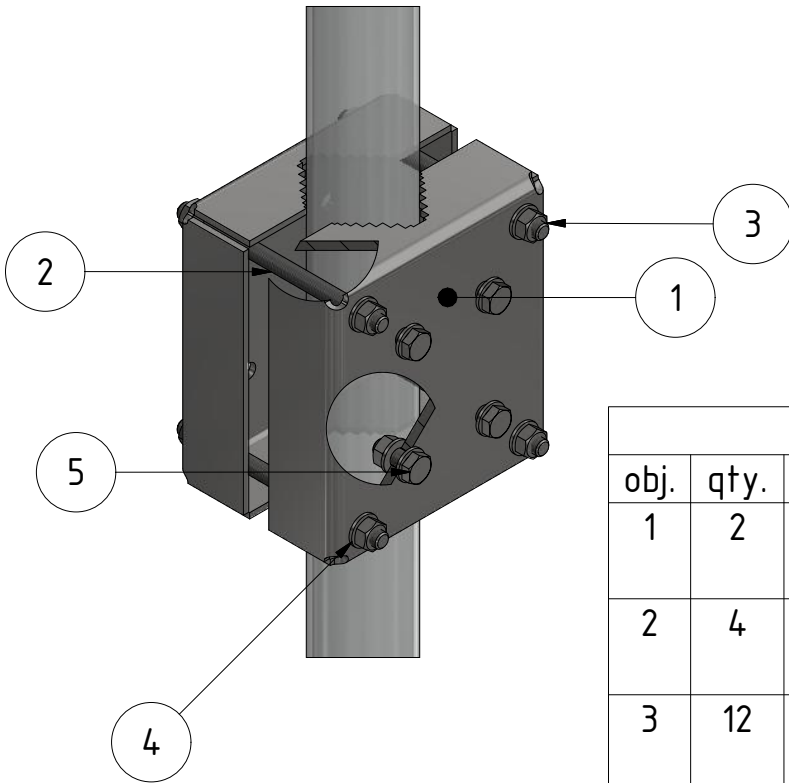
product: PMB-VA1&2
author: S. Weber
date: June 22, 2018
doc ID: 180622-PZUMA-SW-PMB-VA1&2_assembly
instruction_rev.02.idw



INTRO



What you need:	
Wrench	17mm
Torque wrench	17mm
Pole Ø	50mm to 105mm



ATTENTION:

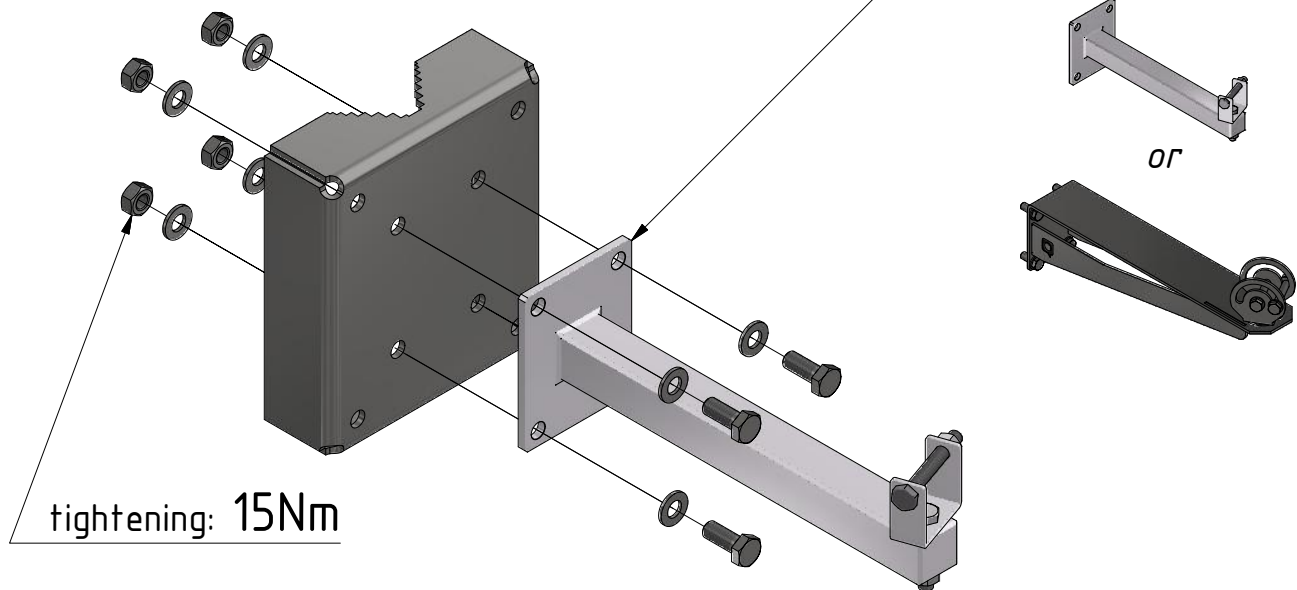
Please be careful when working at heights !



table of content			
obj.	qty.	part	material
1	2	PMB-VA1/2	stainless steel
2	4	Threaded rod M10x1,5x210	stainless steel
3	12	Nut ISO 4032 - M10	stainless steel
4	16	Washer DIN 125 - A 10,5	stainless steel
5	4	Threaded bolt ISO 4017 - M10 x 25	stainless steel

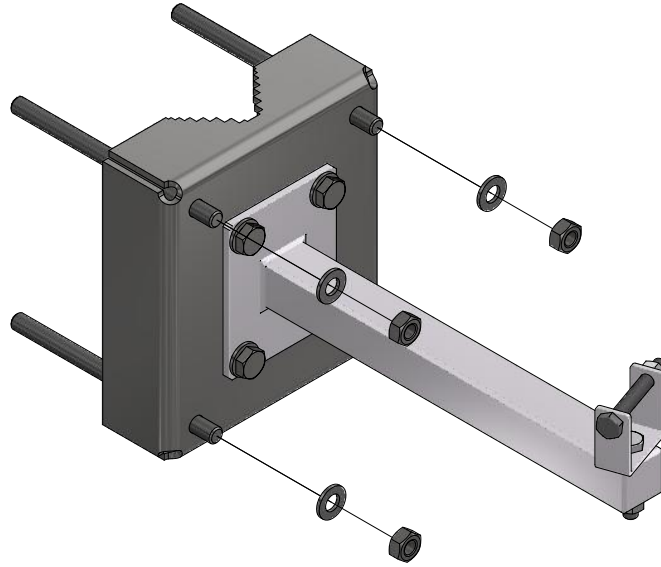
1

*External equipment
Please mount first!*

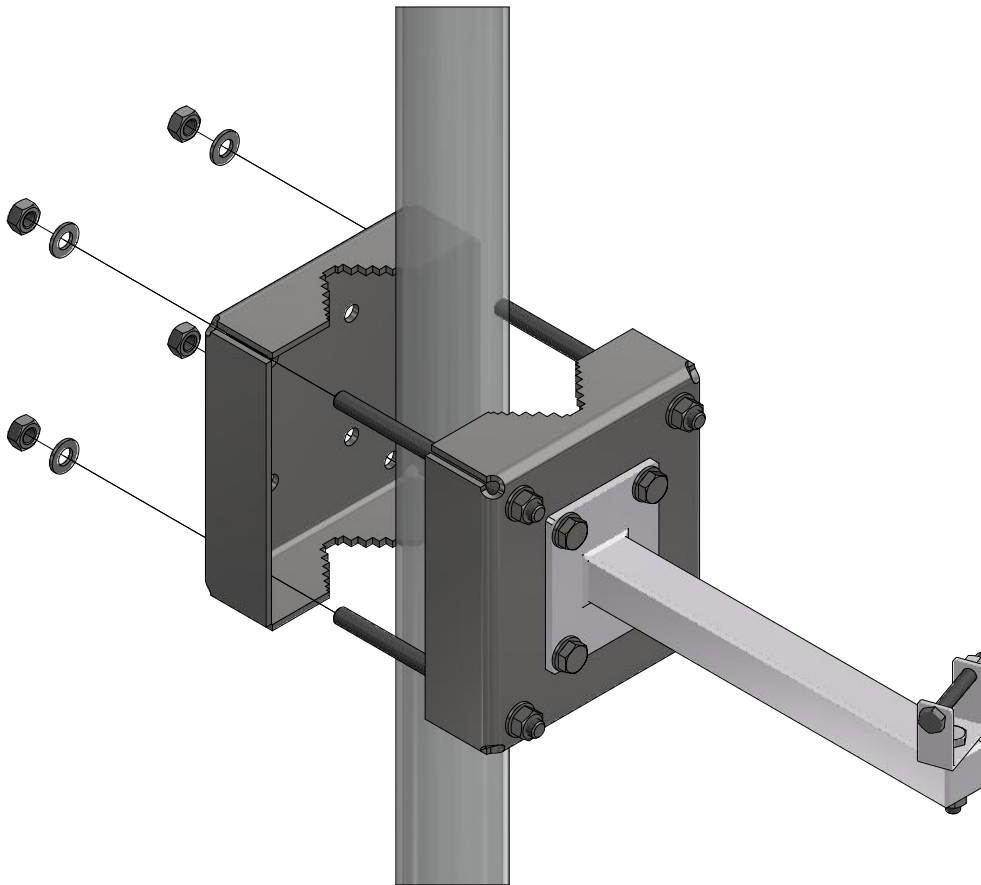


tightening: 15Nm

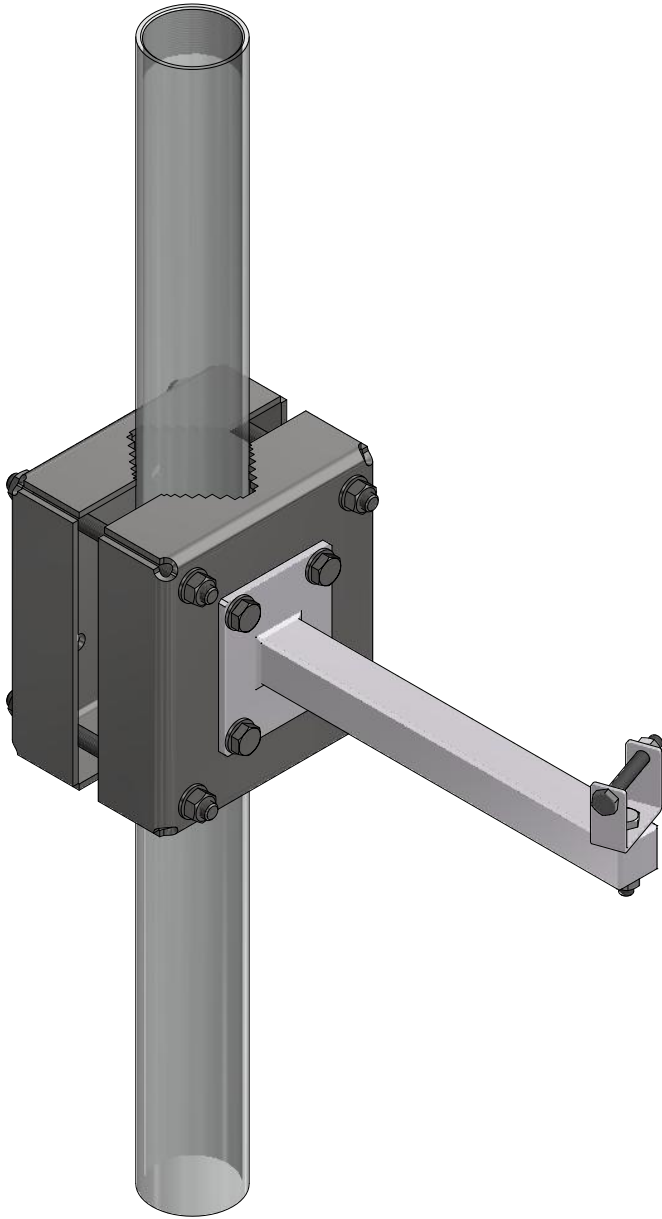
2

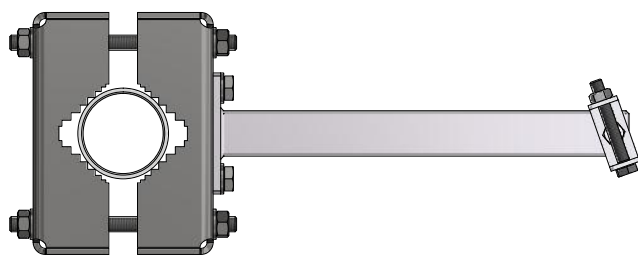
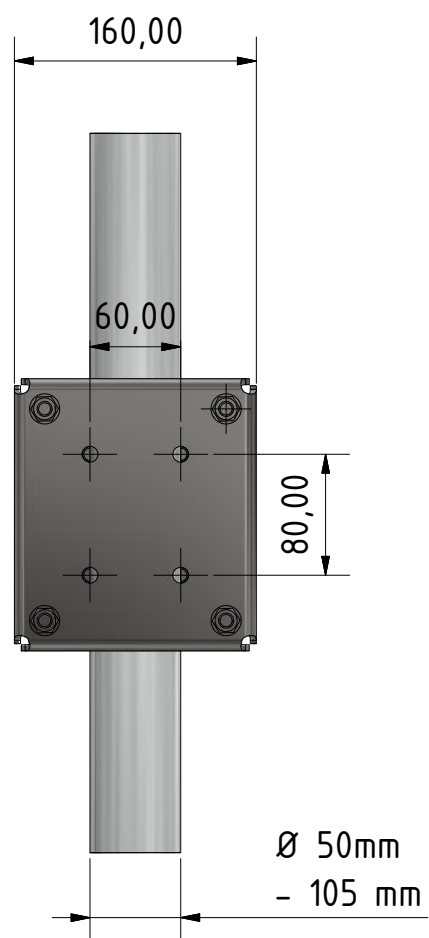
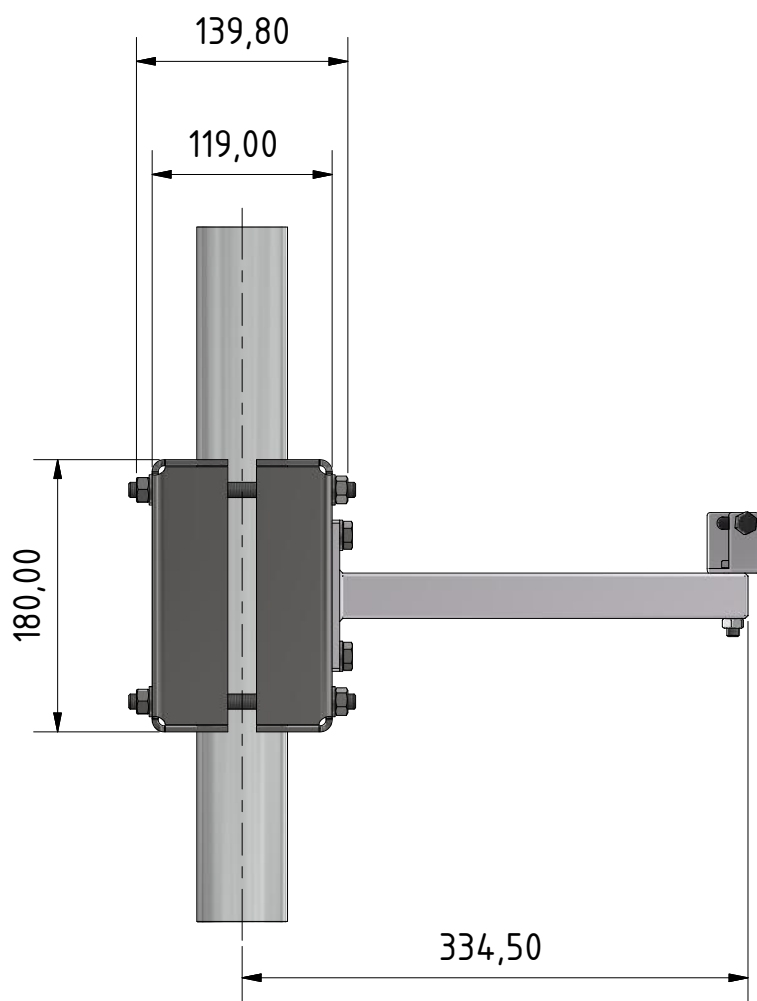


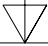
3





4







Note:
For more information see
other assembly instructions!







SAMCON

Prozessleittechnik GmbH

