

# Pole Mount Bracket PMB-VA0/1/2.x

## Datasheet.

### Features.

#### Compatible

with the WMB Wall Mount Brackets  
WMB-VA0.x/VA1.x and WMB-VA2.x.  
For pole diameters of 50 mm to 105 mm.

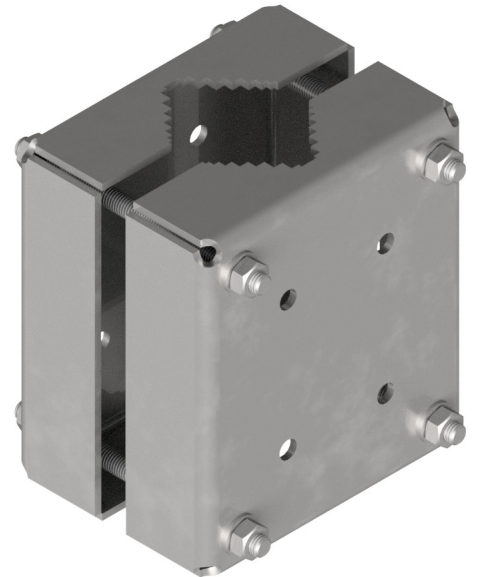
### Data.

#### Mechanical Characteristics

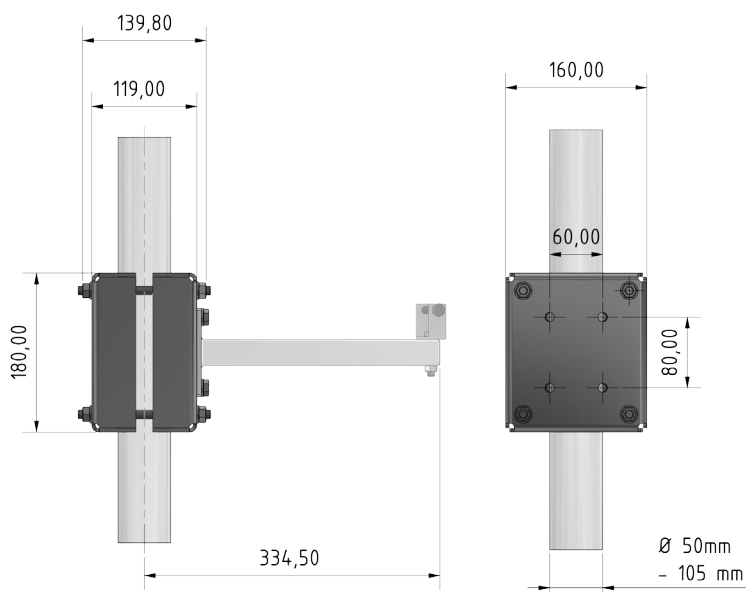
Material: Stainless steel AISI 316L/1.4404  
Weight: 3.8 kg  
Dimensions: WxHxD 160x180x210(max.)  
Point load: 50 kg

#### Scope of Delivery

included  
- 4 thread rods M10x210  
- 4 screws M10x25  
- 12 screw nut M10  
- 16 flat washer M10  
- Installationmanual  
- 1 screw M8x60



### Dimensions [mm].



\* Illustrations show models with accessories that are subjected to an extra charge.



Schillerstrasse 17  
D-35102 Lohra-Altenvers

info@samcon.eu  
T: +49 6426 9231-0  
F: +49 6426 9231-31

© SAMCON GmbH All rights and technical changes reserved. No liability for wrong or missing data.