

Hinge Attachment SCH-VA0.x/VA1.2

Datasheet.

Features.

Compatible

with all cameras of the ExCam/Rough Series with the model-key T08/T10-VA0.x and T08/T10-VA1.2.

For easy mounting on round sight glasses in accordance with DIN 28120/28121 (or similar).



Data.

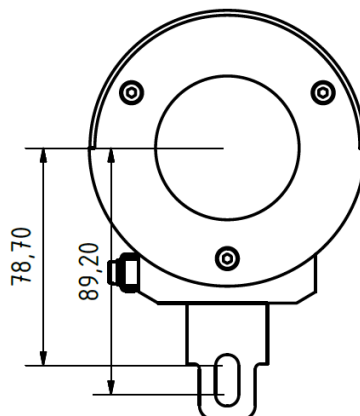
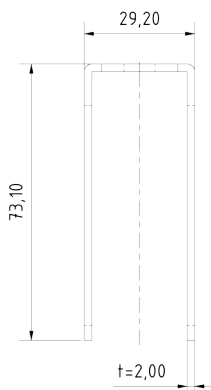
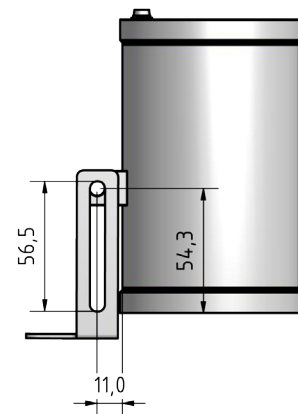
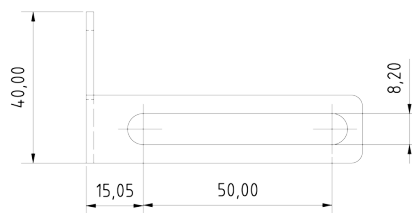
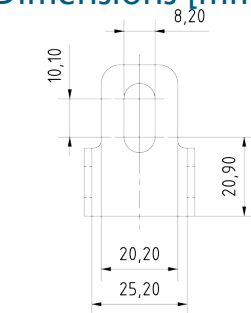
Mechanical Characteristics

Material: Stainless steel AISI 316L/1.4404
Weight: 0.04 kg
Dimensions WxHxD [mm]: 29.2x40x73.1

Scope of Delivery

includes mounting material
-1 threaded bolt M8x45
-1 nuts M8
-2 washers M8
-1 spring washer
- documentation

Dimensions [mm].



Schillerstrasse 17
D-35102 Lohra-Altenvers

info@samcon.eu
T: +49 6426 9231-0
F: +49 6426 9231-31