

Hinge Attachment SCH-VA2.1/VA2.2

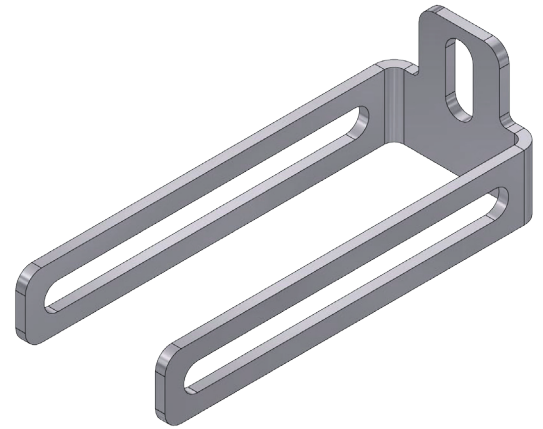
Datasheet.

Features.

Compatible

with all cameras of the ExCam Series with the model-key T08-VA2.1 and T08-VA2.2.

For easy mounting on round sight glasses in accordance with DIN 28120/28121 (or similar)..



Data.

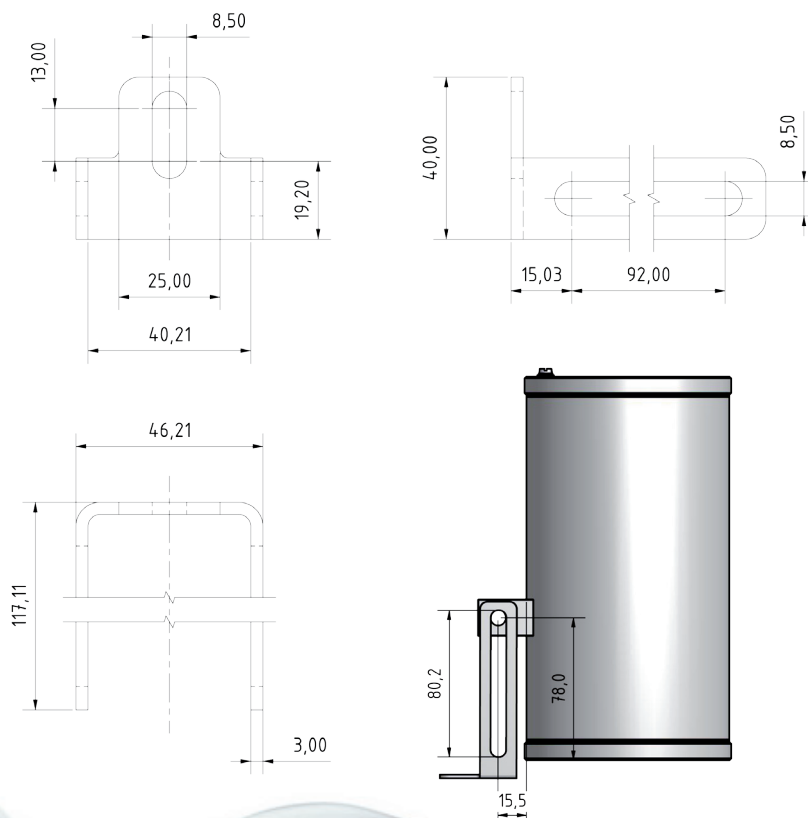
Mechanical Characteristics

Material: Stainless steel AISI 316L/1.4404
Weight: 0.1 kg
Dimensions WxHxD [mm]: 46.2x40x117.11

Scope of Delivery

includes mounting material
-1 threaded bolt M8x60
-1 nuts M8
-1 washer M8
-1 spring washer M8
-documentation

Dimensions [mm].



Schillerstrasse 17
D-35102 Lohra-Altenvers

info@samcon.eu
T: +49 6426 9231-0
F: +49 6426 9231-31

© SAMCON GmbH All rights and technical changes reserved. No liability for wrong or missing data.