

Wall Mount Bracket WMB-TNXCD

Datasheet.

Features.

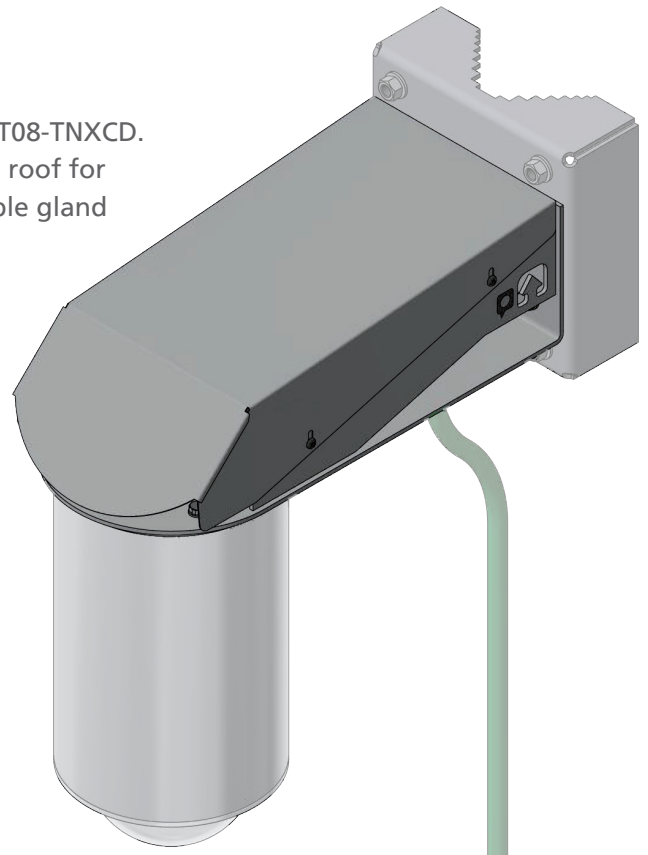
Compatible

with all cameras of the ExCam Series with the modelkey T08-TNXCD.
For easy hanging mounting. Includes weather protection roof for the wall mount bracket, protecting the cable and the cable gland according to 60079-14.

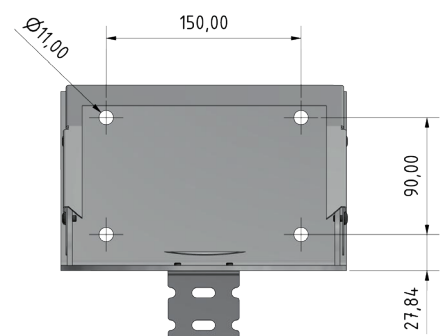
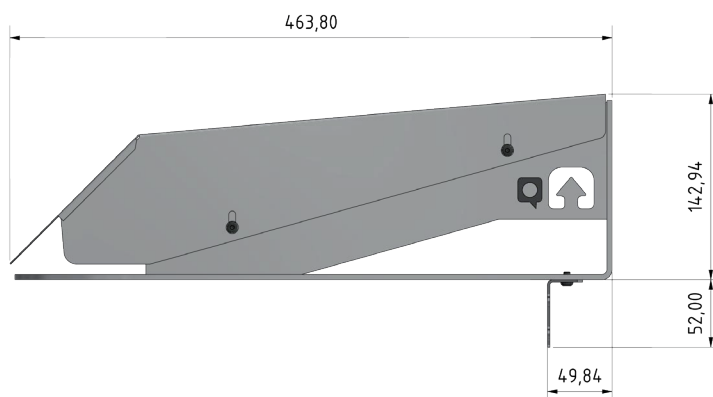
Data.

Mechanical Characteristics

Material: Stainless steel AISI 316L/1.4404
Weight: 7.8 kg
Point load: 50 kg
Dimensions: WxHxD 464x195x220 [mm]



Dimensions [mm].



Schillerstrasse 17
D-35102 Lohra-Altenvers

info@samcon.eu
T: +49 6426 9231-0
F: +49 6426 9231-31

© SAMCON GmbH All rights and technical changes reserved. No liability for wrong or missing data.