

# Wall Mount Bracket WMB-VA2.0/2.1/2.2

## Datasheet.

### Features.

#### Compatible

with all cameras of the ExCam Series with the model-keys T08-VA2.0, T08-VA2.1 and T08-VA2.2 and the corresponding models of the RoughCam Series T10.  
For easy mounting on wall or ceiling.



### Data.

#### Range

Manual pan angle: 360°

Manual tilt angle: 90°

#### Mechanical Characteristics

Material: Stainless steel AISI 316L/1.4404

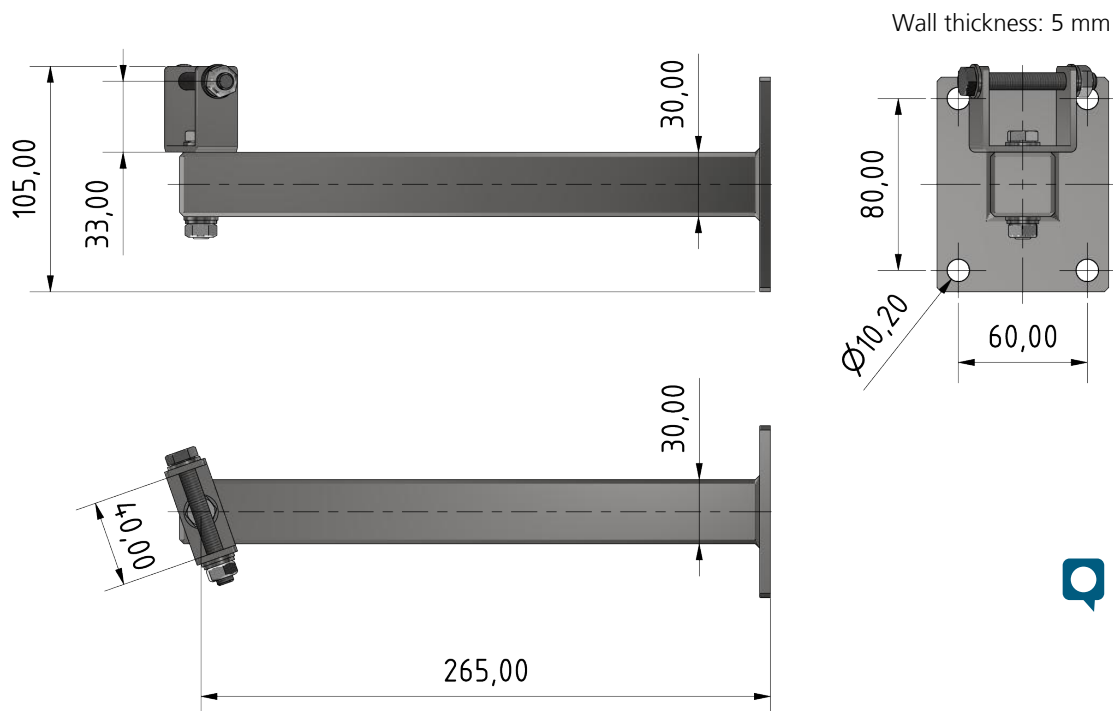
Weight: 0.77 kg

Load: 25 kg

Dimensions WxHxD [mm]: 80x100x275 (Mounting plate 80x100x5/Bracket arm 30x30x270)

**Scope of Delivery** includes hinge attachment and mounting material

### Dimensions [mm].



 **SAMCON**  
Prozessleittechnik GmbH

Schillerstrasse 17  
D-35102 Lohra-Altenvers

info@samcon.eu  
T: +49 6426 9231-0  
F: +49 6426 9231-31

© SAMCON GmbH All rights and technical changes reserved. No liability for wrong or missing data.