

# air.Blade

for housings ..VA1.x/VA2.x/VA4.x.BOR1



Pneumatic cleaning system for improved visibility in dusty environments

## Datasheet.

### Features.

#### Compatible with

ExCam T08-VA1.x  
ExCam T08-VA2.x (without WPR)  
ExCam T08-VA4.x.BOR1  
Not compatible with cool.Jacket.

RoughCam T10-VA1.x  
RoughCam T10-VA2.x (without WPR)  
RoughCam T10-VA4.x.BOR1

#### Concept

Pneumatic cleaning system for ExCam/RoughCam Series.

The air.Blade is attached to the front flange of the desired camera.

Dust is removed from the lens by using compressed air. The air flow can be regulated automatically or it can be controlled manually.

#### Customer specific requirements and conditions

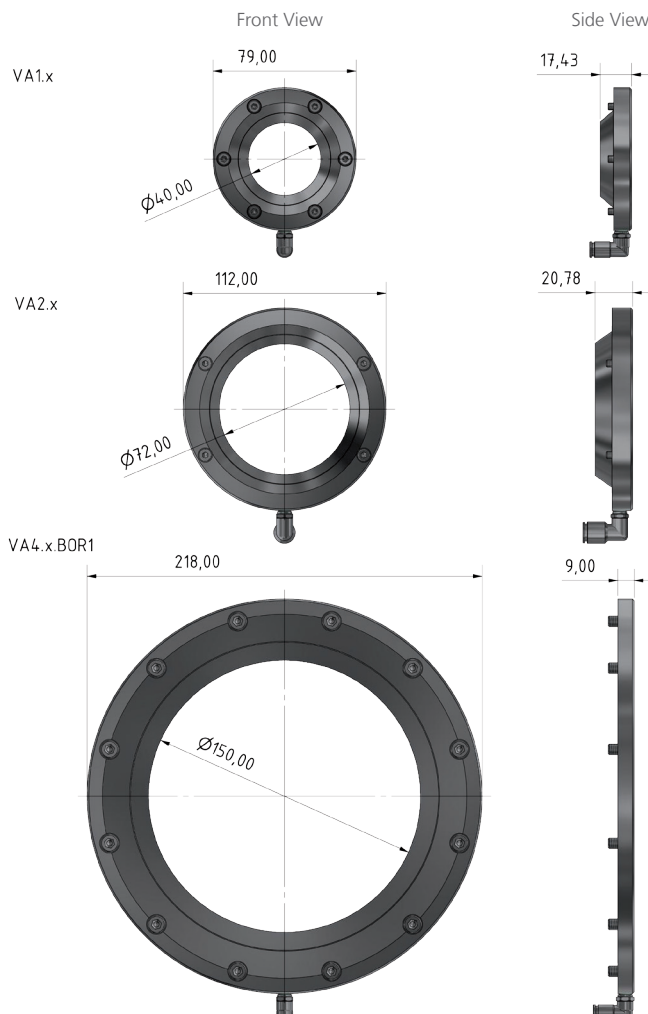
The air.Blade ends with a plug connection. The customer is responsible for the compressed air supply.

Only oil-free technically pure, dry air must be used. Attention in areas with combustible dusts:

Attention: The explosion risk zone may change by the insertion of compressed air! For this please refer to our [Booklet Areas at risk of dust-explosion.](#)



### Dimensions [mm].



### Zones.

Group II (gas & dust)	ATEX / IECEx / EAC-Ex				
Zone	0	1	2	21	22
Application	✗	✓	✓	✓	✓

### Data.

#### Mechanical characteristics

Material:

stainless steel (AISI 1.4404)

Weight:

0.24kg (air.Blade-VA1.x)  
0.43kg (air.Blade-VA2.x)  
1.2kg (air.Blade-VA4.x.BOR1)  
2-10bar

Pressure supply:

#### Permitted ambient temperature

-30°C to +150°C\*

#### Compressed air supply

8mm plug connection

#### Optional accessory

Polyurethane-hose  
8x5.7mm antistatic,.....

Air flow:

Q [l/min]	2 bar	5 bar	8 bar
VA1.x	40	>70	>70
VA2.x	32	>70	>70
VA4.x.BOR1	30	50	>70



Schillerstrasse 17  
D-35102 Lohra-Altenvers

info@samcon.eu

T: +49 6426 9231-0

F: +49 6426 9231-31

\* = the temperature range may be restricted by the T08-device

\*\* = illustration shows air.Blade mounted on a camera. Camera is not included.

Please observe: Restriction of the angle of view is possible. The horizontal angle of view depends on the camera modul.

© SAMCON GmbH All rights and technical changes reserved. No liability for wrong or missing data