

cam.Cleaner



Datasheet.

Compact ATEX & IECEx certified Ex-Wash Unit

Features.

- ✓ Certification for **Hazardous Areas** (ATEX & IECEx)
- ✓ Compatible with all SAMCON ExCam Cameras
- ✓ Controllable via selected Cameras (ExCam ...-W)
- ✓ Plug & Play Process Connection
- ✓ Washing Water Supply for 1 Camera



Zones.

Group II (Gas & Dust)	ATEX / IECEx				
	0	1	2	21	22
For use in	✗	✓	✓	✓	✓

More certificates on request

Models.

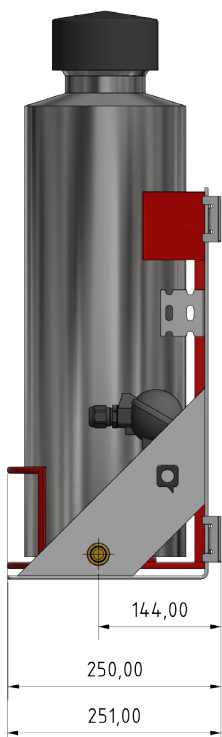
T05- 1- 24 - XDR -X.N

↓ N = No low temperature valves (-10°C)
 ↓ LL = Valves for low temperatures (-30°C)

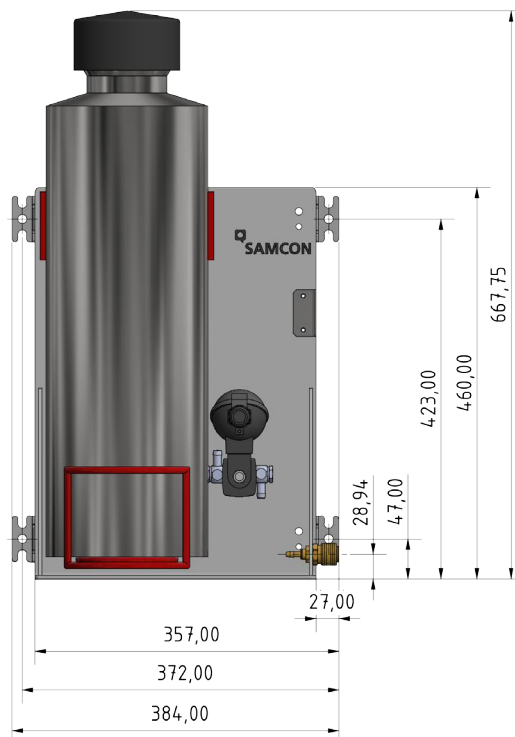
↓ 1DR = 1 watertank
 ↓ 24 = Power supply 24 VDC
 ↓ 1 = 1 x water output for camera
 ↓ T05 = Type No. 05, Connection Rail

Dimensions [mm].

Side View



Front View



Data.



Explosion protection

Declaration of conformity:

DIN EN/IEC ... 60079-0, DIN EN/IEC ... 60079-1,
DIN EN/IEC ... 60079-18, DIN EN/IEC ... 60079-31
EPS 18 ATEX 1 232 X,
IECEx EPS 18.0110X



Ex- Certificates valve:

Ex- Marking:
Explosion protection (gas):
Explosion protection (dust):

II 2G Ex eb mb IIC T4 Gb
 II 2D Ex mb tb IIIC T130°C Db



Housing material

Protection level:
Weight:

Stainless Steel (AISI 304L/1.4301)
IP65 (IEC 60529)
15 kg (with tank)
25 kg (with filled tank)



Max. tubing length:
Max. head of water:

$l_{max} = 50 \text{ m}$
 $h_{max} = 35 \text{ m (@ 5 bar)}$



Range of temperature

T05-1-24-1DR-N.N:
T05-1-24-1DR-LL.N:

-10°C bis +55°C
-30°C bis +55°C



Elektrical characteristics

Power supply:

24 VDC (max. 9W)



Valve

Coil data:
Clamping range:
Supply line cross section max.:
Pressure min/max:
Fluid temperature range:

AC10-U3-6 PX58 JA13
3G2.5
7-13mm² (cable gland)
5 bar (≈72.5psi≈500kPa) (fluid)
-30°C to +80°C (depends on freezing temperature**)

Tank

Pressure max:
Volume:
Connection:

5 bar (air)
10 liters
Coupling socket NW7.2

Optional accessories

Cable- and Tube- Kits, ...

cam.Cleaner



SAMCON

Prozessleittechnik GmbH

Schillerstrasse 17
D-35102 Lohra-Altenvers

info@samcon.eu
T: +49 6426 9231-0
F: +49 6426 9231-31



* = Illustrations show models with tank

** = Only use suitable antifreeze agents (see user manual)