



# SAMCON

Prozessleittechnik GmbH

## Assembly instruction

product: water.Blade-VA2.x

author: S. Weber

date: Jan 20, 2022

doc ID: 220120-PT95MA-SW-water.Blade-VA2.x\_assembly  
instruction\_rev.00.idw

passing:



# INTRO

What you need:	
Allen wrench	3,0 mm
Tourque-allen wrench	3,0 mm



**ATTENTION:**  
Please be careful when working at heights !

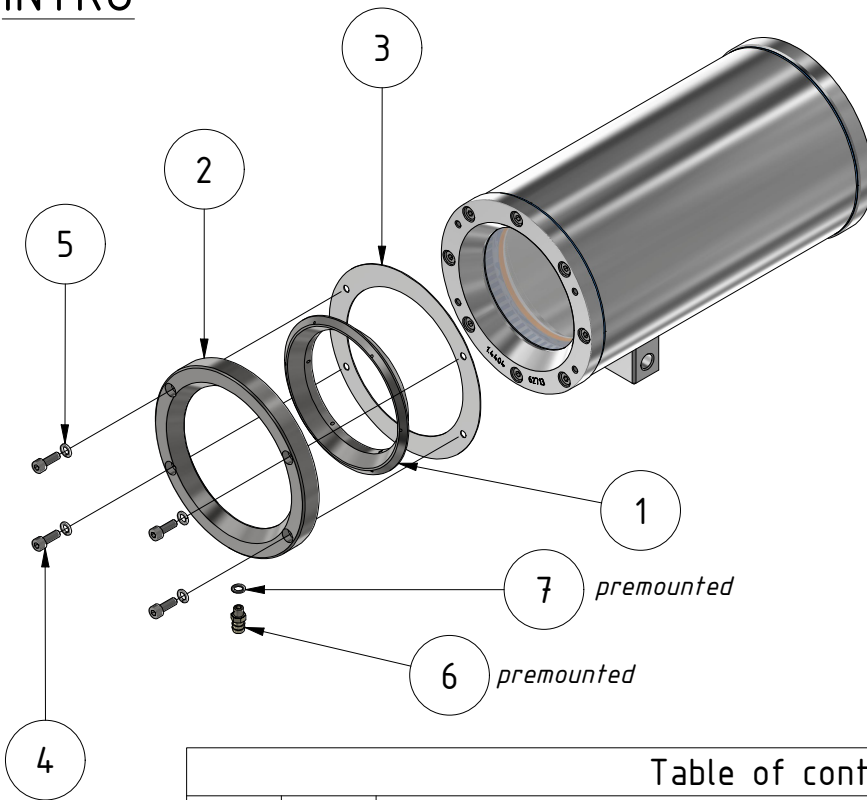
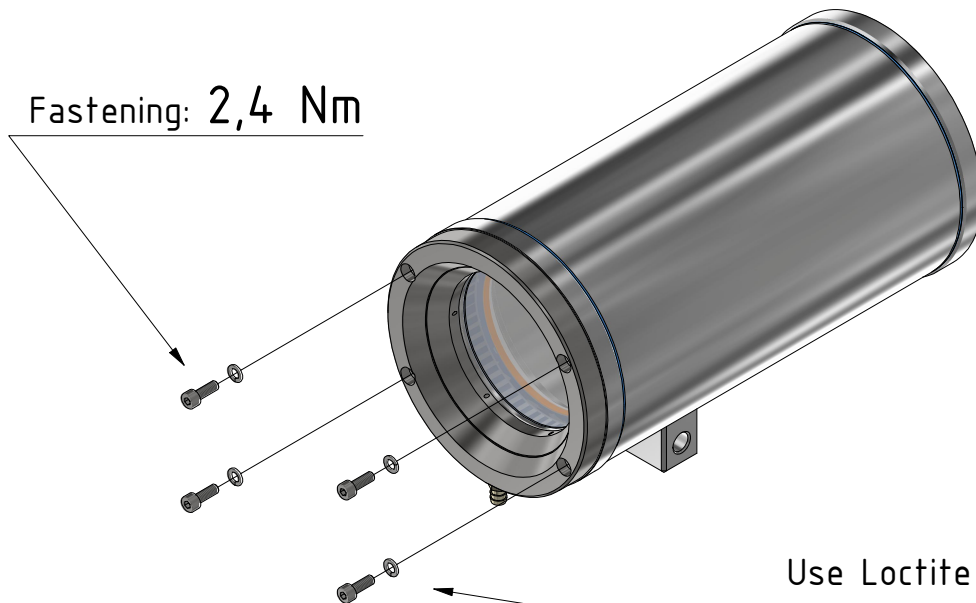


Table of content			
obj.	qty.	part	material
1	1	water.Blade inner part	Stainless steel
2	1	water.Blade outer part	Stainless steel
3	1	water.Blade sealing	PTFE
4	4	Threaded bolt DIN EN ISO 4762 M4 x 12	Stainless steel
5	4	Washer DIN 128 A4	Stainless steel
6	1	Hose tail (6 mm)	Nickel-plated brass
7	1	O-ring sealing	NBR-70

1

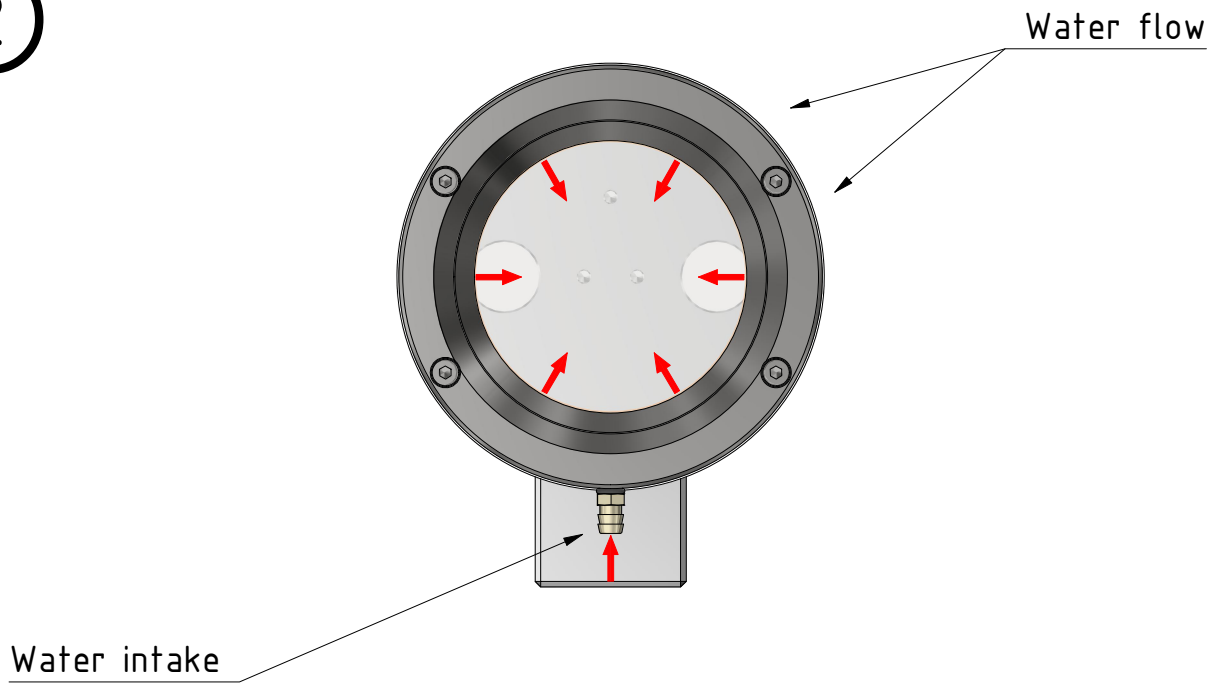
Fastening: **2,4 Nm**



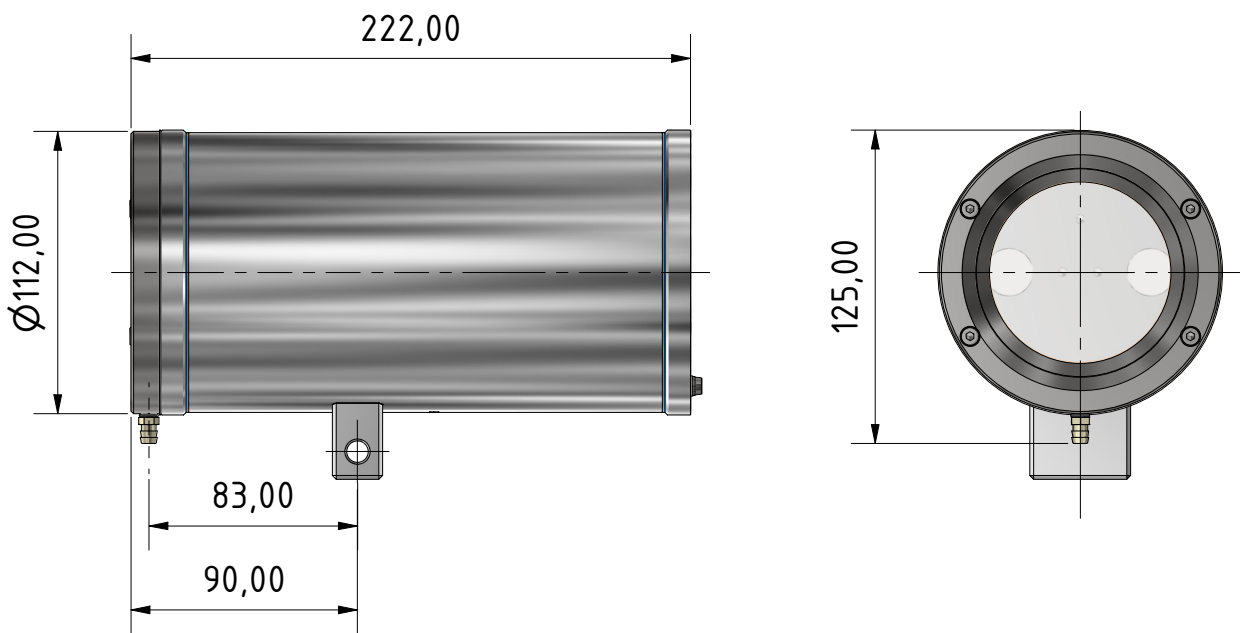
Use Loctite 243  
thread lock !



2



Dimensions VA2.1.K1.B0R:



Note:

For more information visit  
[www.samcon.eu](http://www.samcon.eu) !



**SAMCON**

Prozessleittechnik GmbH

